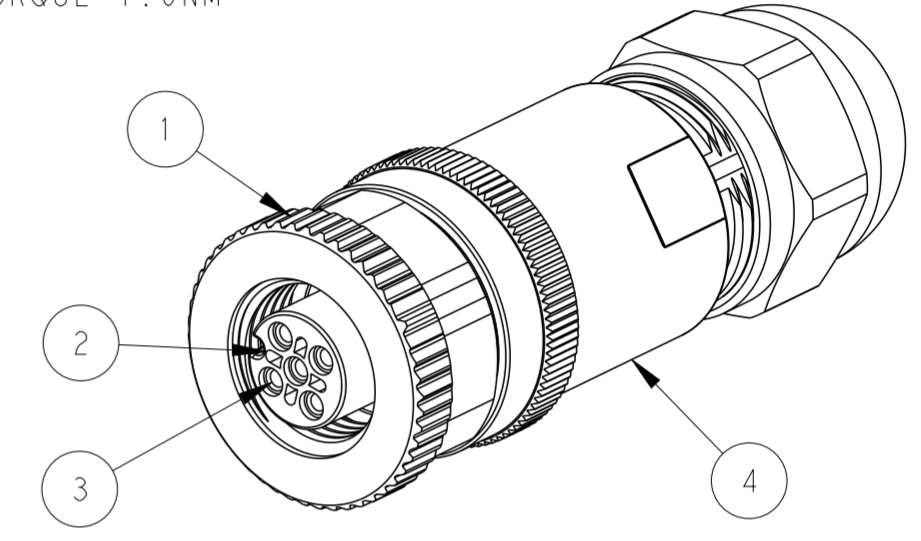
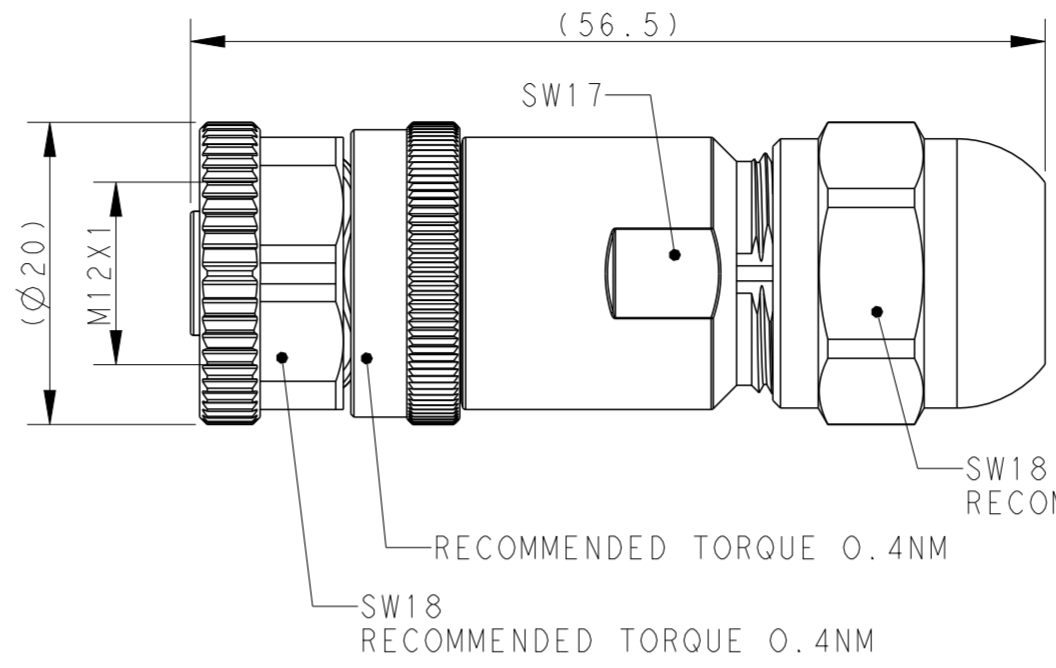
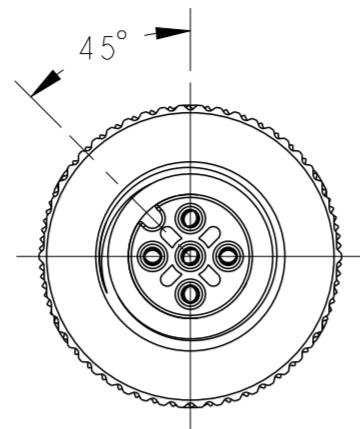


THIS DRAWING IS UNPUBLISHED. RELEASED FOR PUBLICATION 20
 © COPYRIGHT 20 BY - ALL RIGHTS RESERVED.

REVISIONS					
P	LTR	DESCRIPTION	DATE	DWN	APVD
A1		ECR-16-013861	19OCT2016	N.P	X.X
A2		ECR-16-016026	14NOV2016	N.P	X.X
A3		ECR-19-006141	02JUL2020	GW	CW
B		ECR-22-132011	26AUG2022	BP	CW



TECHNICAL DATA	T411001X02X-000	T411001X03X-000	T411001X04X-000	T411001X05X-000	T411001208X-000
RATED VOLTAGE	250V	250V	250V	60V	30V
RATED CURRENT	4A	4A	4A	4A	2A
POLLUTION DEGREE	3	3	3	3	3
OVERVOLTAGE CATEGORY	II	II	II	II	II
MATERIAL GROUP	II	II	II	II	II
CONTACT RESISTANCE	≤10mΩ	≤10mΩ	≤10mΩ	≤10mΩ	≤10mΩ
INSULATION RESISTANCE	>100MΩ	>100MΩ	>100MΩ	>100MΩ	>100MΩ
DEGREE OF PROTECTION	IP67	IP67	IP67	IP67	IP67
OPERATION TEMPERATURE	-40~85°C	-40~85°C	-40~85°C	-40~85°C	-40~85°C

NOTE:
 1. MATERIAL:
 ITEM NO.1: NUT - ZINC DIE-CAST, NICKEL PLATED
 ITEM NO.2: HOUSING - PA
 ITEM NO.3: CONTACT - BRONZE
 ITEM NO.4: HOUSING BODY: - ZINC DIE-CAST, NICKEL PLATED
 2. CONTACT FINISH:
 GOLD OVER NICKEL OR SILVER OVER NICKEL
 3. CABLE WIRES:
 FOR 2~5 PIN:
 24AWG/0.25mm²...18AWG/0.75mm² (WITHOUT FERRULE)
 26AWG/0.14mm²...20AWG/0.50mm² (WITH FERRULE)
 FOR 8 PIN:
 24AWG/0.25mm²...20AWG/0.50mm² (WITHOUT FERRULE)
 26AWG/0.14mm²...22AWG/0.34mm² (WITH FERRULE)
 4. ALL DIMENSIONS ARE FOR NOMINAL REFERENCE ONLY UNLESS OTHERWISE STATED
 5. PACKAGEING: 1PIECE IN A BAG
 6. PN INFORMATION

PIN ARRANGEMENT A-CODE		
T411001X02X-000	T411001X03X-000	T411001X04X-000
T411001X05X-000	T411001208X-000	

T4110012081-000	RPC-M12-FS-8CON-PG9-SHU
T4110011081-000	RPC-M12-FS-8CON-PG7-SHU
T4110012082-000	RPC-M12-FS-8CON-PG9-SH
T4110011082-000	RPC-M12-FS-8CON-PG7-SH
T4110012051-000	RPC-M12-FS-5CON-PG9-SHU
T4110011051-000	RPC-M12-FS-5CON-PG7-SHU
T4110012052-000	RPC-M12-FS-5CON-PG9-SH
T4110011052-000	RPC-M12-FS-5CON-PG7-SH
T4110012041-000	RPC-M12-FS-4CON-PG9-SHU
T4110011041-000	RPC-M12-FS-4CON-PG7-SHU
T4110012042-000	RPC-M12-FS-4CON-PG9-SH
T4110011042-000	RPC-M12-FS-4CON-PG7-SH
T4110012031-000	RPC-M12-FS-3CON-PG9-SHU
T4110011031-000	RPC-M12-FS-3CON-PG7-SHU
T4110012032-000	RPC-M12-FS-3CON-PG9-SH
T4110011032-000	RPC-M12-FS-3CON-PG7-SH
T4110012021-000	RPC-M12-FS-2CON-PG9-SHU
T4110011021-000	RPC-M12-FS-2CON-PG7-SHU
T4110012022-000	RPC-M12-FS-2CON-PG9-SH
T4110011022-000	RPC-M12-FS-2CON-PG7-SH
TE PN	TYPE

T411001XXXX-000
 CONTACT FINISH:
 1: GOLD OVER NICKEL
 2: SILVER OVER NICKEL
 NUMBERS OF PINS:
 02: 2 PINS
 03: 3PINS
 04: 4 PINS
 05: 5PINS
 08: 8 PINS
 CABLE OUTLET:
 1: PG7(CABLE FEED: 4-6mm)
 2: PG9(CABLE FEED: 6-8mm)

THIS DRAWING IS A CONTROLLED DOCUMENT.		DWN Nick Pan 24AUG2015	TE Connectivity		
DIMENSIONS: mm		CHK Kobby Zhao 24AUG2015			
TOLERANCES UNLESS OTHERWISE SPECIFIED:		APVD Xiang Xu 24AUG2015	NAME M12 FEMALE, A CODE, STRAIGHT SHIELDED CONNECTOR SCREW TERMINAL		
0 PLC ±		PRODUCT SPEC 108-106140	SIZE A2		
1 PLC ±0.25		APPLICATION SPEC 114-137144	CAGE CODE -		
2 PLC ±0.15		WEIGHT -	DRAWING NO C-T411001XXXX000		
3 PLC ±		CUSTOMER DRAWING	RESTRICTED TO		
4 PLC ±		SCALE 1:1	SHEET 1 OF 1		
ANGLES ±			REV B		
FINISH -					