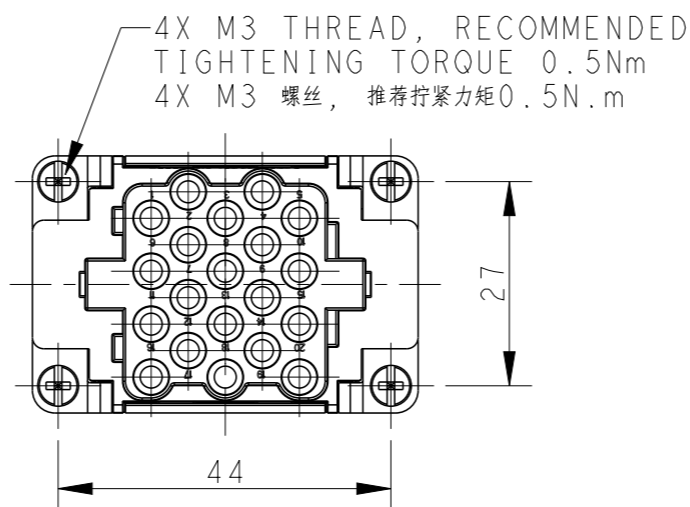
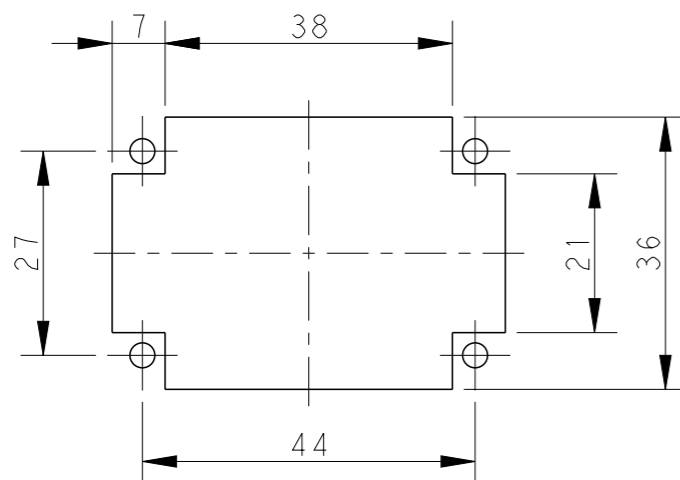
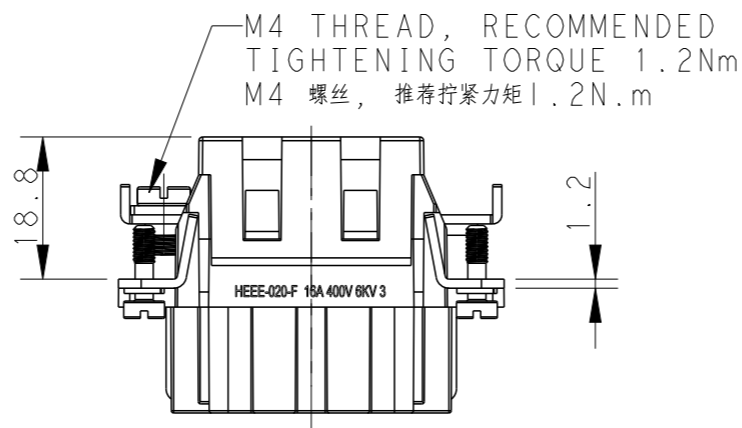
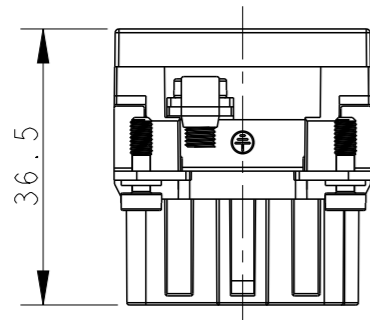
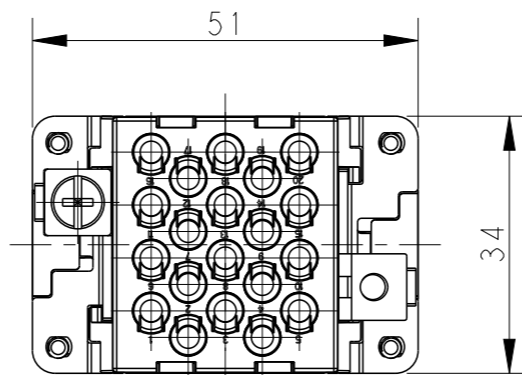
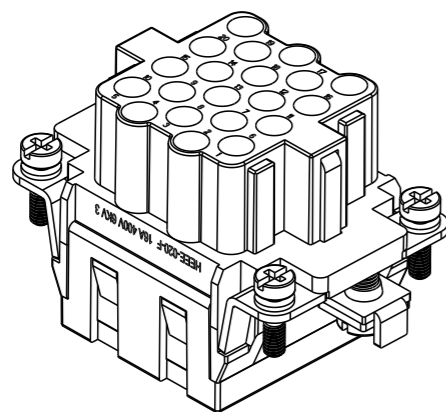


REVISIONS

P	LTR	DESCRIPTION	DATE	DWN	APVD
A		INITIAL RELEASE	18DEC2014	HMR	CW
B		ECR-15-015267	19OCT2015	DW	CW
B1		ECR-19-012251	05SEP2019	WQR	CW



NOTES:


- TECHNICAL CHARACTERISTICS:
 INSULATION MATERIAL: PC
 RATED VOLTAGE: 400V
 RATED CURRENT: 16A
 INSULATION RESISTANCE: $\geq 400M\Omega$
 RATED IMPULSE VOLTAGE: 6KV
 POLLUTION DEGREE: 3
 FLAMMABILITY: UL94V-0
 MATING CYCLES: 500 CYCLES
 WIRE RANGE: $0.14mm^2 \sim 4mm^2$ (AWG26-AWG12)
 CONTACT TYPE: CRIMP CONTACT
- CONTACTS NEED TO BE ORDERED SEPARATELY.
 (ORDER No. REFER TO DRAWING: T20300X20XX000)

注释:

- 技术参数:
 绝缘材料: PC
 额定电压: 400V
 额定电流: 16A
 绝缘电阻: $\geq 400M\Omega$
 脉冲电压: 6KV
 污染等级: 3
 阻燃等级: UL94V-0
 插拔次数: 500次
 接线范围: $0.14mm^2 \sim 4mm^2$ (AWG26-AWG12)
 接线类型: 冷压接
- 端子需要单独订购。
 (订货号参考图面: T20300X20XX000)

PANEL CUT FOR INSERTS FOR USE
 WITHOUT HOODS/ HOUSINGS
 不使用防护外壳时芯件的安装开孔图

T2059202201-000	HEEE-020-F	HEEE-020 FEMALE INSERT, NO LOGO HEEE-020母插, 无LOGO
PART NUMBER 料号	PART DESCRIPTION 描述	

THIS DRAWING IS A CONTROLLED DOCUMENT.		DWN 18DEC2014 RAGHAVENDRA H M	 TE Connectivity	
DIMENSIONS: mm		CHK 18DEC2014 CHRIS WANG		
TOLERANCES UNLESS OTHERWISE SPECIFIED:		APVD 18DEC2014 XU XIANG	NAME HEEE-020 FEMALE INSERT, NO LOGO	
0 PLC \pm -		PRODUCT SPEC 108-137068	SIZE	
1 PLC \pm -		APPLICATION SPEC 114-137068	CAGE CODE	
2 PLC \pm -		WEIGHT	DRAWING NO	
3 PLC \pm -		Customer Drawing	A300779	
4 PLC \pm -			SCALE 1:1	
ANGLES \pm -			SHEET 1 OF 1	
FINISH			DRAWING NO T2059202201000	
MATERIAL			RESTRICTED TO	
			REV B1	