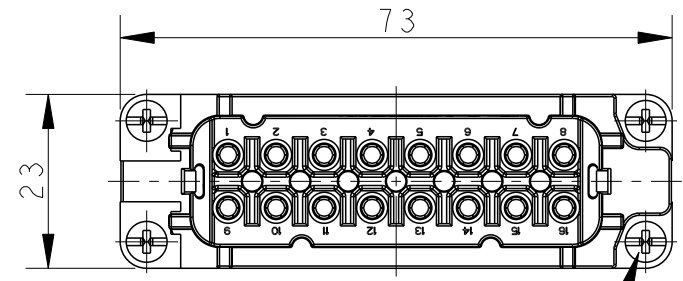
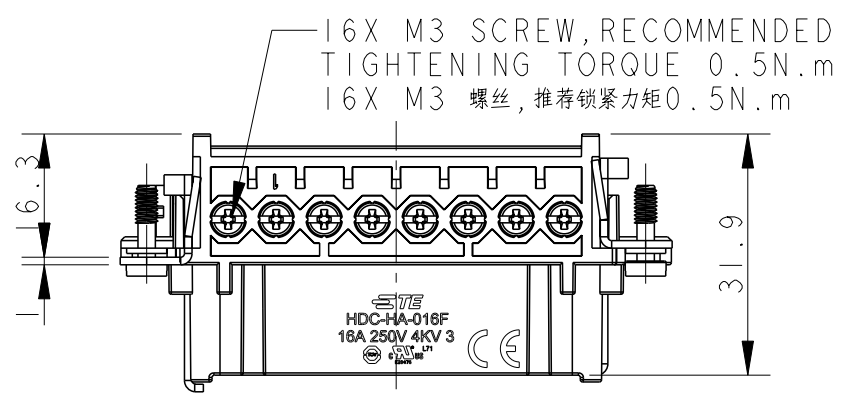
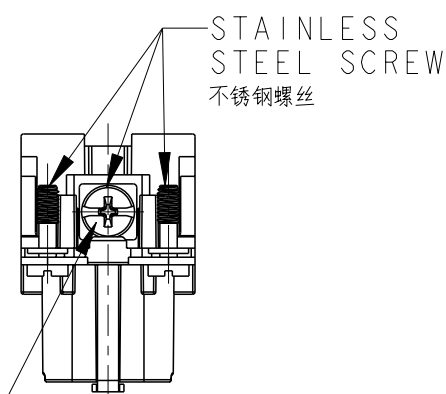
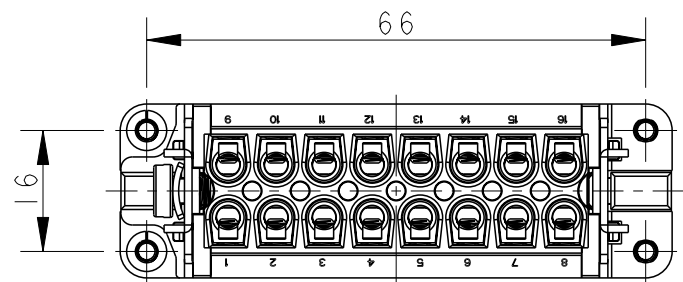
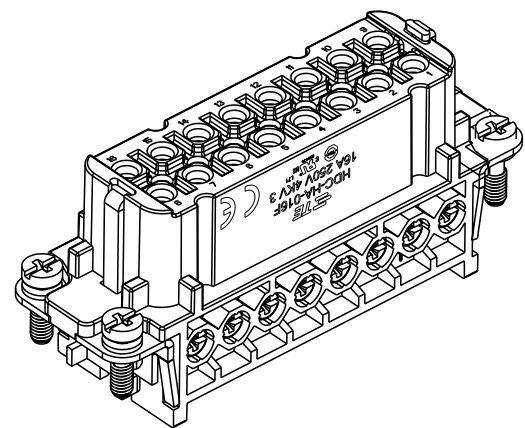


THIS DRAWING IS UNPUBLISHED. RELEASED FOR PUBLICATION 20
 © COPYRIGHT 20 BY - ALL RIGHTS RESERVED.

REVISIONS				
P	LTR	DESCRIPTION	DATE	APVD
	B	INITIAL	12DEC2017	YC CW
	C	ECR-20-016101	09JUN2021	BS CW

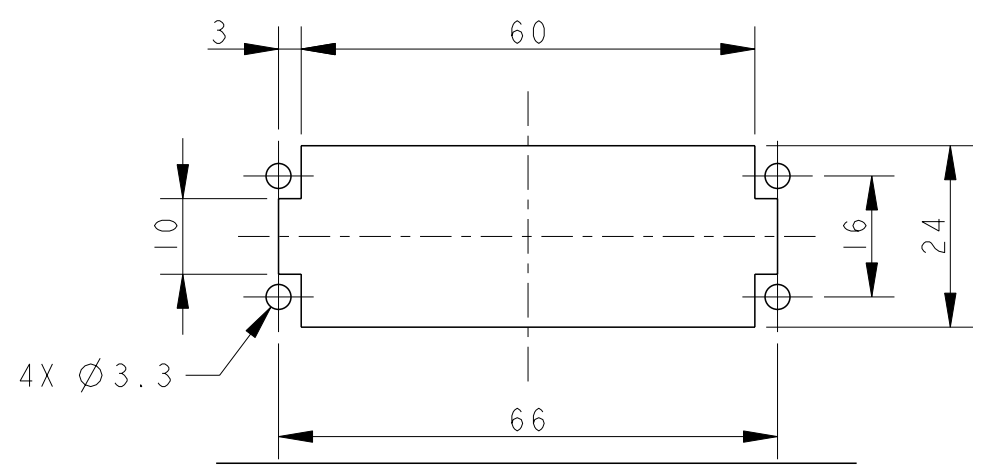


NOTES:
 1. TECHNICAL CHARACTERISTICS:
 INSULATION MATERIAL: PC
 RATED VOLTAGE: 250V
 RATED CURRENT: 16A
 INSULATION RESISTANCE: $\geq 400M\Omega$
 RATED IMPULSE VOLTAGE: 4KV
 POLLUTION DEGREE: 3
 FLAMMABILITY: UL94V-0
 MATING CYCLES: 500 CYCLES
 WIRE RANGE: 0.5-2.5 mm² (20-14 AWG)
 CONTACT TYPE: SCREW CONTACT

注释:
 1. 技术参数:
 绝缘材料: PC
 额定电压: 250V
 额定电流: 16A
 绝缘电阻: $\geq 400M\Omega$
 额定脉冲电压: 4KV
 污染等级: 3
 阻燃等级: UL94V-0
 插拔次数: 500次
 接线范围: 0.5-2.5 mm² (18-14 AWG)
 接线类型: 螺丝连接

M4 SCREW, RECOMMENDED
 TIGHTENING TORQUE 1.2N.m
 M4螺丝, 推荐锁紧力矩1.2N.m

4X M3 SCREW, RECOMMENDED
 TIGHTENING TORQUE 0.5N.m
 4X M3 螺丝, 推荐锁紧力矩0.5N.m



PANEL CUT FOR INSERTS FOR USE
 WITHOUT HOODS/ HOUSINGS
 不使用防护外壳时芯件的安装开孔图

T2010162201-002	HA-016-F	HA-016 FEMALE INSERT, STAINLESS STEEL GROUNDING SCREW HA-016 母插, 不锈钢接地螺丝
PART NUMBER 料号	PART DESCRIPTION 描述	

THIS DRAWING IS A CONTROLLED DOCUMENT.		DWN 12DEC2017 YORK CHEN	TE Connectivity	
		CHK 12DEC2017 GINO YAO		
		APVD 12DEC2017 CHRIS WANG		
		PRODUCT SPEC 108-137045		
DIMENSIONS: mm		TOLERANCES UNLESS OTHERWISE SPECIFIED:		NAME HA-016-F
		0 PLC ±-	1 PLC ±-	SIZE
		2 PLC ±-	3 PLC ±-	CAGE CODE
		4 PLC ±-	ANGLES ±-	DRAWING NO
MATERIAL		FINISH		RESTRICTED TO
				A300779
				C-T2010162201002
				SCALE 1:1
				SHEET 1 OF 1
				REV C
				CUSTOMER DRAWING

printed on 18 Jun 2021 14:39 (China Standard Time) from TE236667