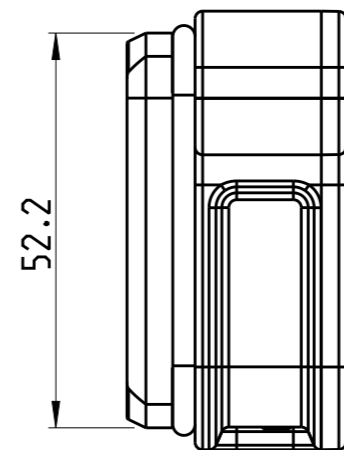
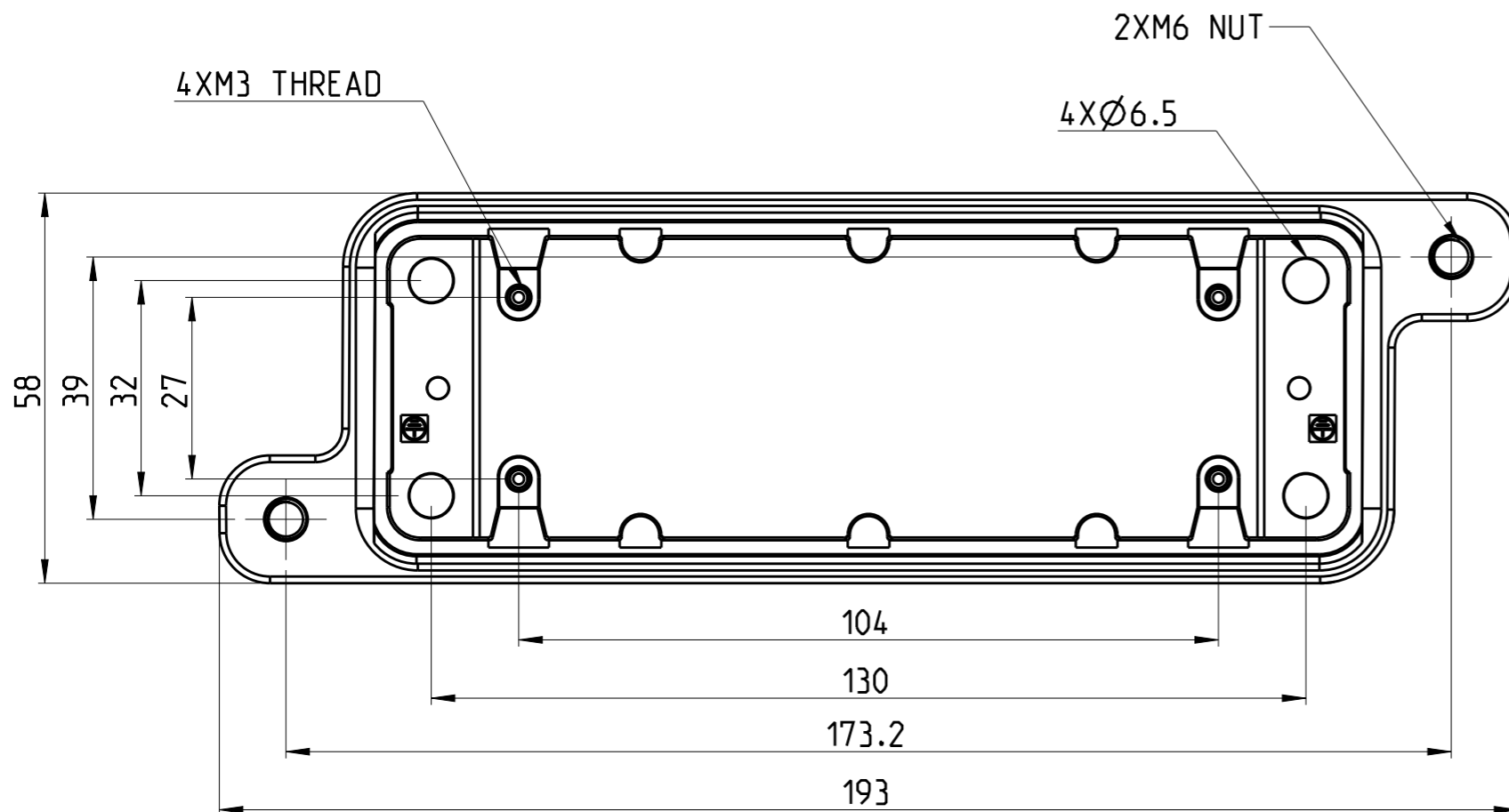


THIS DRAWING IS UNPUBLISHED. RELEASED FOR PUBLICATION 20  
 © COPYRIGHT 20 BY - ALL RIGHTS RESERVED.

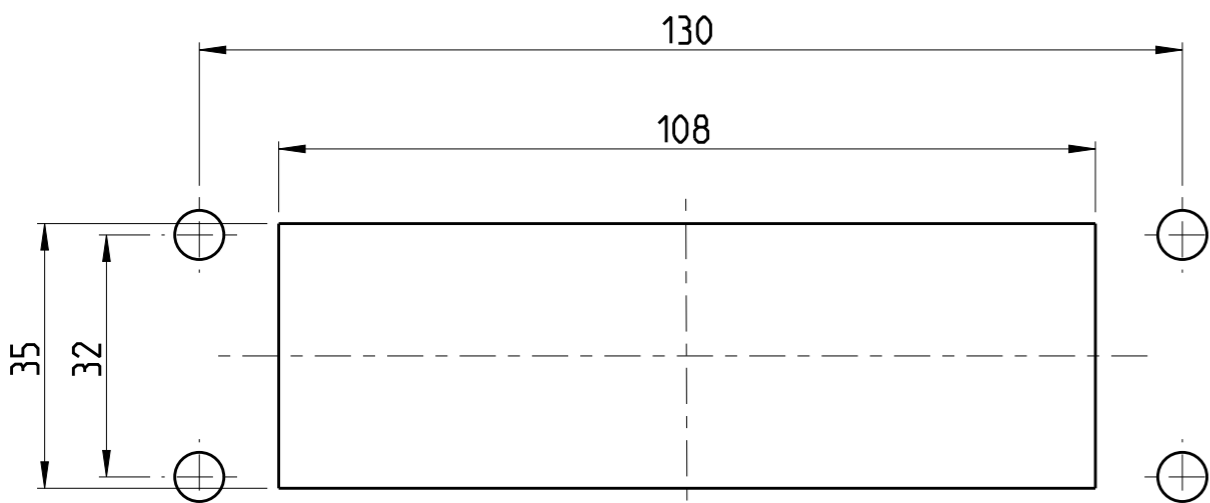
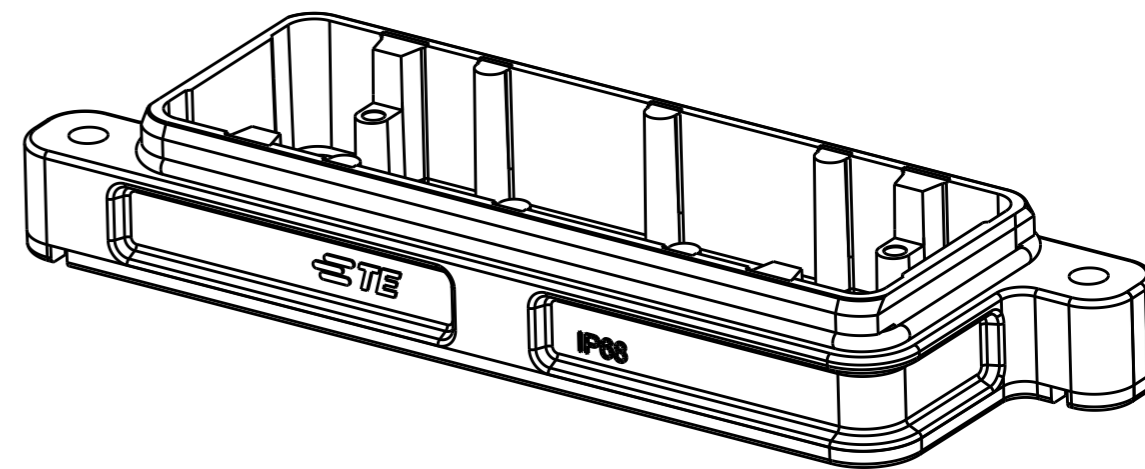
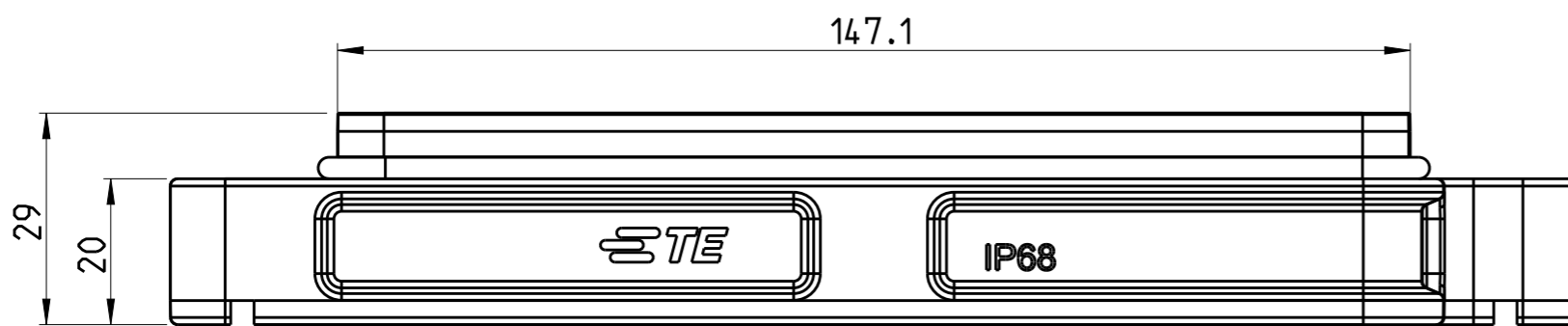
REVISIONS

P	LTR	DESCRIPTION	DATE	DWN	APVD
	A	INITIAL	26Feb2015	GY	CW



NOTES:  
 1. TECHNICAL CHARACTERISTICS:  
 HOUSING MATERIAL: DIE CAST ALUMINIUM ALLOY  
 SURFACE TREATMENT: SEE TABLE  
 OPERATION TEMPERATURE: -40°C~+125°C  
 DEGREE OF PROTECTION: IP68 (MATED)

注释  
 1. 技术参数:  
 壳体材料: 铝合金  
 表面处理: 见表格  
 工作温度: -40°C~+125°C  
 防护等级: IP68 (配合)



Panel Cut Out

T1930242000-000	POWDER COATED GRAY RAL7037	H24BPR-AG
T1930241000-000	POWDER COATED SILVERGRAY RAL7001	H24BPR-AG
T1930240000-000	POWDER COATED BLACK RAL9005	H24BPR-AG
PART NUMBER	SURFACE TREATMENT	DESCRIPTION

THIS DRAWING IS A CONTROLLED DOCUMENT.		DWN Gino.Yao 13Dec2014		TE Connectivity <b>H24BPR-AG</b>	
DIMENSIONS: mm		CHK Chris.Wang 13Dec2014			
TOLERANCES UNLESS OTHERWISE SPECIFIED:		APVD Xiang.Xu 13Dec2014			
0 PLC ± 1 PLC ± 2 PLC ± 3 PLC ± 4 PLC ± ANGLES ±		PRODUCT SPEC 108-137014			
MATERIAL		APPLICATION SPEC 114-137014		NAME	
		WEIGHT		SIZE	
		Customer Drawing		A3	
		SCALE 1:1		DRAWING NO C-T193024X000000	
		SHEET 1 OF 1		RESTRICTED TO	
		REV A			