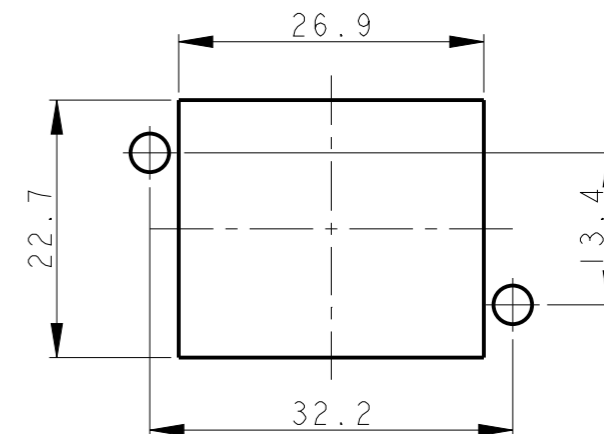
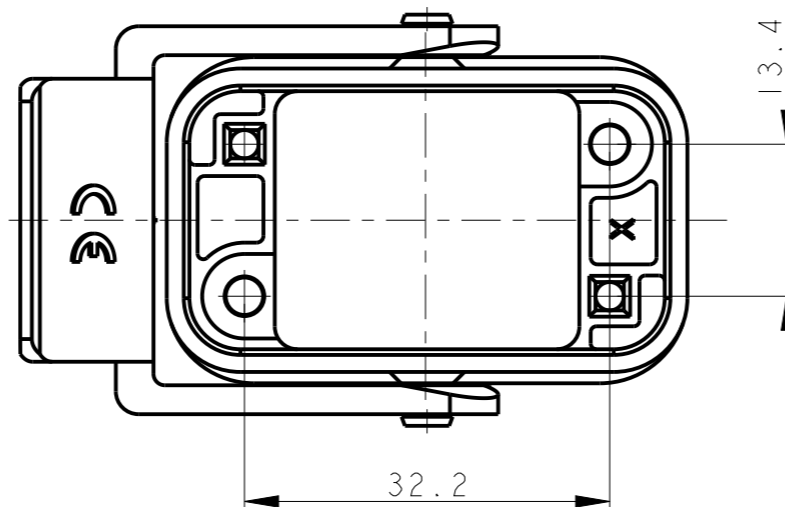
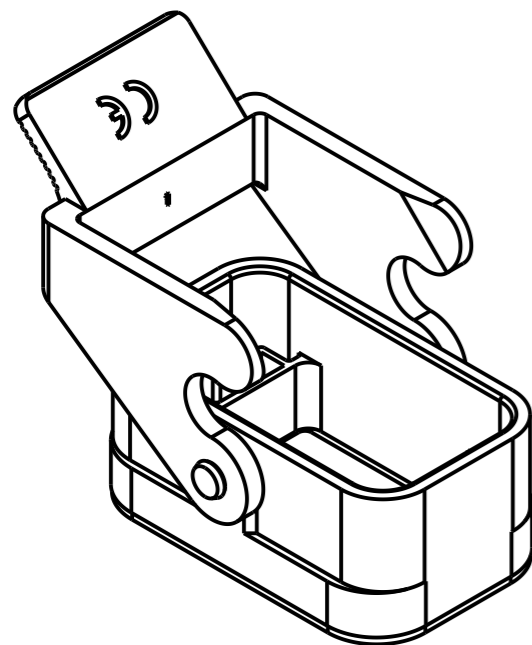
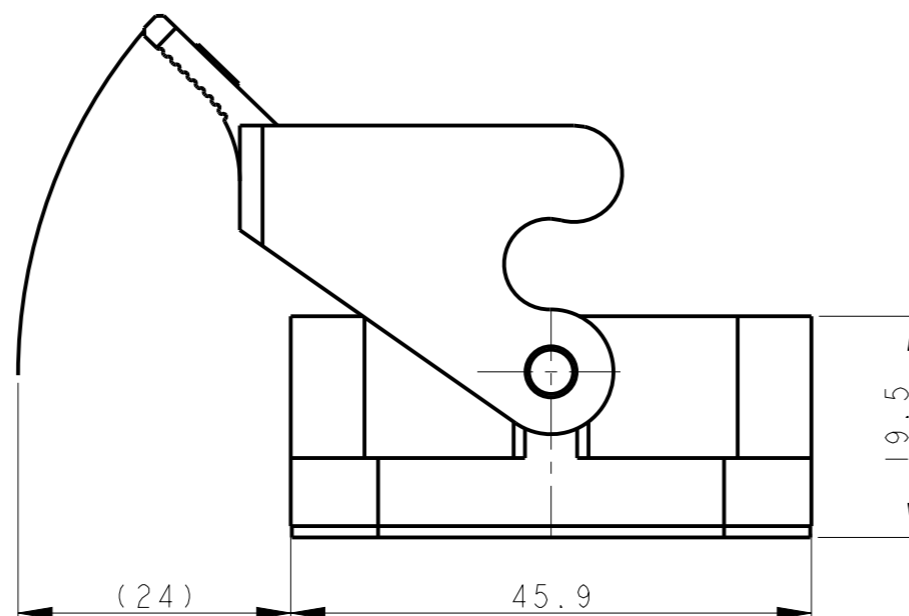
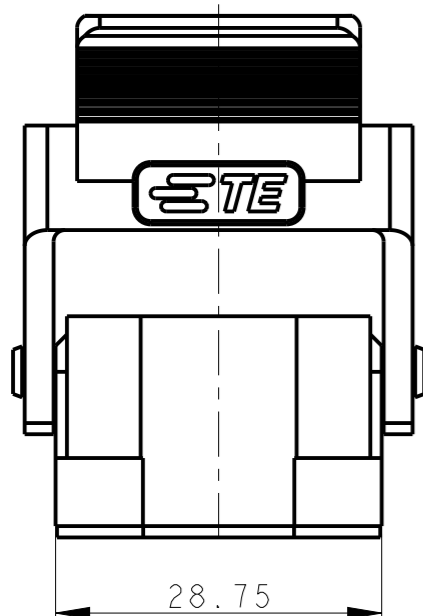


REVISIONS

P	LTR	DESCRIPTION	DATE	DWN	APVD
	A	INITIAL RELEASE	23APR2015	DL	CW
	A1	ECR-18-011761	11AUG2018	AL	CW
	B	ECR-19-003033	26FEB2019	CD	CW
	C	ECR-20-008412	26NOV2020	BS	CW



PANNEL CUT OUT



NOTES:

- 1. TECHNICAL CHARACTERISTICS:
 BODY MATERIAL: PA66
 LOCKING MATERIAL: PA6+20GF
 DEGREE OF PROTECTION: IP65 (MATED)

注释:

- 1. 技术参数:
 主体材料: PA66
 锁扣材料: PA6+20GF
 防护等级: IP65(配合)

T1509081100-000	H8A-AG	H8A PLASTIC HOUSING,BULKHEAD MOUNTED,PLASTIC SINGLE LOCKING,BLACK H8A塑料下壳,开孔安装,塑料单扣,黑色
PART NUMBER 料号	PART DESCRIPTION 零件描述	

THIS DRAWING IS A CONTROLLED DOCUMENT.

DIMENSIONS: mm		TOLERANCES UNLESS OTHERWISE SPECIFIED:	
		0 PLC	±-
		1 PLC	±-
		2 PLC	±-
		3 PLC	±-
		4 PLC ANGLES	±-
MATERIAL	-	FINISH	-

DWN	23APR2015
DAVID LI	
CHK	23APR2015
CHRIS WANG	
APVD	23APR2015
XU XIANG	
PRODUCT SPEC	108-137137
APPLICATION SPEC	114-137137
WEIGHT	-
CUSTOMER DRAWING	

		TE Connectivity	
		NAME H8A-AG	
SIZE	CAGE CODE	DRAWING NO	RESTRICTED TO
A3	-	©-T1509081100000	-
SCALE		SHEET	REV
3:2		1 OF 1	C