

THIS DRAWING IS UNPUBLISHED.

RELEASED FOR PUBLICATION

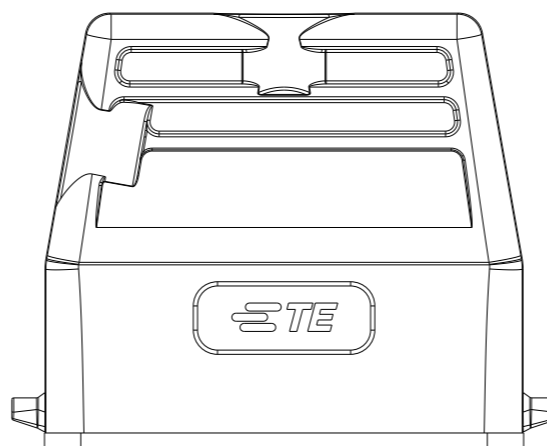
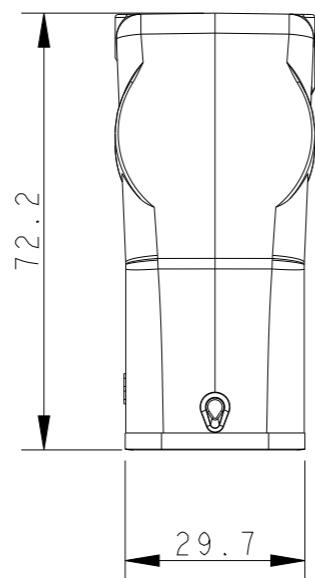
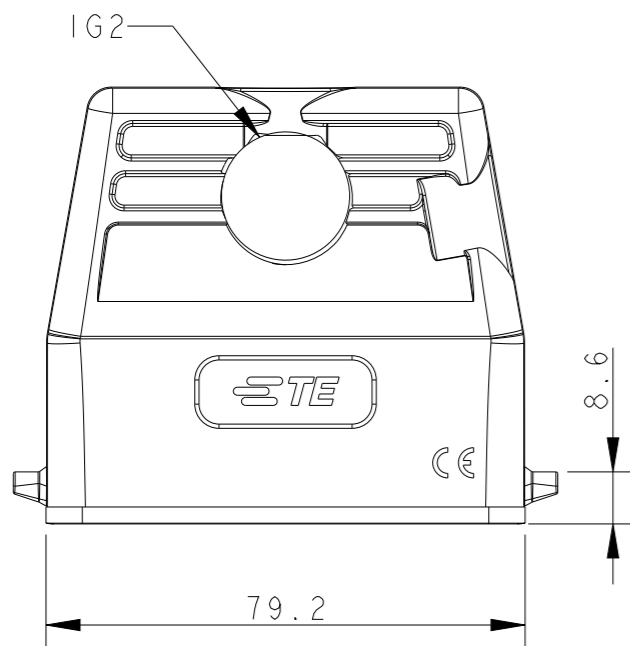
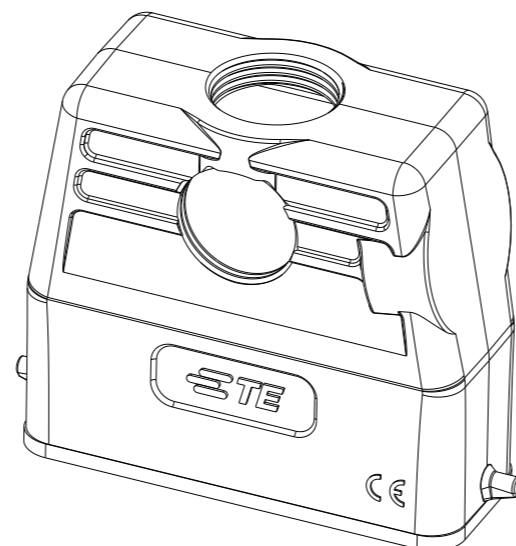
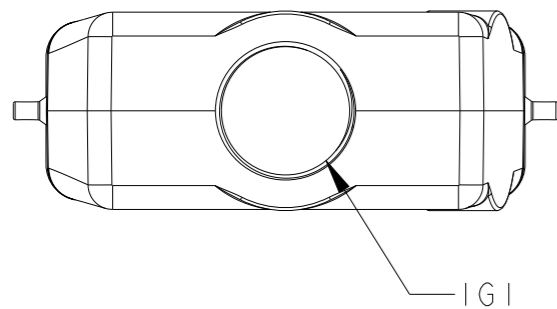
20

© COPYRIGHT 20 BY -

ALL RIGHTS RESERVED.

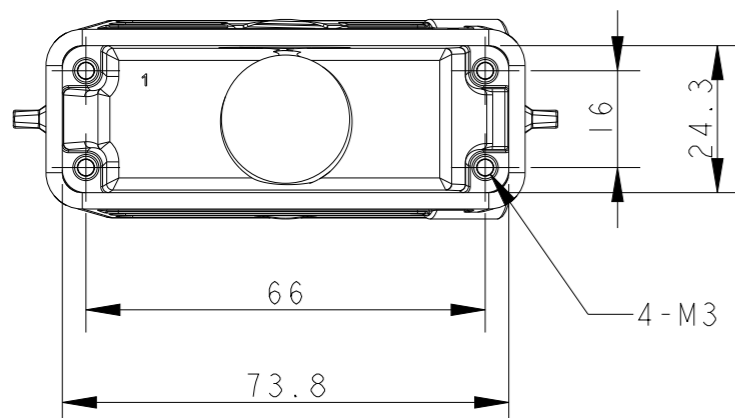
REVISIONS

P	LTR	DESCRIPTION	DATE	DWN	APVD
	A	INITIAL RELEASE	07MAY2015	DL	CW
	B	ECR-20-009510	28DEC2020	BS	CW
	BI	ECR-21-105988	28JUL2021	BS	CW




NOTES:
 1. TECHNICAL CHARACTERISTICS:
 BODY MATERIAL: DIE CAST ALUMINIUM ALLOY
 SURFACE TREATMENT: POWDER-COATED, GRAY
 DEGREE OF PROTECTION: IP65 (MATED)

注释:
 1. 技术参数:
 主体材料: 铝合金
 表面处理: 粉末喷涂, 灰色
 防护等级: IP65(配合)



HIGH TYPE, TOP ENTRY / FRONT ENTRY

T1189161616-000	H16A-TGH/TFH-PG16/PG16	PG16	PG16
ASSEMBLY PART NUMBER	ASSEMBLY PART DESCRIPTION	IG1	IG2

THIS DRAWING IS A CONTROLLED DOCUMENT.		DWN 07MAY2015 DAVID LI	 TE Connectivity NAME H16A-TGH/TFH-PG16/PG16			
DIMENSIONS: mm		CHK 07MAY2015 CHRIS WANG				
TOLERANCES UNLESS OTHERWISE SPECIFIED:		APVD 07MAY2015 XU XIANG				
0 PLC ±- 1 PLC ±- 2 PLC ±- 3 PLC ±- 4 PLC ±- ANGLES ±-		PRODUCT SPEC 108-137010				
MATERIAL		APPLICATION SPEC 114-137010	SIZE A3	CAGE CODE -	DRAWING NO. ©-T1189161616000	RESTRICTED TO
		WEIGHT -	SCALE 4:5		SHEET 1 OF 1	REV BI
		CUSTOMER DRAWING				