


REVISIONS				
REV.	DESCRIPTION		DATE	APPROVED
A	INITIAL RELEASE	NPR 7306	12-18-85	RG
B	REV'D P 1, 4	ECO 7343	1-27-86	RG
C	REV'D P1&2	ECO 7815	10-7-87	RG
D	REV'D P1 & P4	ECO 8358	90-2-9	Heaves
E	REV'D P1&2	ECO 8586	91-2-12	Heaves
F	REV'D P1 & P4	ECO 9441	950816	at/ee

SALES DRAWING

REV. STATUS OF SHEETS							P.O. BOX 4422 Santa Barbara, CA 93140-4422	
REV.	F	C	A	D				
SHEET	1	2	3	4		TITLE HIGH VOLTAGE VACUUM RELAY		
PRED. BY	JP	12-14-85	DWG. NO.		K81C SERIES			
CHKD. BY	RG	12-17-85	FSCM NO.					SHEET 1 OF 4
ENG. APRVL	RG	12-18-85	18741					

REV.
C


ECR REC'D & APP'D
 MFG'G ENGR SA DATE 950108
 QA MGR RS DATE 1-6-95

SPECIFICATIONS:

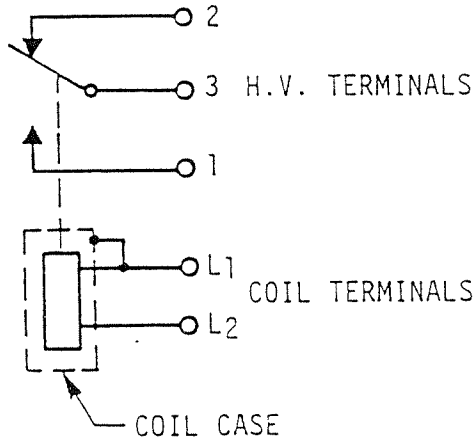
CONTACT ARRANGEMENT..... SPDT
 FORM..... C
 TEST VOLTAGE (dc OR 60 Hz, kV PEAK)..... 11
 RATED OPERATING VOLTAGE (dc OR 60 Hz, kV PEAK)..... 10
 CONTINUOUS CURRENT CARRY, CONTACTS CLOSED, MAX.
 (Adc OR 60 Hz, RMS)
 P/N K81C235, K81C335, K81C535 (FIG. 1)..... 5
 P/N K81C245, K81C345, K81C545 (FIG. 2)..... 10
 CONTACT RESISTANCE, MAX. (OHMS)..... 0.050
 OPERATE TIME, MAX. (ms)..... 10
 RELEASE TIME, MAX. (ms)..... 10
 SHOCK, 11 ms 1/2 SINE (PEAK G's)..... 30
 VIBRATION, 10 G's PEAK (Hz)..... 55-500
 OPERATING TEMPERATURE RANGE (°C)..... -55 TO +85
 MECHANICAL LIFE (OPERATIONS X 10⁶)..... 2
 WEIGHT, MAXIMUM (oz)..... 2.5

RELAY PART NUMBER Outline Per FIG. 1 —>	K81C235	K81C335	K81C535	
Outline Per FIG. 2 —>	K81C245	K81C345	K81C545	
COIL VOLTAGE, NOMINAL	12	26.5	115	
PICK-UP VOLTAGE, MAX. (Vdc)	8	16	80	
DROP-OUT VOLTAGE (Vdc)	.5-5	1-10	5-50	
COIL RESISTANCE (OHMS <u>+10%</u>)	70	290	4700	

NOTES: RATINGS LISTED ARE FOR 25°C SEA LEVEL CONDITIONS.

DIMENSIONS IN INCHES (DIMENSIONS IN PARENTHESES ARE IN MILLIMETERS) TOLERANCES EXCEPT AS NOTED .xx = ± .03 .xxx = ± .010 X x° = ± 2° DO NOT SCALE DWG.			P.O. BOX 4422 Santa Barbara, CA 93140-4422	
	K81C SERIES			
	FSCM NO. <div style="text-align: center; font-size: 18pt;">18741</div>	SCALE <div style="text-align: center; font-size: 18pt;">NONE</div>	SHEET <div style="text-align: center; font-size: 18pt;">2</div>	

ECR REC'D & APP'D
 MFG'G ENGR SA DATE 950108
 QA MGR RS DATE 1-6-95



SCHEMATIC

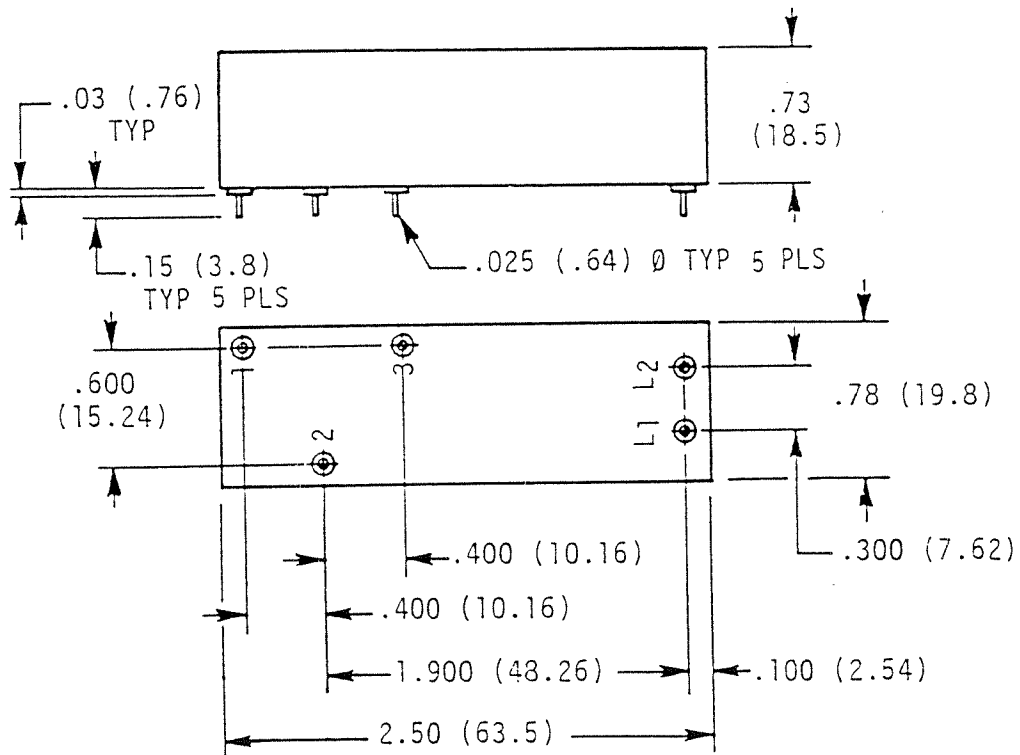


FIGURE 1. OUTLINE FOR PART NUMBERS K81C235, K81C335, K81C535

DIMENSIONS IN INCHES
 (DIMENSIONS IN PARENTHESES ARE IN
 MILLIMETERS)

TOLERANCES EXCEPT AS NOTED

.xx = ± .03

.xxx = ± .010

∠ x° = ± 2°

DO NOT SCALE DWG.



P.O. BOX 4422
 Santa Barbara, CA 93140-4422

K81C SERIES

FSCM NO.

18741

SCALE

FULL

SHEET

3

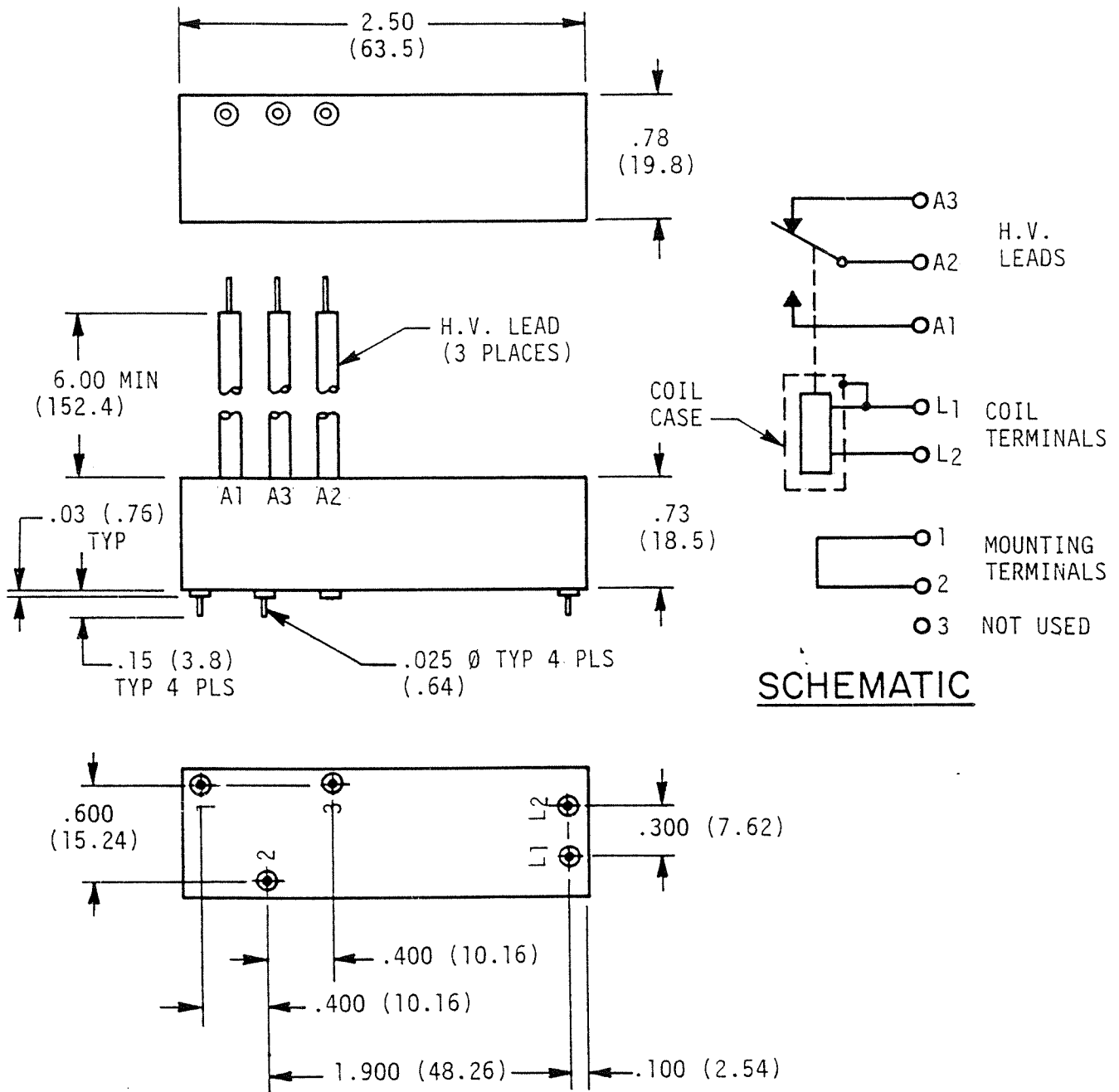


FIG. 2 OUTLINE FOR PART NUMBERS K81C245, K81C345, K81C545

DIMENSIONS IN INCHES
(DIMENSIONS IN PARENTHESES ARE IN
MILLIMETERS)

TOLERANCES EXCEPT AS NOTED

.xx = ± .03

.xxx = ± .010

∠ x° = ± 2°

DO NOT SCALE DWG.

Kilovac
Corporation

P.O. BOX 4422
Santa Barbara, CA 93140-4422

K81C SERIES

FSCM NO.

18741

SCALE

FULL

SHEET

4