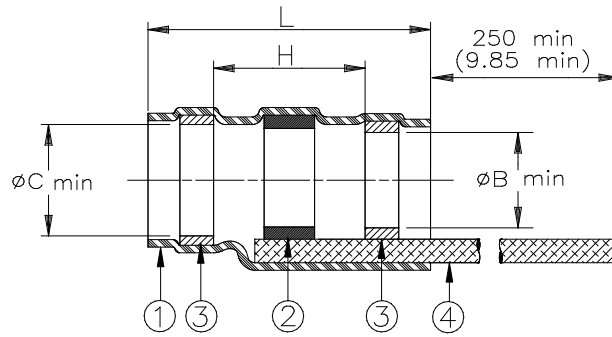


# CUSTOMER DRAWING



Product Name	Product Dimensions					Cable Dimensions		
	Ident. Code	L±1.75 (L±0.07)	Ø B min.	Ø C min.	H min.	Ø E max.	Ø F min.	Ø D max.
S03-01-R-100	Size1R	16.5 (0.650)	1.9 (0.075)	2.65 (0.105)	8.25 (0.325)	2.65 (0.105)	0.90 (0.035)	1.9 (0.075)
S03-02-R-100	Size2R	16.5 (0.650)	2.65 (0.105)	3.68 (0.145)	8.25 (0.325)	3.68 (0.145)	1.40 (0.055)	2.65 (0.105)
S03-03-R-100	Size3R	16.5 (0.650)	4.30 (0.170)	5.08 (0.200)	8.25 (0.325)	5.08 (0.200)	2.15 (0.085)	4.3 (0.170)
S03-04-R-100	Size4R	19.1 (0.750)	5.95 (0.235)	6.45 (0.255)	8.25 (0.325)	6.45 (0.255)	3.30 (0.130)	5.95 (0.235)
S03-05-R-100	Size5R	19.1 (0.750)	7.0 (0.275)	7.6 (0.300)	8.25 (0.325)	7.6 (0.300)	4.30 (0.170)	7.0 (0.275)

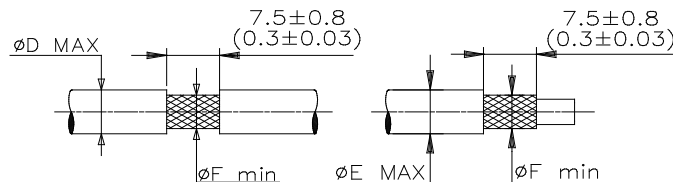
## MATERIALS


- INSULATION SLEEVE: Heat-shrinkable, transparent blue, radiation cross-linked modified polyvinylidene fluoride.
- SOLDER PREFORM WITH FLUX AND THERMAL INDICATOR:  
 SOLDER: TYPE Sn63 per ANSI-J-STD-006.  
 FLUX: TYPE ROL1 per ANSI-J-STD-004.  
 THERMAL INDICATOR: Color change violet to colorless.
- MELTABLE RINGS: Stabilized thermoplastic. Color: blue.
- PRE-INSTALLED BRAID: Tin plated copper strands. CMA 640.

## APPLICATION

- These parts are designed to provide an environment protected shield termination on cables, rated for 125°C minimum, meeting the dimensional criteria listed and having tin or silver plated shields and insulation compatible with the insert material. For compatible insulations, see MIL-S-83519/2 or consult TE Connectivity.
- When installed per Raychem process standard RCPS-100-70, assemblies will meet those requirements of Raychem Specification RT-1404 and MIL-S-83519/2 which do not require electrical testing while parts are immersed in water.
- Temperature range: -55°C to +150°C.
- Parts shall be marked with identification code per table.

For best results, prepare the cable as shown:



		<b>Raychem</b> THERMOFIT DEVICES		TITLE: <b>SOLDERSLEEVE* DEVICE                  SHIELD TERMINATION WITH BRAID</b>	
Unless otherwise specified dimensions are in millimeters. [Inches dimensions are shown in brackets]				DOCUMENT NO.: <b>S03-0X-R-100</b>	
TOLERANCES: 0.00 N/A 0.0 N/A 0 N/A	ANGLES: N/A ROUGHNESS IN MICRON	TE Connectivity reserves the right to amend this drawing at any time. Users should evaluate the suitability of the product for their application.		REV : 7	DATE : 30-Mar-2020
DRAWN BY: M. FORONDA	DATE: 22-NOV-99	ECO: ECO-20-004510	SCALE: NTS	SIZE: A	SHEET: 1 of 1