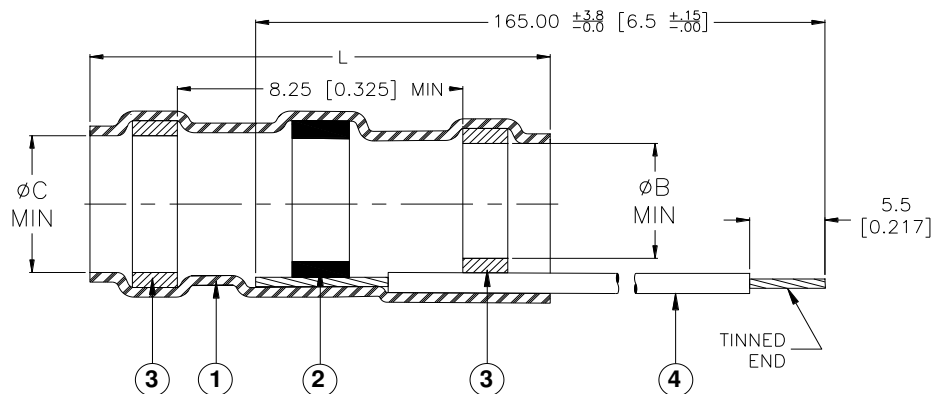


CUSTOMER DRAWING



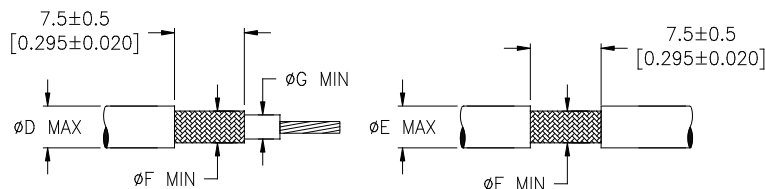
| Product Name | Product Dimensions | | | Cable Dimensions | | | |
|------------------|--------------------|-----------------|-----------------|------------------|-----------------|-----------------|-----------------|
| AWG 22* | L±1.75 [L±0.07] | Ø B min | Ø C min | Ø D max | Ø E max | Ø F min | Ø G min |
| S02-07-R-90-65-T | 16.5 [0.650] | 2.65 [0.105] | 3.68 [0.145] | 3.68 [0.145] | 2.65 [0.105] | 1.40 [0.055] | 0.75 [0.030] |
| S02-08-R-90-65-T | 16.5 [0.650] | 4.30 [0.170] | 5.08 [0.200] | 5.08 [0.200] | 4.30 [0.170] | 2.15 [0.085] | 1.25 [0.050] |
| S02-10-R-90-65-T | 19.1 [0.750] | 7.00 [0.275] | 7.60 [0.300] | 7.60 [0.300] | 7.00 [0.275] | 4.30 [0.170] | 2.50 [0.100] |


MATERIALS

- INSULATION SLEEVE: Heat-shrinkable, transparent blue, radiation cross-linked polyvinylidene fluoride.
- SOLDER PREFORM WITH FLUX AND THERMAL INDICATOR:
 SOLDER: TYPE Sn63 per ANSI/J-STD-006.
 FLUX: TYPE ROL1 per ANSI/J-STD-004.
 THERMAL INDICATOR: Color change violet to colorless.
- MELTABLE SEALING RINGS: Environment resistant thermoplastic. Color: blue.
- PRE-INSTALLED LEAD: RAYCHEM 55A0111-22-90 IN ACCORDANCE WITH MIL-W-22759/32-22-90, with pre-tinned end. Color: white/black stripe.

APPLICATION

- These parts are designed to provide an environment resistant shield termination on cables, rated for 125°C minimum, meeting the dimensional criteria listed and having tin or silver-plated shields and insulation compatible with the insert material. For compatible insulations, consult TE Connectivity.
- When installed per Raychem process standard RCPS-100-70, assemblies will meet those requirements of Raychem Specification RT-1404.
- For assembly information, refer to TE Connectivity/Raychem document RCPS-100-70.
- Parts shall be marked with identification code "S02XXR"; XX shall be replaced with the product size 07 thru 10.
- For best results, prepare the cable as shown:



| | | | | | |
|--|---------------------------------------|--|--|-------------------------|------------------|
|  | | Raychem DEVICES | TITLE: SOLDERSLEEVE SHIELD TERMINATOR ENVIRONMENT RESISTANT WITH PRE-TINNED END LEAD | | |
| Unless otherwise specified dimensions are in millimeters. [Inches dimensions are shown in brackets] | | | DOCUMENT NO.: | | |
| | | | S02-XX-R-90-65-T | | |
| TOLERANCES: 0.00 N/A 0.0 N/A 0 N/A | ANGLES: N/A ROUGHNESS IN MICRON | TE Connectivity reserves the right to amend this drawing at any time. Users should evaluate the suitability of the product for their application. | REV : D1 | DATE : 27OCT2023 | |
| PREPARED BY: D. MALLIKA | CAGE CODE: 06090 | ECN: ECN-23-234831 | SCALE: NTS | SIZE: A | SHEET: 1 of 1 |

CUSTOMER DRAWING

Unless otherwise specified dimensions are in millimeters.
(Inches dimensions are shown in brackets)

| | | | | |
|------------------------------------|-----------|---------------------|--------------------|------------------|
| DOCUMENT NO.: D-150-0253 | REV: A | ECO NUMBER: XXXX | DATE: 30-May-03 | SHEET: 2 of 2 |
|------------------------------------|-----------|---------------------|--------------------|------------------|

Print Date: 27-Oct-23

If this document is printed it becomes uncontrolled. Check with the web for the latest revision