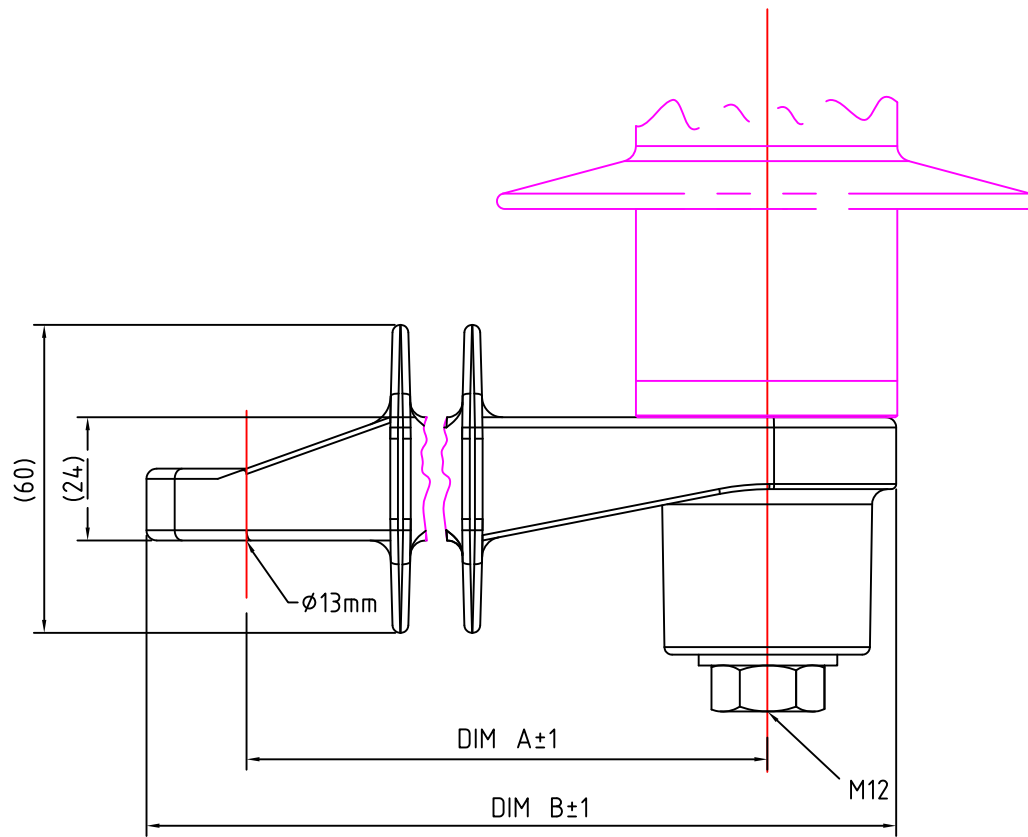


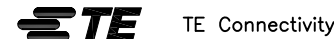
THIS DRAWING IS UNPUBLISHED. RELEASED FOR PUBLICATION
 ALL RIGHTS RESERVED.
 © COPYRIGHT - TE CONNECTIVITY IRELAND LTD, ISC, BLOCK 1, UNIVERSITY OF LIMERICK (NTP), CASTLETOY, LIMERICK, IRELAND

LOC	DIST	REVISIONS				
P	LTR	DESCRIPTION	DATE	DWN	APVD	
-	-	B	ECO-16-007347	05/16	JM	-



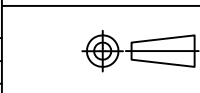
THIS DRAWING IS A CONTROLLED DOCUMENT.

DWN J MULLIGAN 30/04/2014



DIMENSIONS:
mm

TOLERANCES UNLESS OTHERWISE SPECIFIED:



- 0 PLC ± 1
- 1 PLC ± 0.1
- 2 PLC ± 0.01
- 3 PLC ± 0.001
- 4 PLC ± 0.0001
- ANGLES ± 1

CHK R ULBRYCH

APVD P FITZGERALD

PRODUCT SPEC

SEE TABLE

APPLICATION SPEC

NAME

MV SURGE ARRESTER

MOUNT TERMINATION - BRACKET/DISCONNECT

MVSA-TER-M-BX

MATERIAL ALL FITTINGS M12

FINISH -

WEIGHT SEE TABLE

SIZE A3 CAGE CODE 00779 DRAWING NO G=MV-TER-00930-C RESTRICTED TO -

CUSTOMER DRAWING

SCALE 1:1 SHEET 1 OF 1 REV B

DESCRIPTION	PRODUCT SPEC (TCPN No)	DIM A (mm)	DIM B (mm)	WEIGHT (kg)	RECOMMENDED SURGE ARRESTOR RATINGS		
MVSA-TER-M-B6	CZ7936-000	157.5	202	0.525	>19kV	>19kV	>24kV
MVSA-TER-M-B4	CZ7935-000	129.5	174	0.34	10-19kV	10-19kV	13-24kV
MVSA-TER-M-B2	CZ7934-000	101.5	146	0.273	0-10kV	0-10kV	0-13kV