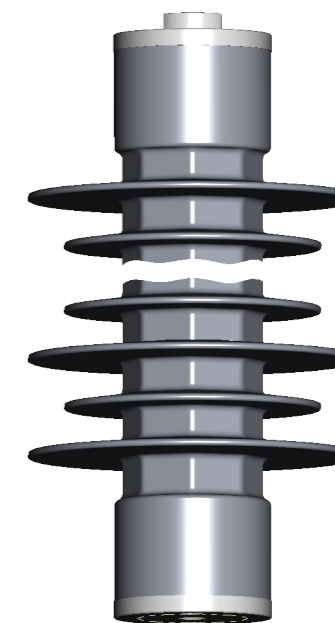
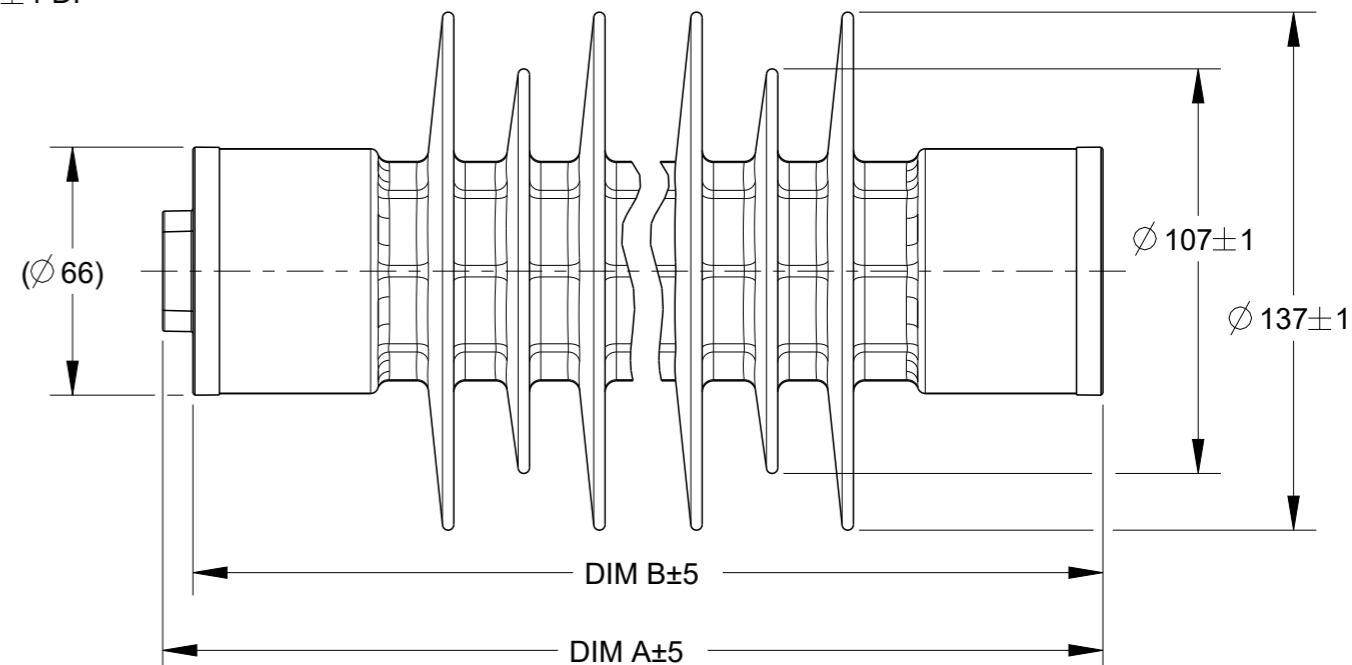
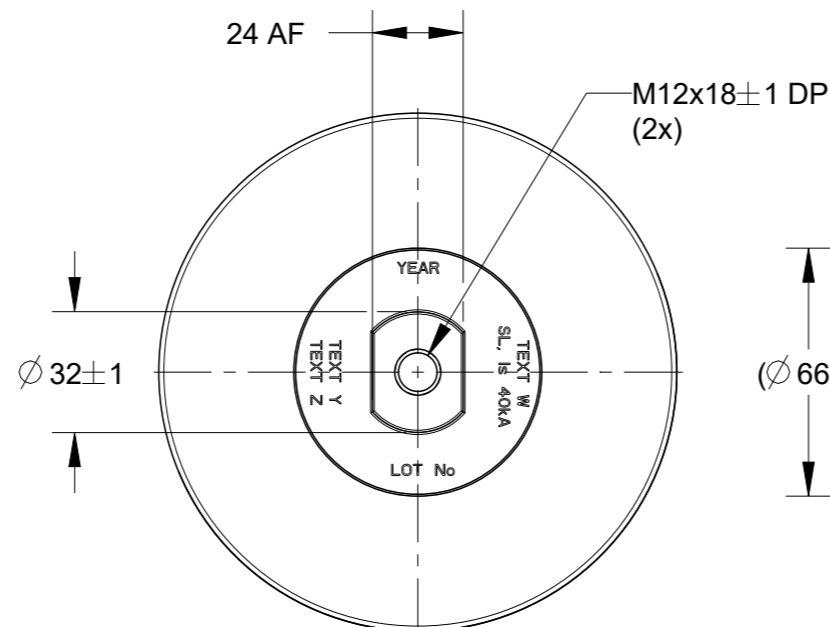


REVISIONS

P	LTR	DESCRIPTION	DATE	DWN	APVD
	C	REDRAWN IN CREO	25MAY2022	VF	EFG

No. SHEDS	CREEPAGE LENGTH (mm)	FLASHOVER DISTANCE (mm)	DIM A (mm)	DIM B (mm)
11	970	339	343	335
13	1125	378	383	375
15	1279	418	423	415

No. SHEDS	PRODUCT (TEXT W)	Uc (TEXT Y)	Ur (TEXT Z)
11	OCP2-24M	Uc 24 kV	Ur 30 kV
	OCP2-26M	Uc 26 kV	Ur 32.5 kV
	OCP2-27M	Uc 27 kV	Ur 33.75 kV
	OCP2-29M	Uc 29 kV	Ur 36.25 kV
	OCP2-30M	Uc 30 kV	Ur 37.5 kV
	OCP2-31M	Uc 31 kV	Ur 38.75 kV
	OCP2-32M	Uc 32 kV	Ur 40 kV
13	OCP2-22ML	Uc 22 kV	Ur 27.5 kV
	OCP2-24ML	Uc 24 kV	Ur 30 kV
	OCP2-26ML	Uc 26 kV	Ur 32.5 kV
	OCP2-27ML	Uc 27 kV	Ur 33.75 kV
	OCP2-29ML	Uc 29 kV	Ur 36.25 kV
	OCP2-30ML	Uc 30 kV	Ur 37.5 kV
	OCP2-31ML	Uc 31 kV	Ur 38.75 kV
	OCP2-32ML	Uc 32 kV	Ur 40 kV
	OCP2-33M	Uc 33 kV	Ur 41.25 kV
	OCP2-34M	Uc 34 kV	Ur 42.5 kV
15	OCP2-24MX	Uc 24 kV	Ur 30 kV
	OCP2-26MX	Uc 26 kV	Ur 32.5 kV
	OCP2-27MX	Uc 27 kV	Ur 33.75 kV
	OCP2-29MX	Uc 29 kV	Ur 36.25 kV
	OCP2-32MX	Uc 32 kV	Ur 40 kV
	OCP2-33ML	Uc 33 kV	Ur 41.25 kV
	OCP2-36ML	Uc 36 kV	Ur 45 kV
	OCP2-39M	Uc 39 kV	Ur 48.75 kV
OCP2-40M	Uc 40 kV	Ur 50 kV	
OCP2-41M	Uc 41 kV	Ur 51.25 kV	



NOTES:

- 1- REFER TO TECHNICAL DATASHEETS FOR ALL OTHER PRODUCT DETAILS
- 2- HOUSING PRINT:

Bowthorpe
MO Arrester
In 10kA
50/60 Hz
IEC 60099-4

- 3- STD STUD LENGTH 47±2. OTHER LENGTHS AVAILABLE
- 4- ALL DIMENSIONS NOMINAL UNLESS SPECIFIED

THIS DRAWING IS A CONTROLLED DOCUMENT.		DWN 25MAY2022 V.FUZETTI		
DIMENSIONS: mm		CHK 25MAY2022 E.F.GASTALDI		
TOLERANCES UNLESS OTHERWISE SPECIFIED:		APVD 25MAY2022 E.F.GASTALDI	NAME MV SURGE ARRESTER OCP2-M RANGE	
		PRODUCT SPEC SEE DATASHEET	RESTRICTED TO	
MATERIAL		APPLICATION SPEC	SIZE A3	CAGE CODE 00779
FINISH		WEIGHT	DRAWING NO C-MV-OCP2-00392-C	
		CUSTOMER DRAWING	SCALE NTS	SHEET 1 OF 1
			REV C	