



LS504-31

LS Series–Level Sensor

Features

- ♦ High or low level sensing
- ♦ External fitting
- ♦ Reed Switch reliability
- ♦ Silicone sealing grommet
- ♦ Easy installation

Comments

- ♦ High or low level sensing, single pole double throw
- ♦ Normally open or normally closed by rotating through 180
- ♦ Suitable for a wide range of liquids
- ♦ Interface option available
- ♦ Polypropylene Material
- ♦ PPS Material

Applications

- ♦ Coolant level indication
- ♦ Water high or low Level
- ♦ Boiler heating element protection
- ♦ Drinking water level
- ♦ Boiling Water

LS504-31

LS Series—Level Sensor

Material

Housing Material	Glass Filled PPS
Float Material	Glass Filled PPS
Contact Material	Ruthenium
Float SG	0.7
Operating Temperature °C	-30 to 110
Medium	Boiling, Drinking (Potable) Water
Housing and Float Colour	Black

Cable

Cable Length	3 x 0.5M single insulated
Connection Type	Stripped Cables
Cable Type	24AWG, 7/0.2mm PVC insulated
Cable Colour	Yellow/Blue/Black

Mechanical Specifications

Shock	50g for 11mS duration
Vibration	35g up to 500Hz
Maximum Pressure	2.0 Bar
IP	IP65

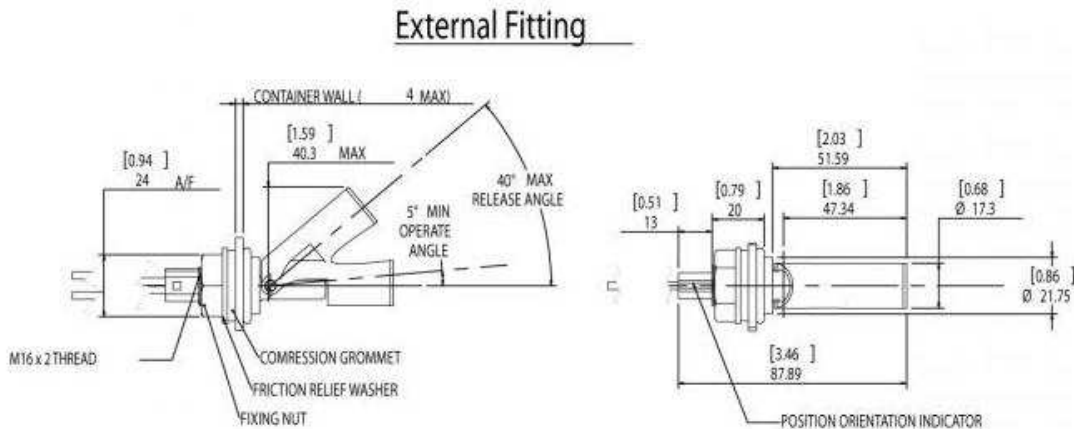
Mounting

Thread	½" NPT
Fitment	External
Mounting	Horizontal

Switching

Switch Action (Reed Switch)	SPDT
Max Switching Voltage VDC	175
Max Switching Voltage VAC	125
Max Switching Current Amps	0.4A DC/0.28A AC
Max Switching Load Watt	5
Operate Mode	N/C with float horizontal
Contact Form	C

Technical Drawing



NORTH AMERICA

Measurement Specialties, Inc.,
a TE Connectivity Company
Phone +1-800-522-6752
Email: customercare.hmpt@te.com

EUROPE

MEAS Deutschland GmbH(Europe)
a TE Connectivity Company
Phone: +49-800-440-5100
Email: customercare.tlse@te.com

ASIA

Measurement Specialties (China), Ltd.,
a TE Connectivity Company
Phone: +86-0400-820-6015
Email: customercare.shzn@te.com

TE.com/sensorsolutions

Measurement Specialties, Inc., a TE Connectivity company.

Accustar, American Sensor Technologies, AST, ATEXIS, DEUTSCH, IdentiCal, TruBlue, KPSI, Krystal Bond, Microfused, UltraStable, Measurement Specialties, MEAS, Schaevitz, TE Connectivity, TE, and the TE connectivity (logo) are trademarks of the TE Connectivity Ltd. family of companies. Other logos, product and company names mentioned herein may be trademarks of their respective owners.

The information given herein, including drawings, illustrations and schematics which are intended for illustration purposes only, is believed to be reliable. However, TE Connectivity makes no warranties as to its accuracy or completeness and disclaims any liability in connection with its use. TE Connectivity's obligations shall only be as set forth in TE Connectivity's Standard Terms and Conditions of Sale for this product and in no case will TE Connectivity be liable for any incidental, indirect or consequential damages arising out of the sale, resale, use or misuse of the product. Users of TE Connectivity products should make their own evaluation to determine the suitability of each such product for the specific application.