



## LS309-51N

### LS Series–Level Sensor

#### Features

- ✦ High or low level sensing
- ✦ Internal or external fitting
- ✦ Reed Switch reliability
- ✦ Nitrile sealing washer/grommet
- ✦ Easy installation

#### Applications

- ✦ Chemical high or low level
- ✦ Diesel Fuel
- ✦ Fuel low level
- ✦ Alcohols
- ✦ Low Oil Detection

#### Comments

- ✦ Normally open or normally closed by rotating through 180
- ✦ Suitable for a wide range of liquids
- ✦ Interface option available
- ✦ Nylon 6.6 Material

#### Material

<b>Housing Material</b>	Glass Filled Nylon 6.6
<b>Float Material</b>	Glass Filled Nylon 6.6
<b>Contact Material</b>	Ruthenium
<b>Float SG</b>	0.85
<b>Operating Temperature °C</b>	-30 to 130
<b>Medium</b>	Fuels, Oils, Alcohols
<b>Housing and Float Color</b>	Blue

#### Cable

<b>Cable Length</b>	2 x 0.5M single insulated
<b>Connection Type</b>	Stripped Cables
<b>Cable Type</b>	18AWG, 32/0.2mm PVC insulated
<b>Cable Color</b>	Black/Black

#### Mechanical Specifications

<b>Shock</b>	50g for 11mS duration
<b>Vibration</b>	35g up to 500Hz
<b>Maximum Pressure</b>	4.7 Bar
<b>IP</b>	IP65

#### Mounting

<b>Thread</b>	M16
<b>Fitment</b>	Universal Internal or External
<b>Mounting</b>	Horizontal

## LS309-51N

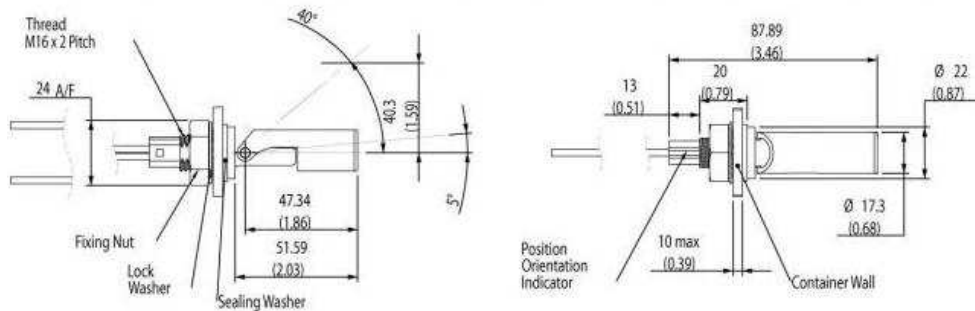
LS Series—Level Sensor

### Switching

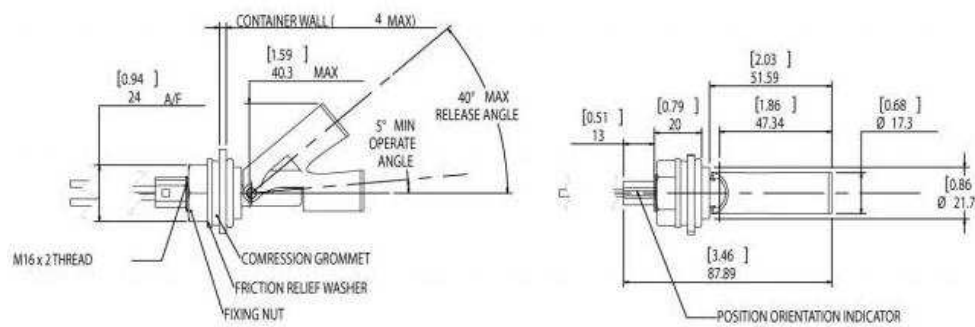
Switch Action (Reed Switch)	SPST
Max Switching Voltage VDC	200
Max Switching Voltage VAC	250
Max Switching Current Amps	1
Max Switching Load Watt	70
Operate Mode	N/C with float horizontal
Contact Form	A

### Technical Drawing

#### Internal Fitting



#### External Fitting



#### NORTH AMERICA

Measurement Specialties, Inc.,  
a TE Connectivity Company  
Phone +1-800-522-6752  
Email: [customercare.hmpt@te.com](mailto:customercare.hmpt@te.com)

#### EUROPE

MEAS Deutschland GmbH(Europe)  
a TE Connectivity Company  
Phone: +49-800-440-5100  
Email: [customercare.tlse@te.com](mailto:customercare.tlse@te.com)

#### ASIA

Measurement Specialties (China), Ltd.,  
a TE Connectivity Company  
Phone: +86-0400-820-6015  
Email: [customercare.shzn@te.com](mailto:customercare.shzn@te.com)

#### [TE.com/sensorsolutions](http://TE.com/sensorsolutions)

Measurement Specialties, Inc., a TE Connectivity company.

Accustar, American Sensor Technologies, AST, ATEXIS, DEUTSCH, IdentiCal, TruBlue, KPSI, Krystal Bond, Microfused, UltraStable, Measurement Specialties, MEAS, Schaevitz, TE Connectivity, TE, and the TE connectivity (logo) are trademarks of the TE Connectivity Ltd. family of companies. Other logos, product and company names mentioned herein may be trademarks of their respective owners.

The information given herein, including drawings, illustrations and schematics which are intended for illustration purposes only, is believed to be reliable. However, TE Connectivity makes no warranties as to its accuracy or completeness and disclaims any liability in connection with its use. TE Connectivity's obligations shall only be as set forth in TE Connectivity's Standard Terms and Conditions of Sale for this product and in no case will TE Connectivity be liable for any incidental, indirect or consequential damages arising out of the sale, resale, use or misuse of the product. Users of TE Connectivity products should make their own evaluation to determine the suitability of each such product for the specific application.