



## LS309-11N

### LS Series–Level Sensor

#### Features

- ♦ High or low level sensing
- ♦ Internal fitting
- ♦ Reed Switch reliability
- ♦ Nitrile sealing washer
- ♦ Easy installation

#### Comments

- ♦ High or low level sensing
- ♦ Normally open or normally closed by rotating through 180
- ♦ Suitable for a wide range of liquids
- ♦ Interface option available
- ♦ Nylon 6.6 Material

#### Applications

- ♦ Chemical high or low level
- ♦ Diesel Fuel
- ♦ Fuel low level
- ♦ Alcohols
- ♦ Low Oil Detection

## LS309-11N

LS Series—Level Sensor

### Material

Housing Material	Glass Filled Nylon 6.6
Float Material	Glass Filled Nylon 6.6
Contact Material	Ruthenium
Float SG	0.85
Operating Temperature °C	-30 to 130
Medium	Fuels, Oils, Alcohols
Housing and Float Color	Blue

### Mechanical Specifications

Shock	50g for 11mS duration
Vibration	35g up to 500Hz
Maximum Pressure	4.7 Bar
IP	IP65

### Switching

Switch Action (Reed Switch)	SPDT
Max Switching Voltage VDC	200
Max Switching Voltage VAC	250
Max Switching Current Amps	1
Max Switching Load Watt	70
Operate Mode	N/C with float horizontal
Contact Form	A

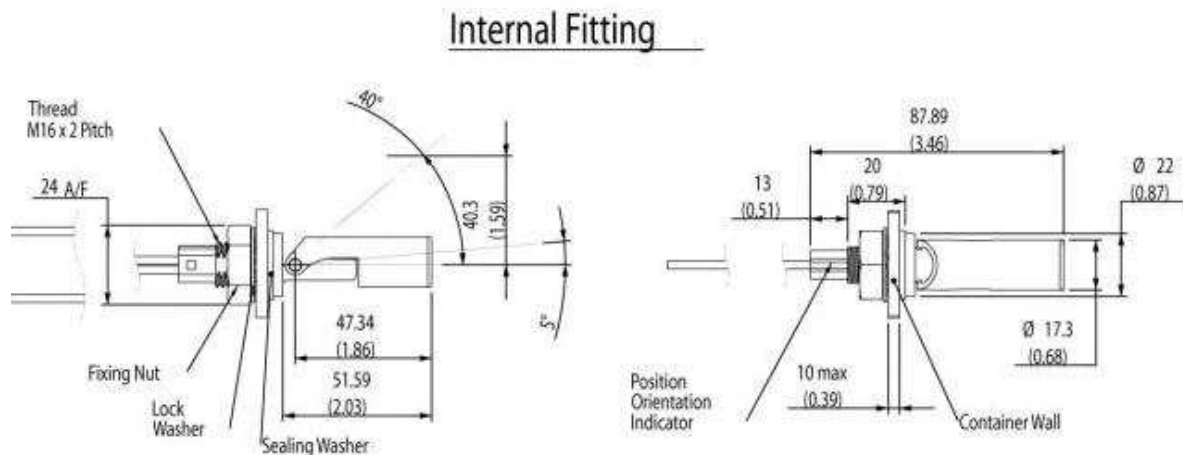
### Cable

Cable Length	2 x 0.5M single insulated
Connection Type	Stripped Cables
Cable Type	18AWG, 32/0.2mm PVC insulated
Cable Color	Black/Black

### Mounting

Thread	M16
Fitment	Internal
Mounting	Horizontal

### Technical Drawing



### NORTH AMERICA

Measurement Specialties, Inc.,  
a TE Connectivity Company  
Phone +1-800-522-6752  
Email: [customer-care.hmp1@te.com](mailto:customer-care.hmp1@te.com)

### EUROPE

MEAS Deutschland GmbH(Europe)  
a TE Connectivity Company  
Phone: +49-800-440-5100  
Email: [customer-care.tlse@te.com](mailto:customer-care.tlse@te.com)

### ASIA

Measurement Specialties (China), Ltd.,  
a TE Connectivity Company  
Phone: +86-0400-820-6015  
Email: [customer-care.shzn@te.com](mailto:customer-care.shzn@te.com)

### [TE.com/sensorsolutions](http://TE.com/sensorsolutions)

Measurement Specialties, Inc., a TE Connectivity company.

Accustar, American Sensor Technologies, AST, ATEXIS, DEUTSCH, IdentiCal, TruBlue, KPSI, Krystal Bond, Microfused, UltraStable, Measurement Specialties, MEAS, Schaevitz, TE, and the TE connectivity (logo) are trademarks of the TE Connectivity Ltd. family of companies. Other logos, product and company names mentioned herein may be trademarks of their respective owners.

The information given herein, including drawings, illustrations and schematics which are intended for illustration purposes only, is believed to be reliable. However, TE Connectivity makes no warranties as to its accuracy or completeness and disclaims any liability in connection with its use. TE Connectivity's obligations shall only be as set forth in TE Connectivity's Standard Terms and Conditions of Sale for this product and in no case will TE Connectivity be liable for any incidental, indirect or consequential damages arising out of the sale, resale, use or misuse of the product. Users of TE Connectivity products should make their own evaluation to determine the suitability of each such product for the specific application.