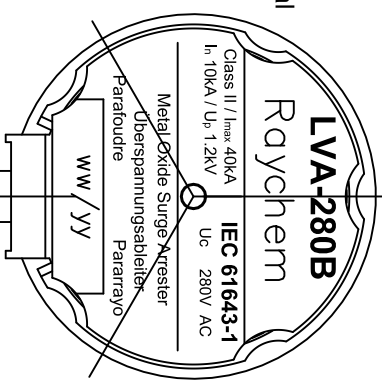
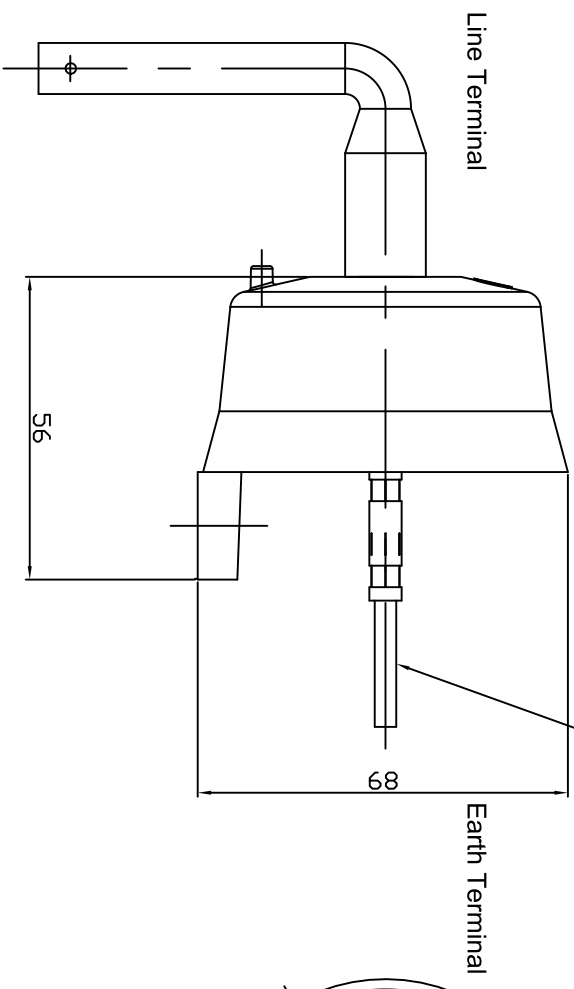
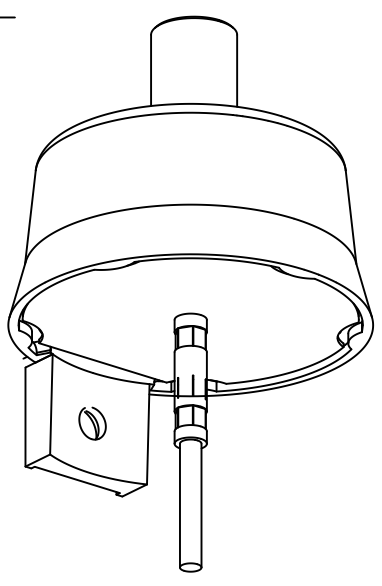


REVISIONS		DATE	BY	APP'D
P	LTR			
B		05/18	JM	-



Description	TCPN	DIM A
LVA-280B-CL	F08831-000	1000mm
LVA-280B-CL-xxx	-000	1000mm
LVA-280B-CL-xxx	-000	500mm

THIS DRAWING IS A CONTROLLED DOCUMENT.

DMN	J MULLIGAN	22/01/2015
CHK	R ULBRICH	-
APP'D	P FITZGERALD	-

NAME: LV SURGE ARRESTER  
 LV-280B-CL-xxx

TE Connectivity Ltd.

DESCRIPTION	SIZE	CODE	DRAWING NO	RESTRICTED TO
	A3	00779	LV-280B-CL-xxx	

SCALE	1:1	SHEET	1 OF 1	REV	B
-------	-----	-------	--------	-----	---

APPROVALS:

NO	DATE	BY	REASON
0			PLC
1			PLC
2			PLC
3			PLC
4			FINISH

TOLERANCES UNLESS OTHERWISE SPECIFIED:

± 1	± 0.1	± 0.001	± 0.0001	± 1
-----	-------	---------	----------	-----

APPLICATION SPEC: -

WEIGHT: 0

CUSTOMER DRAWING