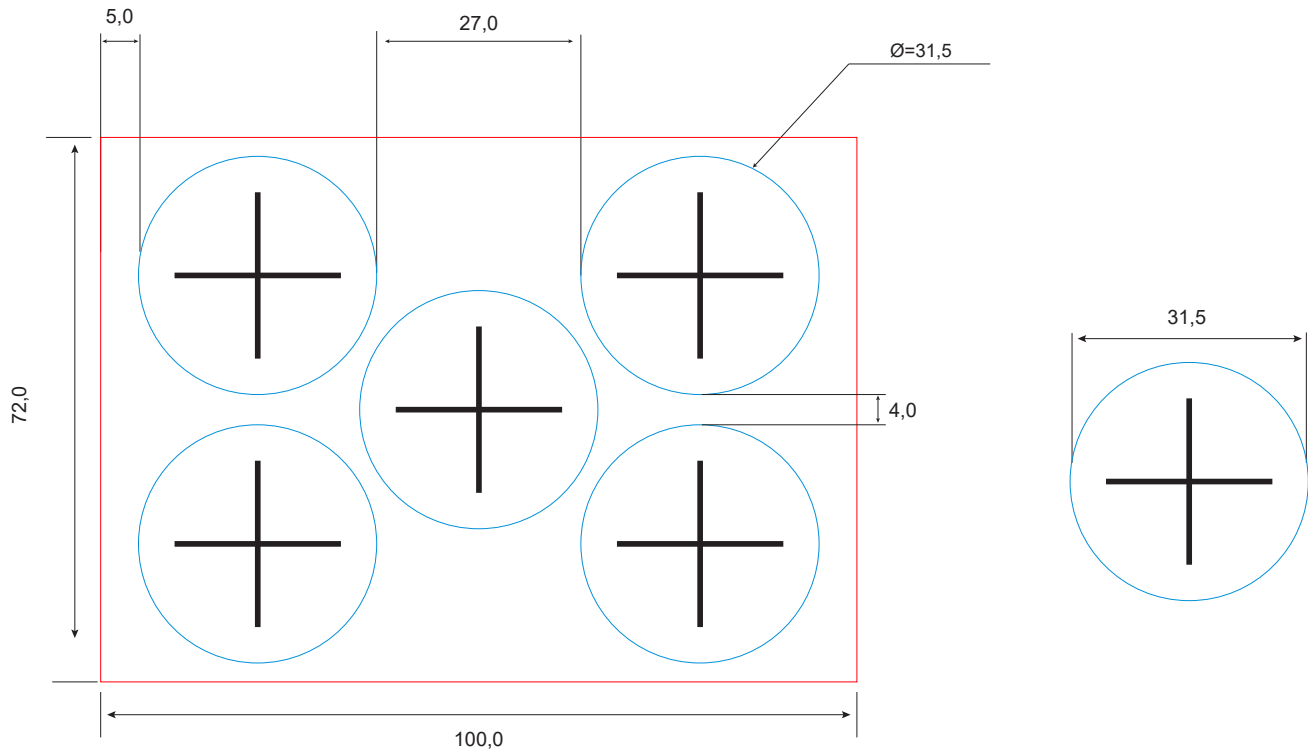


1 REVISIONS			
Rev.	Description	Visa	Date
B	Artwork creation	PE	11.02.22



Grid removed : Yes
Sales unit : Label

PRINTING			
	Color		Color
1	Black	5	
2		6	
3		7	
4		8	

PACKAGING	
5 labels/sheet	
20 sheets/plastic bag	
1 plastic bag/carbox	

TE PN: 1-1768035-9

All dimensions in mm
Labels are centered on the liner except against indication

Overlamination:	-			
Material :	White PVC			
Adhesive :	Permanent			
Liner:	White Kraft			
DWN	PE / 11.02.22	DATE		
CHK	PE / 11.02.22	DATE		
APVD	EL / 07.03.22	DATE		
PRODUCT SPEC	TTDS 205	DATE		
APPLICATION SPEC		DATE	Name	
			LKZ31B1	
WEIGHT	0,090 g	SIZE	A4	CAGE CODE
SCALE	NTS	FB1U7	TE DRAWING	
			© LKZ31B1	
			RESTRICTED TO	
CUSTOMER DRAWING			SHEET 1 OF 1	
			REV B	

Customer drawing

TOLERANCES		THIS DRAWING IS A CONTROLLED DOCUMENT	
Label height :	±0,2	DIMENSIONS	TOLERANCES UNLESS OTHERWISE SPECIFIED
Label width :	±0,2		
Web width :	±0,5		0.PLC ± 1.PLC ± 2.PLC ± 3.PLC ± 4.PLC ± SAMPLES ±
Vertical repeat :	±0,3*		
Horizontal repeat :	±0,5*		
Print positionning :	±0,5*		
Left margin :	±0,5	MATERIAL	FINISH
Quantity :	0% +2%	SEE TABLE	XXXXXXXXXX XXXXXXXXXX
* non accumulating			

- Kiss cut
- Die cut
- Back slit
- Adhesive cut
- Perforation
- 45° die cut
- 2 kiss cut enductions