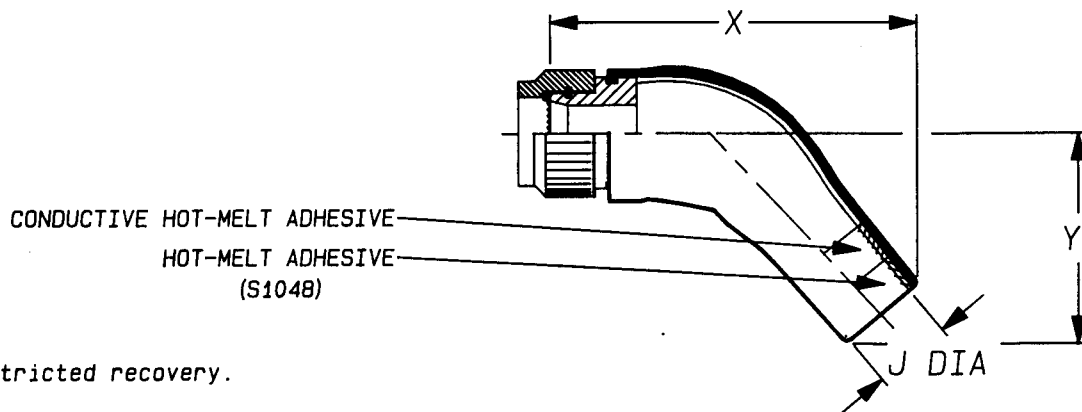
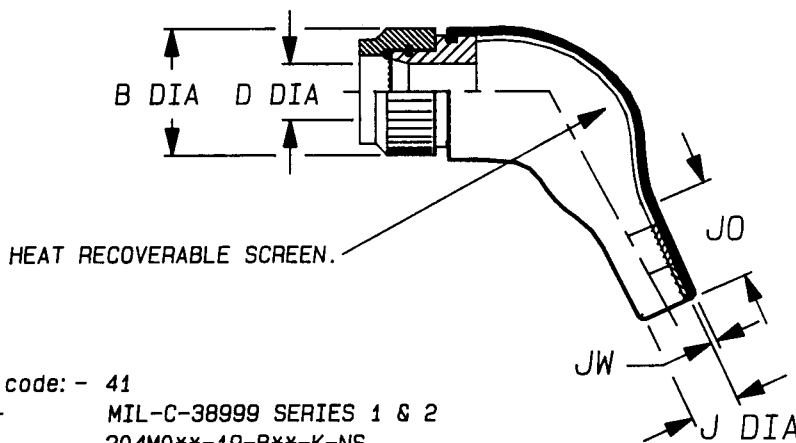


a) Part as supplied.

KTKK 1350-1358



b) Part after unrestricted recovery.



Raychem connector code: - 41
 Connector Series: - MIL-C-38999 SERIES 1 & 2
 Adaptor Series: - 204M0**-19-B**-K-NS
 Moulded Part Material: - -25S

Kits to include cleaning tissue, 1 piece 100 grit emery cloth & packing piece.
 Kit to be used in conjunction with installation guide for 90 & 45 deg. assemblies.

Dimensions (in millimetres.)

Part No.	SHELL SIZE	B	D	J		JO	JW	X	Y
		DIA MAX	DIA MIN	MIN a	MAX b	REF b	±30% b	±20% a	±20% a
KTKK 1350	08	19.2	6.2	7	5.0	15	1.0	60	23
KTKK 1351	10	21.7	9.3	9	6.0	17	1.0	67	29
KTKK 1352	12	25.5	12.9	11	7.2	18	1.0	73	29
KTKK 1353	14	28.0	14.1	11	7.2	18	1.0	73	29
KTKK 1354	16	31.9	18.8	17	8.5	20	1.0	83	36
KTKK 1355	18	35.7	18.8	17	8.5	20	1.0	83	36
KTKK 1356	20	38.2	23.6	21	10.0	28	1.5	100	45
KTKK 1357	22	42.0	23.6	21	10.0	28	1.5	100	45
KTKK 1358	24	44.6	31.1	29	15.8	31	1.5	121	59

Copyright (!)

Urheberrechte

The copyright in this drawing is the property of Raychem Ltd. The drawing is issued on condition that it is not copied, reproduced or disclosed to a third party, either in whole or in part without the prior written consent of Raychem Ltd.

Drawn A.LILLEY. Checked *V.L.* Issue 3

Date February 1998 Conforms to ISO Recommendations

Approval Design *TPL*

MKTG. *[Signature]*

G.A. *[Signature]*

3rd Angle Projection
Not to Scale



Iss.	Date	E.C.R. No.	Details of Change
2	February 1988	****	REDRAWN
3	February 1998	H0098	ADAPTOR WAS 202M2XX

Material

(-25) DIESEL RESISTANT ELASTOMER

Raychem
 Electronics OEM Division Europe
 Swindon, Wiltshire, England.
 Telephone: (0793) 528171 Fax: 573923