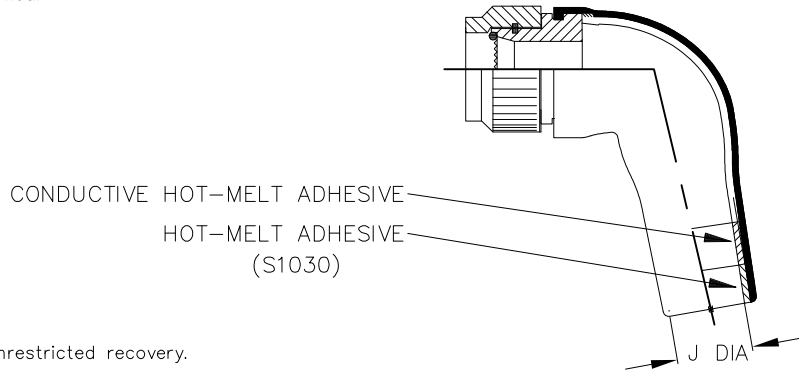


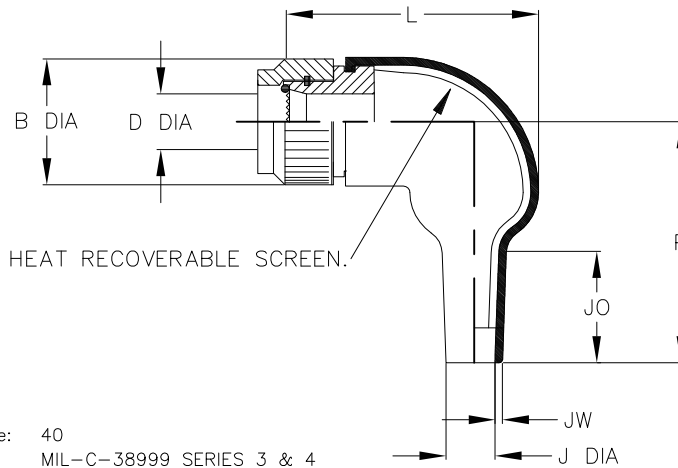
REVISIONS

P	LTR	DESCRIPTION	DATE	DWN	APVD
	6	RELEASED AS PER ECO-17-009529	03JUL2017	KH	MP

a) Part as supplied.



b) Part after unrestricted recovery.



NOTES:

Raychem Connector Code: 40
 Connector Series: MIL-C-38999 SERIES 3 & 4
 Adaptor Series: 208M7**-19-B**-K-NS (Olive Drab)
 Aluminium Alloy to BS1474 HE30TF, FC1 or 6262
 Cadmium per QQ-P-416, Type II, Class 3
 Over appropriate under plate,
 Per MIL-C-85049 (500 hour salt spray)
 Moulded Part Material: -100C (Black); Polyolefin/Silver Composites, semi-flexible
 ZEROHAL™ Low fire hazard

Kits to include cleaning tissue, 1 piece 100 grit emery cloth & packing piece.
 Kit to be used in conjunction with installation guide for 90 & 45 deg. assemblies.

Dimensions in mm [inches for reference]

Part No.	Shell Size	B DIA MAX	D DIA MIN	J		P ±10% b	L ±10% b	JO REF b	JW ±30% b
				MIN a	MAX b				
KTKK1181	B	21.7 [.85]	9.3 [.37]	9 [.35]	6.0 [.24]	38 [1.50]	40 [1.57]	17 [.67]	1.0 [.04]
KTKK1182	C	25.5 [1.00]	12.9 [.51]	11 [.43]	7.2 [.28]	42 [1.65]	43 [1.69]	18 [.71]	1.0 [.04]
KTKK1183	D	29.3 [1.15]	14.1 [.56]	11 [.43]	7.2 [.28]	42 [1.65]	43 [1.69]	18 [.71]	1.0 [.04]
KTKK1184	E	31.9 [1.26]	18.8 [.74]	17 [.66]	8.5 [.33]	51 [2.01]	50 [1.97]	20 [.79]	1.0 [.04]
KTKK1185	F	35.7 [1.41]	18.8 [.74]	17 [.66]	8.5 [.33]	51 [2.01]	50 [1.97]	20 [.79]	1.0 [.04]
KTKK1186	G	38.2 [1.50]	23.6 [.93]	21 [.82]	10.0 [.39]	67 [2.64]	57 [2.24]	28 [1.10]	1.5 [.06]
KTKK1187	H	42.0 [1.65]	23.6 [.93]	21 [.82]	10.0 [.39]	67 [2.64]	57 [2.24]	28 [1.10]	1.5 [.06]
KTKK1188	J	44.6 [1.76]	30.9 [1.22]	29 [1.14]	15.8 [.62]	80 [3.15]	66 [2.60]	31 [1.22]	1.5 [.06]

THIS DRAWING IS UNPUBLISHED. COPYRIGHT 2016 By TE Connectivity

DIMENSIONS: mm [INCHES]	DWN K. HOLAL 14OCT2016	MATERIAL SEE NOTES	FINISH SEE NOTES
	CHK N. NAGAR 14OCT2016		
TOLERANCES UNLESS OTHERWISE SPECIFIED:	APVD M. POPE 14OCT2016		
0 PLC ± -	PRODUCT SPEC	NAME ADAPTOR ASSEMBLY	
1 PLC ± -	—	—	
2 PLC ± -	APPLICATION SPEC	—	
3 PLC ± -	—	SIZE	CAGE CODE
4 PLC ± -	—	DRAWING NO	RESTRICTED TO
ANGLES ± -	WEIGHT	A4	00779
	CUSTOMER DRAWING	C-KTKK1181-1188	
	SCALE	DNS	SHEET 1 OF 1
			REV 6