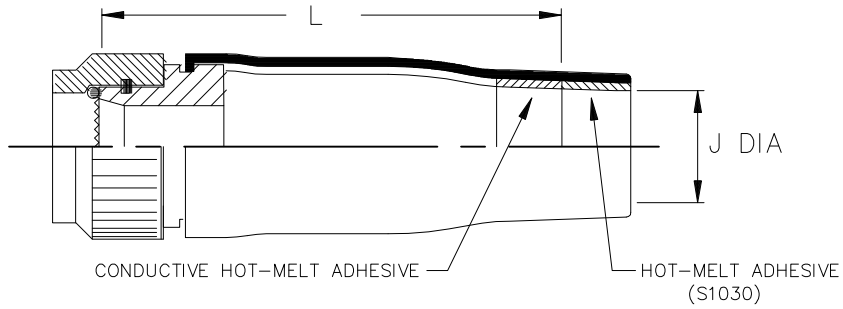


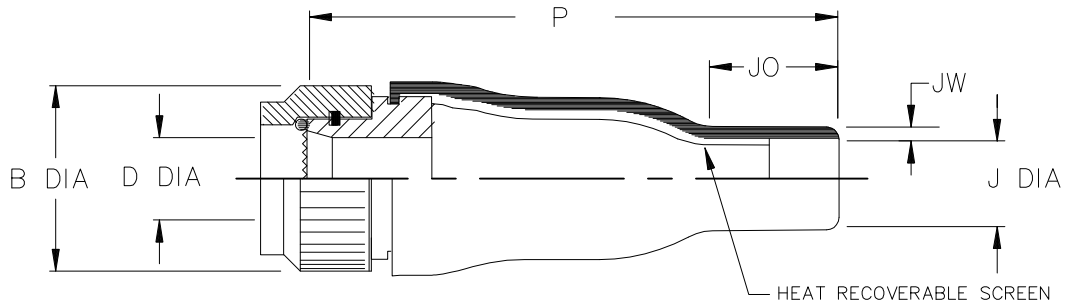
REVISIONS

P	LTR	DESCRIPTION	DATE	DWN	APVD
6		RELEASED AS PER ECO-17-009529	03JUL2017	PV	MP

a) Part as supplied.



b) Part after unrestricted recovery.



NOTES:

Raychem Connector Code: 54
 Connector Series: MIL-C-5015 (MS3400)
 203M0**-19B**-KNS (Olive Drab);
 Adaptor Series: Aluminium Alloy to BS1474 HE30TF, FC1 or 6262
 Cadmium per QQ-P-416, Type II, Class 3
 Over appropriate under plate,
 Per MIL-C-85049 (500 hour salt spray)

Moulded Part Material: -100C (Black); Polyolefin/Silver Composites, semi-flexible
 ZEROHAL™ Low fire hazard

Kits to include cleaning tissue, 1 piece 100 grit emery cloth & packing piece.
 Kits to be used in conjunction with installation guide for straight assemblies.


Dimensions in mm [inches for reference]

Part No.	Shell Size	B DIA MAX	D DIA MIN	J		P ±10% b	L REF a	JO REF b	JW ±30% b
				MIN a	MAX b				
KTKK0612	8&8S	15.6 [.61]	6.2 [.24]	7 [.28]	5.0 [.20]	55 [2.17]	49 [1.93]	15 [.59]	1.0 [.04]
KTKK0613	10,10S&10SL	18.6 [.73]	9.3 [.37]	9 [.35]	6.0 [.24]	70 [2.76]	64 [2.52]	17 [.67]	1.0 [.04]
KTKK0614	12&12S	21.9 [.86]	12.7 [.50]	11 [.43]	7.2 [.28]	82 [3.23]	76 [2.99]	20 [.79]	1.0 [.04]
KTKK0615	14&14S	24.6 [.97]	14.1 [.56]	11 [.43]	7.2 [.28]	82 [3.23]	76 [2.99]	20 [.79]	1.0 [.04]
KTKK0616	16&16S	27.6 [1.09]	17.8 [.70]	17 [.67]	8.5 [.33]	95 [3.74]	86 [3.39]	25 [.98]	1.0 [.04]
KTKK0617	18	29.6 [1.17]	18.8 [.74]	17 [.67]	8.5 [.33]	95 [3.74]	86 [3.39]	25 [.98]	1.0 [.04]
KTKK0618	20	34.1 [1.34]	23.0 [.91]	21 [.83]	10 [.39]	120 [4.72]	108 [4.25]	30 [1.18]	1.2 [.05]
KTKK0619	22	37.4 [1.47]	23.6 [.93]	21 [.83]	10 [.39]	120 [4.72]	108 [4.25]	30 [1.18]	1.2 [.05]
KTKK0620	24	40.6 [1.60]	29.1 [1.15]	29 [1.14]	15.8 [.62]	145 [5.71]	130 [5.12]	30 [1.18]	1.5 [.06]

THIS DRAWING IS UNPUBLISHED.

ALL RIGHTS RESERVED.

COPYRIGHT 2016 By TE Connectivity

DIMENSIONS: mm [INCHES]	DWN P. VU	10OCT2016	MATERIAL	SEE NOTES	FINISH	SEE NOTES
	CHK N. NAGAR	10OCT2016	 TE Connectivity			
TOLERANCES UNLESS OTHERWISE SPECIFIED:	APVD M. POPE	10OCT2016				
0 PLC ± -	PRODUCT SPEC		NAME ADAPTOR ASSEMBLY			
1 PLC ± -			-			
2 PLC ± -	APPLICATION SPEC		-			
3 PLC ± -			SIZE	CAGE CODE	DRAWING NO	RESTRICTED TO
4 PLC ± -			A4	00779	C-KTKK0612-0620	-
ANGLES ± -	WEIGHT		CUSTOMER DRAWING			
			SCALE	DNS	SHEET	1 OF 1
			REV 6			