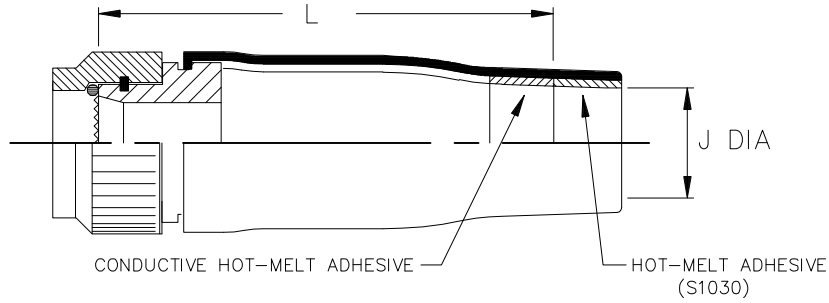


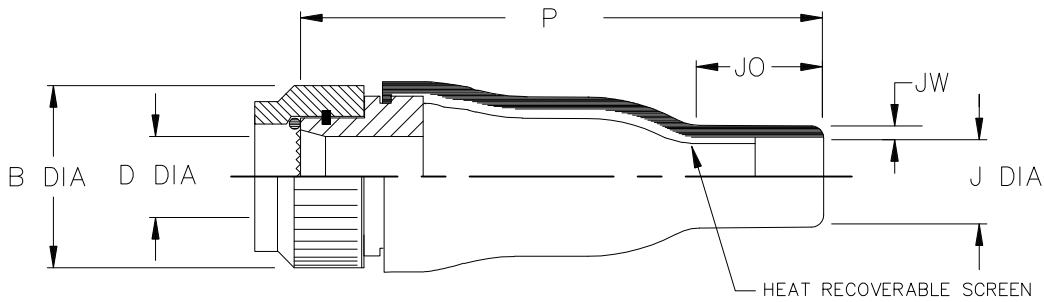
REVISIONS

P	LTR	DESCRIPTION	DATE	DWN	APVD
	13	RELEASED AS PER ECO-17-009529	03JUL2017	PV	MP

a) Part as supplied.



b) Part after unrestricted recovery.



NOTES:

Raychem Connector Code: 79  
 Connector Series: (PATT 608)  
 Adaptor Series: 229M1\*\*-01-W\*\*-K-NS  
 Nickel Aluminium Bronze to BS2874 CA104 or ASTM C 63200 or ASTM B150  
 Unplated, Shotblast - Glass Bead  
 Moulded Part Material: -100C (Black); Polyolefin/Silver Composites, Semi-flexible  
 ZEROHAL™ Low fire hazard

Kits to include cleaning tissue, 1 piece 100 grit emery cloth & packing piece.  
 Kit to be used in conjunction with installation guide for straight assemblies.


Dimensions in mm [inches for reference]

Part No.	Shell Size	B DIA MAX	D DIA MIN	J		P ±10% b	L REF a	JO REF b	JW ±30% b
				MIN a	MAX b				
KTKK0444	08	19.4 [.76]	6.3 [.25]	7 [.28]	5.0 [.20]	55 [2.17]	49 [1.93]	15 [.59]	1.0 [.04]
KTKK0445	10	21.4 [.84]	9.4 [.37]	9 [.35]	6.0 [.24]	70 [2.76]	64 [2.52]	17 [.67]	1.0 [.04]
KTKK0446	12	24.4 [.96]	14.0 [.55]	11 [.43]	7.2 [.28]	82 [3.23]	76 [2.99]	20 [.79]	1.0 [.04]
KTKK0447	14	29.3 [1.15]	14.2 [.56]	11 [.43]	7.2 [.28]	82 [3.23]	76 [2.99]	20 [.79]	1.0 [.04]
KTKK0448	16	30.9 [1.22]	18.9 [.74]	17 [.67]	8.5 [.33]	95 [3.74]	86 [3.39]	25 [.98]	1.0 [.04]
KTKK0449	18	33.9 [1.33]	18.9 [.74]	17 [.67]	8.5 [.33]	95 [3.74]	86 [3.39]	25 [.98]	1.0 [.04]
KTKK0450	20	38.6 [1.52]	23.7 [.93]	21 [.83]	10 [.39]	120 [4.72]	108 [4.25]	30 [1.18]	1.2 [.05]
KTKK0451	22	38.6 [1.52]	23.7 [.93]	21 [.83]	10 [.39]	120 [4.72]	108 [4.25]	30 [1.18]	1.2 [.05]
KTKK0452	24	42.6 [1.68]	31.7 [1.25]	29 [1.14]	15.8 [.62]	145 [5.71]	130 [5.12]	30 [1.18]	1.5 [.06]
KTKK0453	22	38.6 [1.52]	29.0 [1.14]	29 [1.14]	15.8 [.62]	145 [5.71]	130 [5.12]	30 [1.18]	1.5 [.06]

THIS DRAWING IS UNPUBLISHED.

ALL RIGHTS RESERVED.

COPYRIGHT 2016 By TE Connectivity

DIMENSIONS: mm [INCHES]	DWN P. VU	100CT2016	MATERIAL	SEE NOTES	FINISH	SEE NOTES
	CHK N. NAGAR	100CT2016	 TE Connectivity			
TOLERANCES UNLESS OTHERWISE SPECIFIED:	APVD M. POPE	100CT2016				
0 PLC ± - 1 PLC ± - 2 PLC ± - 3 PLC ± - 4 PLC ± - ANGLES ± -	PRODUCT SPEC	NAME ADAPTOR ASSEMBLY				
	APPLICATION SPEC	SIZE   CAGE CODE   DRAWING NO   RESTRICTED TO				
	WEIGHT	A4 00779 C KTKK0444-0453			-	
CUSTOMER DRAWING				SCALE	DNS	SHEET 1 OF 1   REV 13