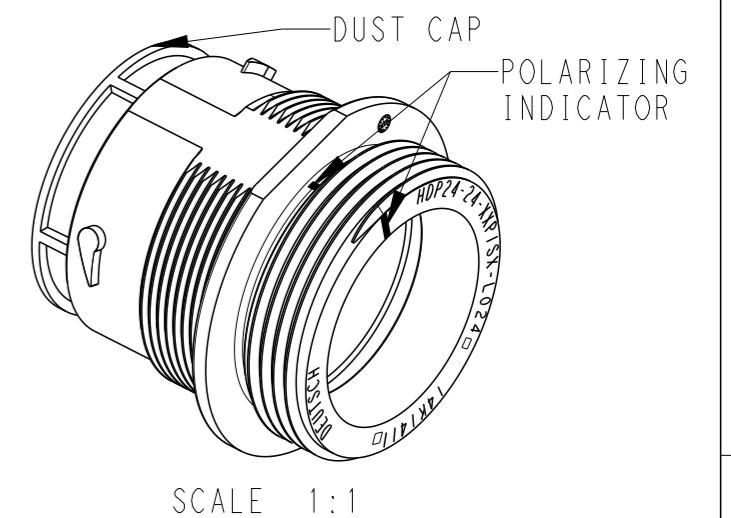


REVISED PER		DESCRIPTION	DATE	DWN	APVD
A1	ECO-16-013285		08SEP2016	DD	DM
A2	PCN-24-200566		19FEB2024	CO	CB
A3	PCN-24-213773		02JUL2024	HD	CB
B	PCN-24-219306		29AUG2024	CO	CB

- 6. RECEPTACLE IS SUPPLIED WITH DUST CAP (2415-001-2405)
- 5. NOTED DIMENSION DOES NOT INCLUDE GROMMET PROTRUSION.
- 4. MATERIAL: RECEPTACLE HOUSING: PA66 GF10 (BLACK)
 THREADED ADAPTER: PA66 GF10 (BLACK)
 GROMMET: SILICONE (GREEN, BLUE, GRAY)
- 3. SEE 0425-021-0000 APPLICATION SPECIFICATION
 A. RECOMMENDED WIRE INSULATION RANGE
 B. CONTACT REMOVAL TOOLS
 C. RECOMMENDED MOUNTING HOLE & PANEL THICKNESS
 D. MOUNTING HARDWARE & MOUNTING TORQUE.

- 9. LOCATIONS FOR TRACEABILITY WITNESS MARKS ONLY
- 8. DATE CODE: IDENTIFIES THE YEAR, MONTH, DAY AND HOUR OF ASSEMBLY.
 YEAR: FIRST AND SECOND DIGITS. (14 = 2014)
 MONTH: THRID DIGIT, EXCLUDING I. A = JAN., B = FEB., C = MARCH... (K = OCTOBER)
 DAY: FOURTH AND FIFTH DIGITS (14 = 14th DAY)
 HOUR: SIXTH AND SEVENTH DIGITS (11 = 11AM)
- 7. PART MODIFICATION: THREADED ADAPTER
 ACCEPT BACKSHELL: 2428-024-2405



2. THIS RECEPTACLE MATES WITH HDP26-24-XXP/SX-XXXX PLUG
 X = SEAL TYPE (N,T,E)
 XX = INSERT ARRANGEMENT
 XXXX = MODIFICATION

1. SEE CUSTOMER DRAWING, 0425-014-2400 FOR AVAILABLE INSERT ARRANGEMENTS AND PART NUMBERS.

NOTES:

THIS DRAWING IS A CONTROLLED DOCUMENT.		DWN 13JUL2012 ILINA GRANICHAROVA	TE Connectivity	
DIMENSIONS: INCHES [mm]		CHK 23AUG2012 ILINA GRANICHAROVA	RECEPTACLE, THREADED SIZE 24, -L024 MOD HDP SERIES	
TOLERANCES UNLESS OTHERWISE SPECIFIED: 0 PLC ± 1 PLC ± 2 PLC ± 3 PLC ±.015 [0.38] 4 PLC ± ANGLES ±0°30'0"		APVD 23AUG2012 DAVID MEYER	NAME	
MATERIAL		PRODUCT SPEC 0425-021-0000	SIZE CAGE CODE DRAWING NO RESTRICTED TO	
FINISH N/A		APPLICATION SPEC 3	A3 4AFU8 C-HDP24-24-XXP/SX-L024 -	
Customer Drawing		WEIGHT	SCALE 2:1 SHEET 1 OF 1 REV B	