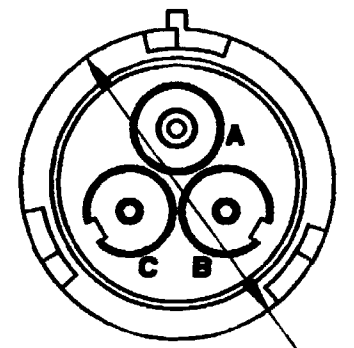
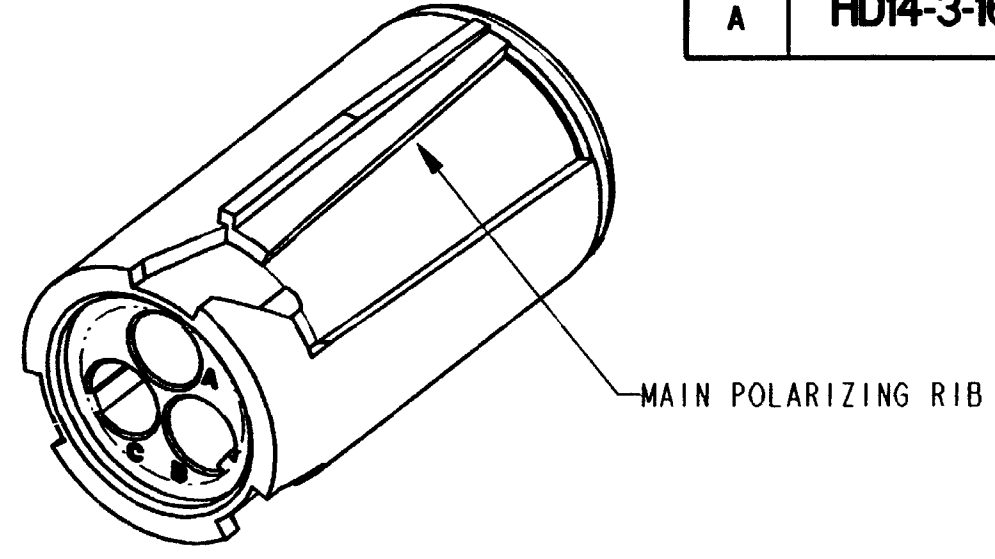
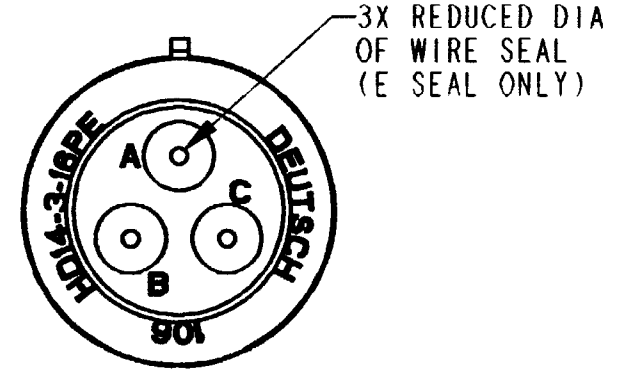
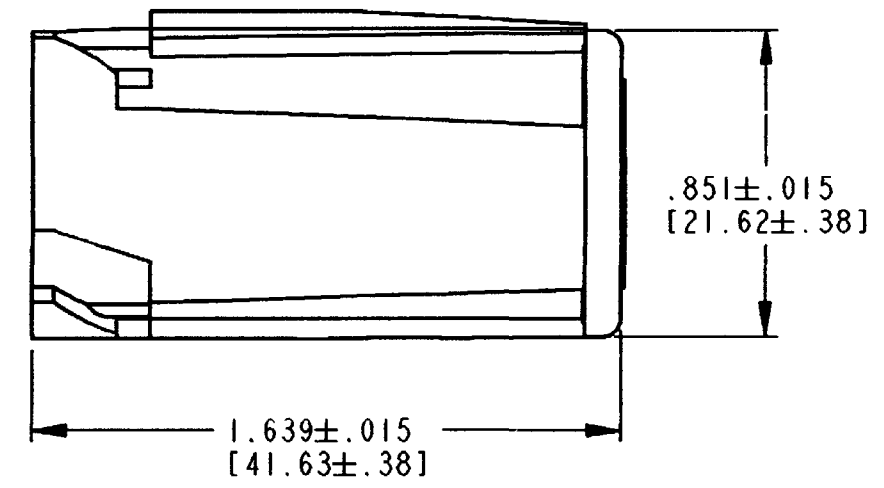


REV
A HD14-3-16P*

REVISIONS			
SYM	DESCRIPTION	DATE	APPROVED
NC	NEW RELEASE PER E.O. P19200	5/31/06	R.D.R.
A	REVISED PER E.O. P19535	5-14-07	RDR



Ø .863±.015
[21.92±.38]



- 5. * = SEAL TYPE.
- 4. FOR PERFORMANCE AND APPLICATION CHARACTERISTICS OF CONTACTS AND WIRES SEE ENVELOPE DRAWING 0425-015-0000. THIS RECEPTACLE USES PIN CONTACTS ONLY.
- 3. DIMENSIONS ARE IN INCHES [MILLIMETERS].
- 2. THIS CONNECTOR WILL ACCOMMODATE FOLLOWING WIRE INSULATION DIAMETERS:

SEAL TYPE	CONTACT SIZE	MIN. OD	MAX. OD	WIRE RANGE AWG [mm]
'BLANK'	#16	.100 [2.54]	.150 [3.81]	20 - 14 [.5 - 2.0]
E	#16	.053 [1.35]	.120 [3.05]	20 - 14 [.5 - 2.0]

NOTES: 1. CONSULT FACTORY FOR ELECTRICAL AND MATERIAL SPECIFICATIONS.

SIGNATURE & DATE	
DR	R. MESSENGER 3/8/06
CHK	K. Wray 5/11/07
PE	Spauld 5-4-07
APPD	Spauld 5-4-07
SCALE	NONE
WT	

RECEPTACLE
ARR. 3-16
HD10 SERIES

ENVELOPE

EP	MATL. CODE
The Deutsch Company DEUTSCH I.P.D. 3850 INDUSTRIAL AVE. HEMET, CALIF. 92545	
B	HD14-3-16P*
DWG SIZE	CODE 11139 SHEET 1 OF 1