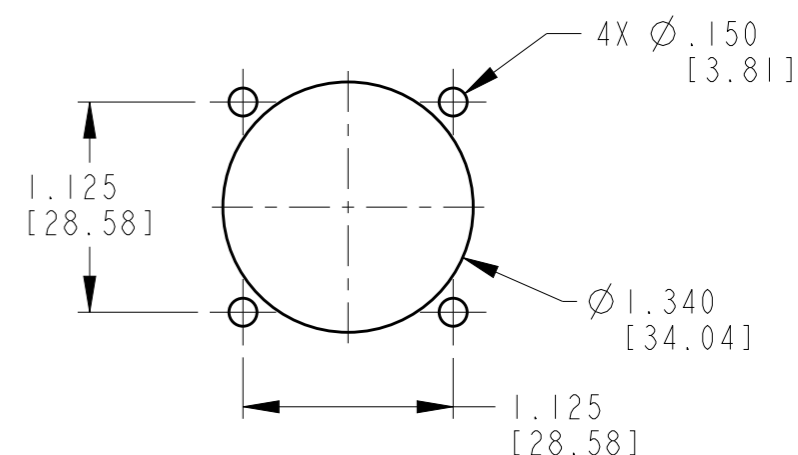
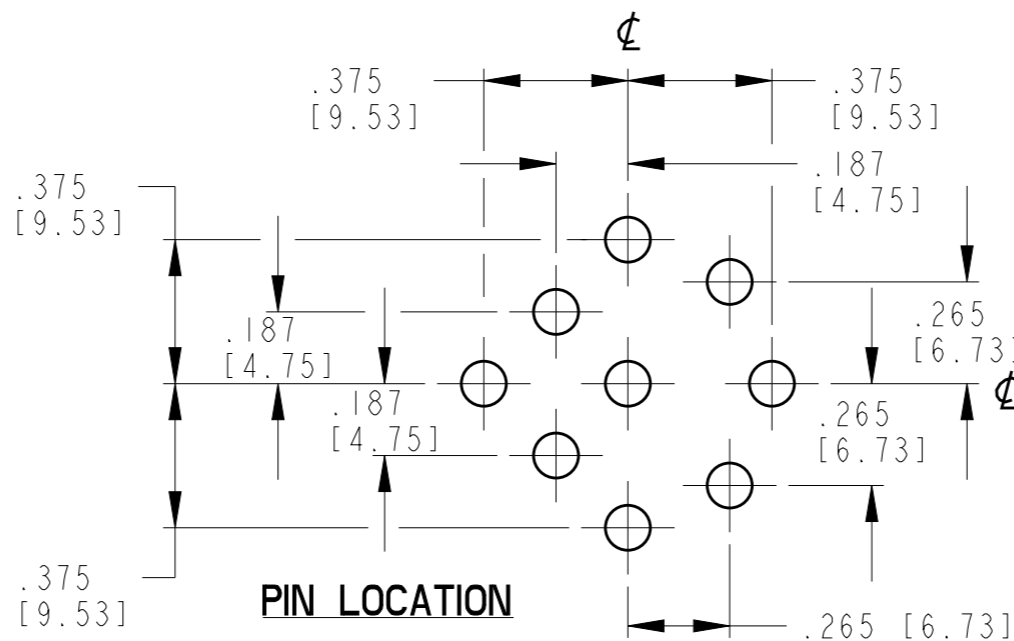
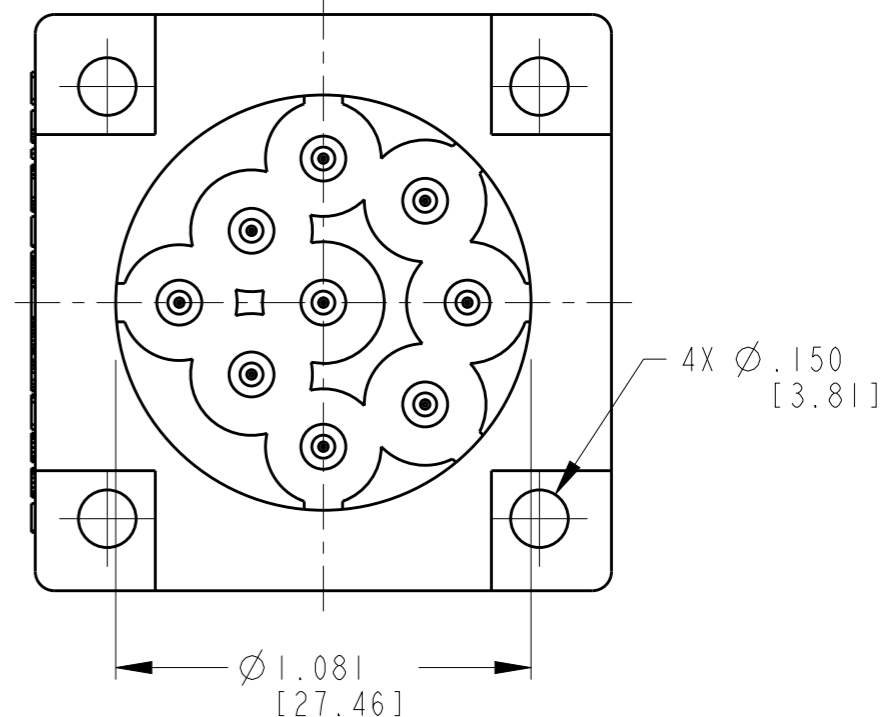
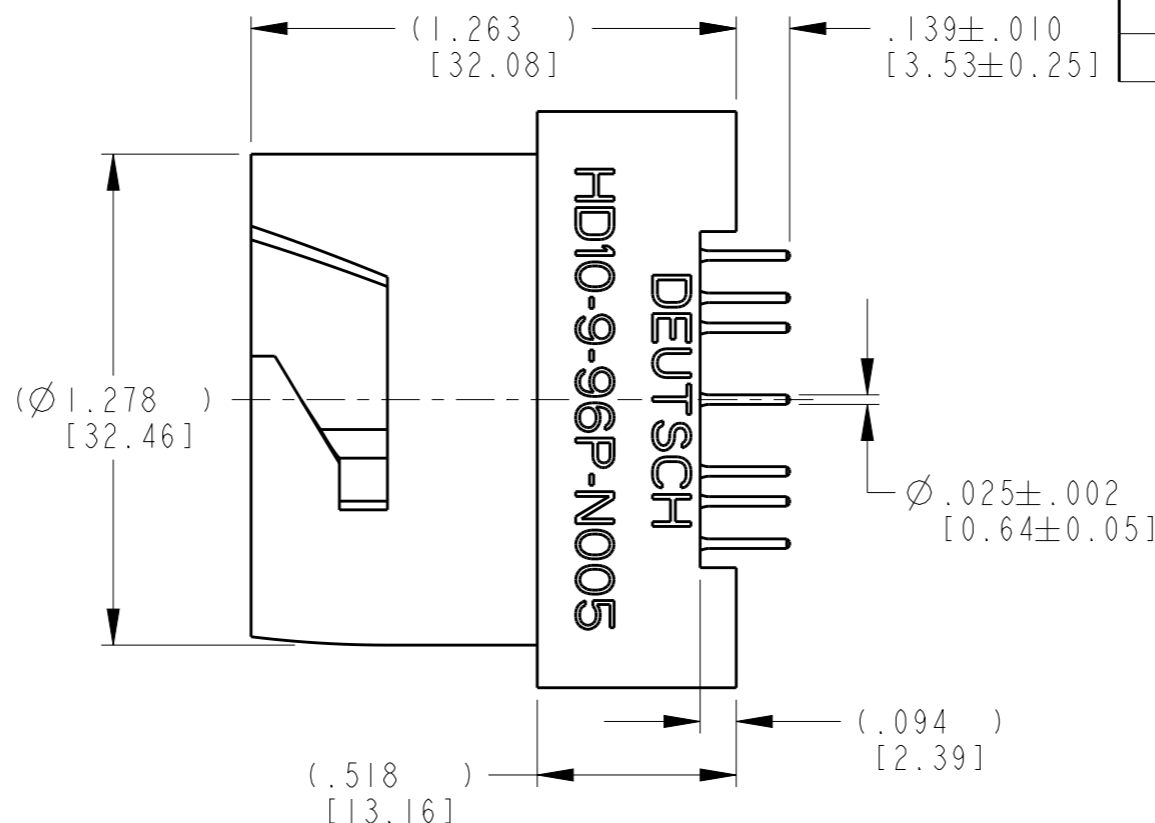
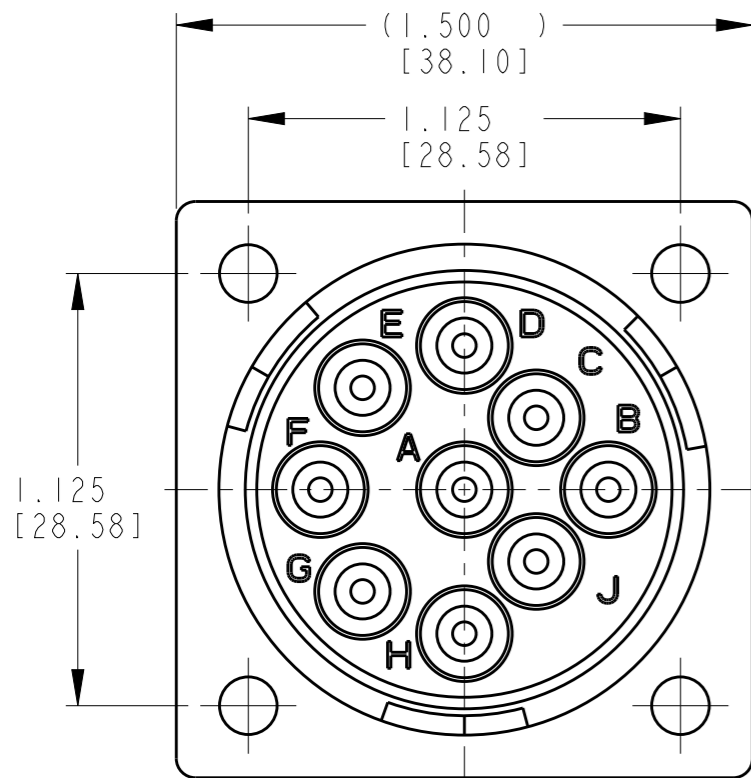


THIS DRAWING IS UNPUBLISHED
 RELEASED FOR PUBLICATION 2015
 © COPYRIGHT 1986 BY TE CONNECTIVITY ALL RIGHTS RESERVED.

LOC	DIST	REVISIONS			
P	LTR	DESCRIPTION	DATE	DWN	APVD
		C	REVISED REDRAWN PER E.O. PI9388	13OCT2006	AM RDR
		C1	REVISED PER ECO-14-015729	16OCT2014	JA DM
		C2	REVISED PER ECO-14-018705	15DEC2014	JA DM
		D	REVISED PER ECO-15-011302	11DEC2015	JA DM



3 CONTACT PLATING: MATING SIDE AND PCB SIDE: TIN (ROHS COMPLIANT) OVER NICKEL.

2 HOUSING MATERIAL: PPS 40% GF (BLACK)

1. THIS RECEPTACLE MATES WITH HD16-9-96SX-XXXX (XXXX = ALL MODIFICATIONS) CONSULT FACTORY FOR MODIFICATIONS

NOTES:

TE INTERNAL PN	DEUTSCH PN
HD10-9-96P-N005	HD10-9-96P-N005

THIS DRAWING IS A CONTROLLED DOCUMENT.		DWN T. SCARPETTA 02JUN1986	TE Connectivity	
DIMENSIONS: INCHES [mm]		CHK JEFF ALBERS 21JUN1986		
TOLERANCES UNLESS OTHERWISE SPECIFIED:		APVD JEFF ALBERS 21JUN1986	NAME RECEPTACLE, HEADER, FLANGE SHELL SIZE 9, 9 PIN, #16 SIZE HD10 SERIES	
0 PLC \pm		PRODUCT SPEC N/A	SIZE A3	
1 PLC \pm		APPLICATION SPEC N/A	CAGE CODE 4AFU8	
2 PLC \pm		WEIGHT 41.12g	DRAWING NO. HD10-9-96P-N005	
3 PLC $\pm .005$ [0.13]		Customer Drawing	RESTRICTED TO GEN	
4 PLC \pm			SCALE 2:1	
ANGLES \pm			SHEET 1 OF 1	
FINISH 3			REV D	