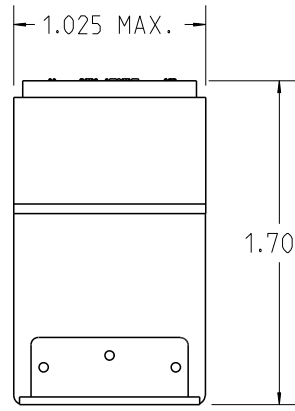
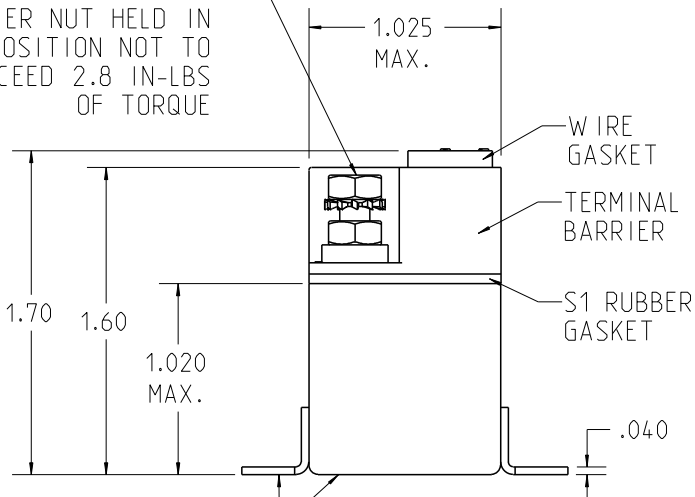
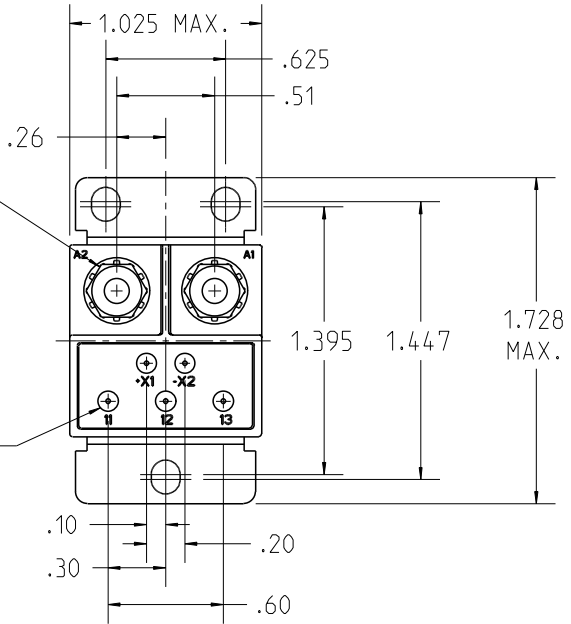


TOLERANCES
 XX = ±.03
 XXX = ±.010

M4 X .7 STUD (2X)
 DIN 6798A LOCK WASHER (2X)
 DIN 934 NUT HEX (4X)

DESIGNED FOR
 MIL-C-39029/22-192
 CONTACTS (5X)

UPPER NUT TORQUE
 NOT TO EXCEED
 11 IN-LBS WITH
 LOWER NUT HELD IN
 POSITION NOT TO
 EXCEED 2.8 IN-LBS
 OF TORQUE



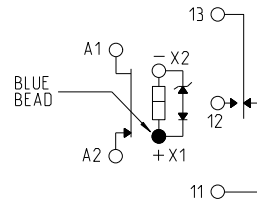
REV. A
 dco 301416

COIL: @ 25°C
 RESISTANCE 290 OHMS ± 10%
 NOMINAL VOLTAGE 28.0 VDC
 MUST OPERATE 13.5 VDC MAX.
 MUST RELEASE 5.5 VDC MAX.; 2.3 VDC MIN.

ENVIRONMENT:
 VIBRATION 75 Hz TO 3000 Hz @ 20 g's
 SHOCK 50 g's 11 MS. DURATION
 TEMPERATURE -70 °C TO +125 °C

NOTES: OPERATE AND RELEASE 15ms MAX. AT 25°C
 CONTACT BOUNCE 1ms MAX. AUX BOUNCE 5ms MAX.
 DIELECTRIC 1250 Vrms MAX./60Hz (1000 Vrms/60 Hz COIL TO CASE). COIL TRANSIENT SUPPRESSION 42 Vdc MAX.

CUSTOMER DATA SHEET



TERMINAL VIEW

CONTACT RATING: 50 AMPS 28 Vdc
 AUX 2 AMP 28Vdc
 RESISTIVE 50,000 OPERATIONS EACH

DR. TWHaynes 190ct11 CK. *MS 10/15/11*



CUST. CII CATALOG
 CUST. NO. - REV. -

TE NUMBER
 5-1617802-5

CII PART NUMBER
 FC AC -150NC -KU4