

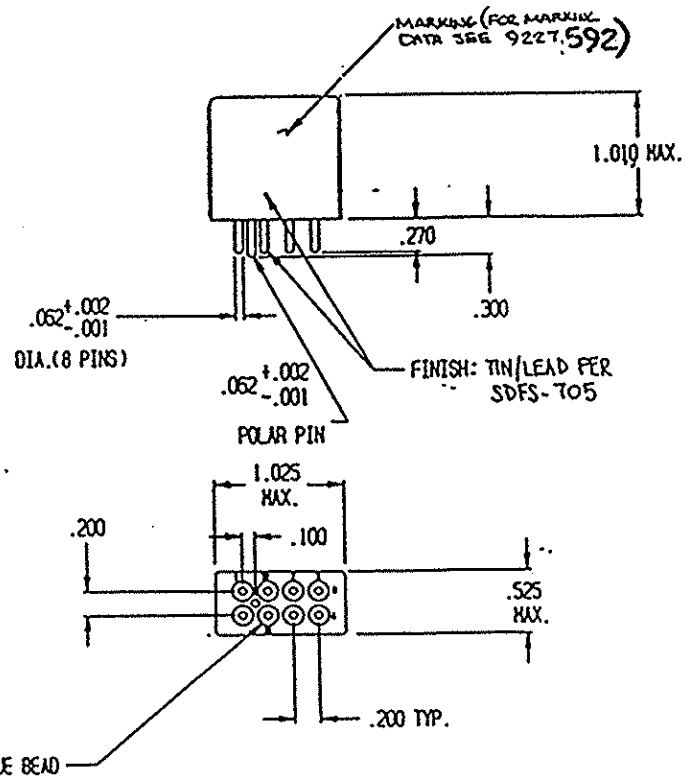
# MSD INC.

# ENGINEERING DATA SHEET

RELAY TYPE: FCA-210-BZ2	COMPUTER PART No.: 9227592	TEST PROCEDURE MSDP-791
CUSTOMER/SPECIFICATION: CATALOG ITEM		REV NONE

TEST REQUIREMENTS

COIL RES.:  $\pm 10\%$  80 OHMS OPERATE TIME: 10ms MAX RELEASE TIME: 10ms MAX  
 CONTACT MAKE BOUNCE: 1ms MAX N.O. BREAK BOUNCE: N/A  
 CONTACT STABILIZATION TIME: N/A RATED COIL VOLTAGE: 12Vdc  
 CONTACT RES.: MFG TEST: 8 Milliohms @ 10mA FINAL TEST: 10 Milliohms @ 10mA  
 CONTACT VOLTAGE DROP: FINAL TEST: 100mV @ 10A-6Vdc  
 HI-POT: 1250 Vrms ALL POINTS, EXCEPT 1000 Vrms COIL TO CASE  
 INSULATION RESISTANCE: 100 MEGOHMS MIN @ 500 Vdc  
 VIBRATION: N/A  
 SEAL TEST:  $1 \times 10^{-8}$  MAX LEAK RATE COIL TRANSIENT SUPPRESSION: N/A  
 OTHER: \_\_\_\_\_



Prepared By: Date		Approved By: Date	
LES WYNNE 5-10-96		<i>[Signature]</i> 5-10-96	
Rev	ECN No.	Date	
A	96-065	5-10-96	

SPECIAL INSTRUCTIONS