

RAYCHEM CABLE CLAMPS SINGLE

KEY FEATURES

- Range accepts cable diameters from 15-106mm
- Single level or stackable configurations
- Captive elastomeric inserts for increased cable protection and containment
- Patented slider plate design maximises clamp performance when under shock load
- 33% glass fibre reinforced polyamide resin, UV stabilised, self-extinguishing, impact resistant material

Raychem cable clamps have been designed such that the bottom half of the cable clamp can be mounted in position before positioning the cables. The cables can then be aligned and located in the bottom half of the clamp prior to tightening. Other clamps require the cables to be positioned at the same time as the clamp itself, which is difficult to achieve, especially in vertical applications.

Elastomeric inserts are provided with all clamps. This ensures excellent mechanical performance in particular under fault conditions. It also maximises cable contact, even on “non-round” cables, as is the case on many 3 core cable designs which tend to be more “tri-round”.

Raychem cable clamps are optimised for harsh environments with stainless steel hardware and self-extinguishing, UV stabilised materials.

Customers can count on consistent, high quality products, driven by TE's proven innovation and backed by our extraordinary customer support.

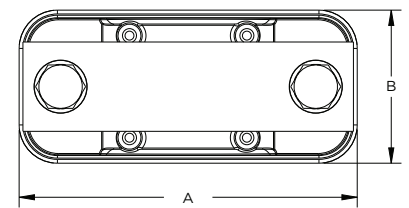
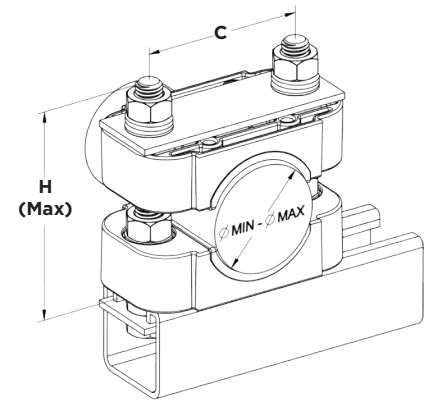
RAYCHEM SINGLE CABLE CLAMPS



Raychem Single Cable Clamps are available as single clamps with or without hardware, and as a double stacked configuration. Furthermore, TE Connectivity's in-house design team is on hand to produce tailor made schematics and specify technical details for custom cable clamp layouts that suit your specific needs. Please contact your local TE Connectivity Representative for more details.

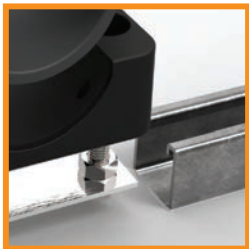
SINGLE LEVEL CLAMPS WITH HARDWARE ORDERING INFORMATION

TE Part Number	Min Cable Ø mm (in)	Max Cable Ø mm (in)	Width A mm (in)	Depth B mm (in)	Bolt Hole Ctrs C mm (in)	Installed Height H - Max mm (in)	Bolt Ø	Type
CC15-26-SN-M10	15	26	90	60	60	75	M10	Strut Nut
CC15-26-SN-M12	(0.59)	(1.02)	(3.54)	(2.36)	(2.36)	(2.95)	M12	Strut Nut
CC26-38-SN-M10	26	38	90	60	60	75	M10	Strut Nut
CC26-38-SN-M12	(1.02)	(1.5)	(3.54)	(2.36)	(2.36)	(2.95)	M12	Strut Nut
CC38-50-PL-M12	38	50	104	60	75	100	M12	Slider Plate
CC38-50-SN-M12	(1.5)	(1.97)	(4.09)	(2.36)	(2.95)	(3.94)	M12	Strut Nut
CC50-60-PL-M12	50	60	133	60	100	116	M12	Slider Plate
CC50-60-SN-M12	(1.97)	(2.36)	(5.24)	(2.36)	(3.94)	(4.57)	M12	Strut Nut
CC60-70-PL-M12	60	70	146	70	114	130	M12	Slider Plate
CC60-70-SN-M12	(2.36)	(2.76)	(5.75)	(2.76)	(4.49)	(5.12)	M12	Strut Nut
CC68-81-PL-M12	68	81	146	70	114	130	M12	Slider Plate
CC68-81-SN-M12	(2.68)	(3.19)	(5.75)	(2.76)	(4.49)	(5.12)	M12	Strut Nut
CC80-92-PL-M12	80	92	176	75	142	155	M12	Slider Plate
CC80-92-SN-M12	(3.15)	(3.62)	(6.93)	(2.95)	(5.59)	(6.1)	M12	Strut Nut
CC92-106-PL-M12	92	106	176	75	142	155	M12	Slider Plate
CC92-106-SN-M12	(3.62)	(4.17)	(6.93)	(2.95)	(5.59)	(6.1)	M12	Strut Nut

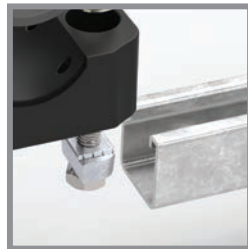


SINGLE LEVEL CLAMPS WITHOUT HARDWARE ORDERING INFORMATION

TE Part Number	Min Cable Ø	Max Cable Ø	Width A	Depth B	Bolt Hole Ctrs C	Installed Height H - Max	Bolt Ø
CC26-38-M10-CLAMP-ONLY	26	38	90	60	60	75	M10
CC38-50-M12-CLAMP-ONLY	38	50	104	60	75	100	M12
CC50-60-M12-CLAMP-ONLY	50	60	133	60	100	130	M12
CC60-70-M12-CLAMP-ONLY	60	70	146	70	114	130	M12
CC68-81-M12-CLAMP-ONLY	68	81	146	70	114	130	M12
CC80-92-M12-CLAMP-ONLY	80	92	176	75	142	155	M12
CC92-106-M12-CLAMP-ONLY	92	106	176	75	142	155	M12



SLIDER PLATE VERSION
Used where access to the end of the mounting rail is achievable



STRUT NUT VERSION
Used where access to the end of the mounting rail is not possible

te.com/energy

©2016 TE Connectivity Ltd. family of companies. All Rights Reserved. EPP-2211-DDS01-AU-5/16-EN-CC-Raychem Cable Clamps (CC)

Utilux, TE Connectivity and TE Connectivity (logo) are trademarks. Other logos, product and/or company names might be trademarks of their respective owners. While TE has made every reasonable effort to ensure the accuracy of the information in this brochure, TE does not guarantee that it is error-free, nor does TE make any other representation, warranty or guarantee that the information is accurate, correct, reliable or current. TE reserves the right to make any adjustments to the information contained herein at any time without notice. TE expressly disclaims all implied warranties regarding the information contained herein, including, but not limited to, any implied warranties of merchantability or fitness for a particular purpose. The dimensions in this catalog are for reference purposes only and are subject to change without notice. Specifications are subject to change without notice. Consult TE for the latest dimensions and design specifications.

FOR MORE INFORMATION: TE Customer Support Centers

NSW/QLD/NT/ACT:	+61 (2) 9554 2695
VIC/TAS/SA:	+61 (3) 9271 5243
WA:	+61 (8) 9358 7806
New Zealand:	+64 (9) 634 4580
Email:	marketingANZ@te.com