



## Insulated insulation piercing connectors (IIPC)

IIPC connectors allow live jointing of solid or stranded service cables up to 35mm<sup>2</sup> onto LV mains cables from 50mm<sup>2</sup> to 300mm<sup>2</sup>. This includes solid or stranded 120 and 90 degree sectoral or round conductors with XLPE, PVC, or paper insulation.

The ergonomic design allows up to two service cables to be taken from each IIPC with the option of taking the service connections from either side of the connector.

The main connection is made using a 19mm insulated socket or a battery powered impact wrench, and the service connections are made using an insulated 3mm Allen key. Live working procedures should be followed during installation.

### Features

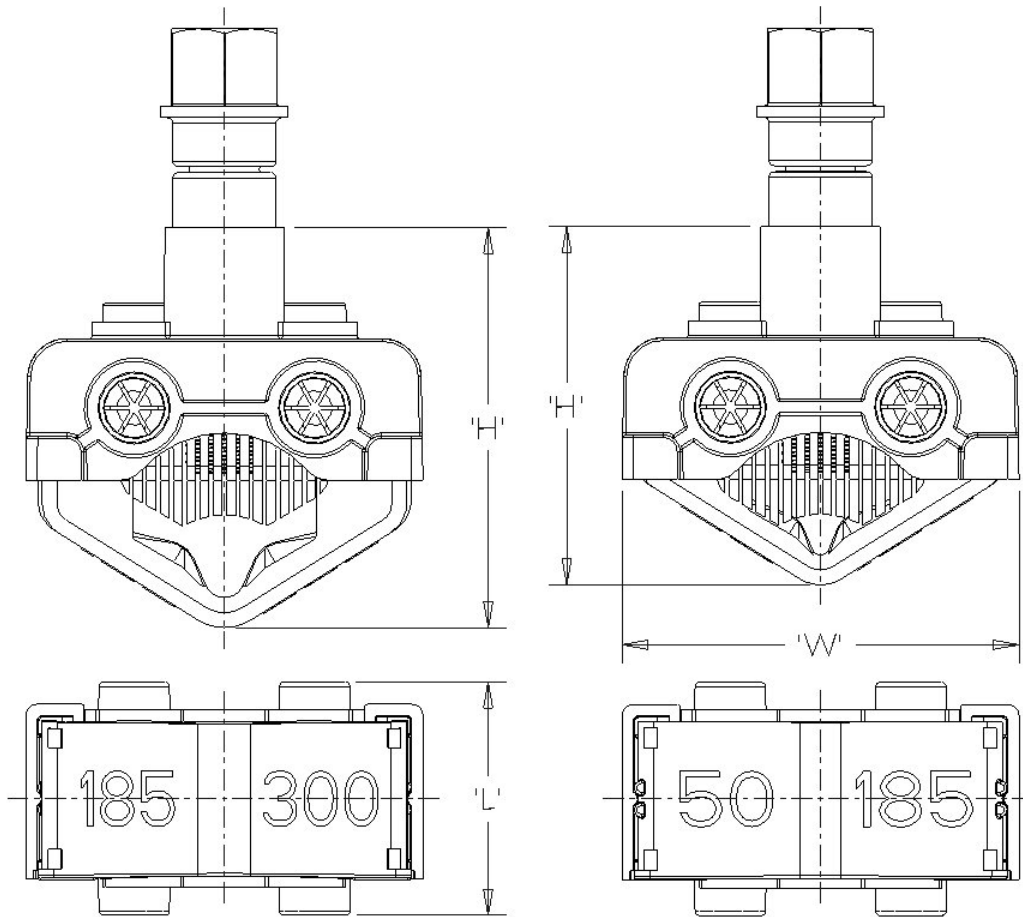
- Fully insulated
- Suitable for live working
- 2 service connections
- Torque controlled
- Range taking
- Reduced size

### Benefits

- Quick and easy to install
- Ergonomic design
- Reduced size joint shell and resin volume

### Standards

- Tested to IEC 61238-1



Reference	PN	TCPN	W	H (mm)	L	Conductor range (mm <sup>2</sup> )	Socket/ Spanner A/F (mm)	Description
IIPC50-185	BAH-021500032	CU8610-000	71	64	42	50-185	19	
IIPC185-300	BAH-021500033	CU8611-000	71	72	42	185-300	19	
IIPC50-300	BAH-021500034	CU8625-000	71	64/72	42	50-300	19	

While TE has made every reasonable effort to ensure the accuracy of the information in this catalogue, TE does not guarantee that it is error-free, nor does TE make any other representation, warranty or guarantee that the information is accurate, correct, reliable or current. TE reserves the right to make any adjustments to the information contained herein at any time without notice. TE expressly disclaims all implied warranties regarding the information contained herein, including, but not limited to, any implied warranties of merchantability or fitness for a particular purpose. The dimensions in this catalogue are for reference purposes only and are subject to change without notice. Specifications are subject to change without notice. Consult TE for the latest dimensions and design specifications. TE connectivity (logo), TE (logo) and TE Connectivity are trademarks of the TE Connectivity Ltd. family of companies. Other logos, product and company names mentioned herein may be trademarks of their respective owners

TE Energy - innovative and economical solutions for the electrical power industry: cable accessories, connectors & fittings, insulators & insulation, surge arresters, switching equipment, street lighting, power measurement and control.

**Tyco Electronics UK Ltd**  
 TE Energy  
 Freebournes Road  
 Witham, Essex CM8 3AH

Phone: +44 (0)870 870 7500  
 Fax: +44 (0)870 240 5289  
 Email: ukutilities@te.com  
 www.energy.te.com



Date: 26/01/2012  
 Revision: A  
 DATA SHEET  
 Number: EPP-1921

©Tyco Electronics UK Ltd.