



## MEDIUM VOLTAGE LINE COVER

### WILDLIFE AND ASSET PROTECTION PRODUCTS

#### KEY FEATURES

- Two sizes cover conductors from #6- 397 kcmil (19-356 mm<sup>2</sup>)
- A mastic sealed version of this product is available

The MVLC medium voltage line cover provides state-of-the-art insulation to help prevent electrical outages caused by trees or wildlife coming into contact with distribution lines. Designed to insulate existing bare lines without costly conductor replacement expenditures or additional line hardware, the MVLC cover may be applied selectively on problem spans when temperatures are above 0°C.

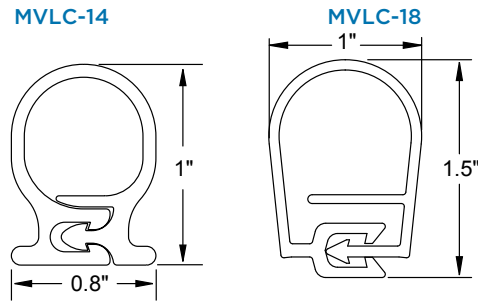
The MVLC cover material formulation is based on Raychem products' field-proven experience with MV products in harsh environments. The MVLC material is UV stable as well as tracking and erosion resistant. The MVLC cover is cross-linked material to create an extremely robust insulation system, ensuring many years of reliable operation in the harshest environments.

TE Connectivity has designed a special tool that ensures fast and reliable application of the MVLC cover on energized lines. It attaches directly to the overhead conductor and remains stationary in a single location on each span. The tool may be manually or automatically operated, using a hand crank or with the aid of a gasoline powered drill. The tool forms, closes, and feeds the MVLC cover along the conductor with speed and consistency.

**Customers can count on consistent, high quality products, driven by TE's proven innovation and backed by our extraordinary customer support.**



TE's wildlife and asset protection products and systems of tubes, tapes, sheets, pre-formed covers and barriers provide a proven, cost-effective and easy-to-install solution to bird, animal and weather related outages.



Product Weight (Nominal)	
MVLC-14	0.27kg/m (0.18 lbs/ft)
MVLC-18	0.40kg/m (0.27 lbs/ft)

PRODUCT PERFORMANCE MVLC-A/U   MVLC-A/241 (Sealed)				
TEST	AC withstand (dry), 1 minute	15 kV min. / 25 kV min.		
	AC withstand (wet), 1 minute	15 kV min. / 25 kV min.		
	AC long term withstand (dry), 4 hours	8.6 kV min. / 14.4 kV min.		
	30 day thermal loading (8 hr at 130°C; 16 hr off)	No MVLC deformation		
	Conductor ampacity	82-89% of bare conductor ampacity		
PHYSICAL	<b>Material properties/pps 3010/42</b>	<b>Test Method</b>	<b>Requirement</b>	
	Tensile Strength	ASTM D638	8 MPa min. 1150 psi min.	
	Ultimate Elongation	ASTM D638	200% min.	
	Abrasion Resistance	1000 cycles, 2068g	20% max. thickness loss	
ELECTRICAL	Low Temperature Impact	ASTM D746	No cracking at -20°C	
	Dielectric Strength	ASTM D149	217 kV/cm @ 1.27 mm 550 V/mil min. at 0.050"	
SELECTION	Tracking/Erosion Resistance	ASTM D2303 Step Voltage Method (Initiate at 2.5 kV)	No tracking or erosion to top surface or flame failure after: 200 minutes	
	<b>Description</b>	<b>Conductor Size Up To</b>	<b>Voltage Class</b>	<b>UOM: m (ft) Spool Length*</b>
	MVLC-14-A/U	126 mm <sup>2</sup> (3/0)	15 kV	100 (330)
	MVLC-14-A/241	126 mm <sup>2</sup> (3/0)	25 kV	100 (330)
	MVLC-18-A/U	356 mm <sup>2</sup> (397 kcmil)	15 kV	75 (247)
MVLC-18-A/241	356 mm <sup>2</sup> (397 kcmil)	25 kV	75 (247)	
<i>Note: Non-Impact Hydraulic Drill available. *6ft cut lengths also available. Order OLIC-C &amp; S1251 for connectors/drainage points. MVLC-Hand-Tool-02 works with MVLC-18. MVLC-Hand-Tool-14 will install MVLC-14 products only.</i>				

TECHNICAL REPORT	
EDR-5308	MVLC Electrical Testing (-18)
EDR-5309	MVLC Material Qualification to PPS 3010/42
EDR-5316	Summary of Wind and Ice/Snow Load testing of MVLC at EA Technology

**FOR MORE INFORMATION: TE Technical Support Centers**

USA:	+ 1 800 327 6996
France:	+ 33 380 583 200
UK:	+ 44 0870 870 7500
Germany:	+ 49 896 089 903
Spain:	+ 34 916 630 400
Benelux:	+ 32 16 351 731
Canada:	+ 1 (905) 475-6222
Mexico:	+ 52 (0) 55-1106-0800
Latin/S. America:	+ 54 (0) 11-4733-2200
China:	+ 86 (0) 400-820-6015

te.com/energy

©2011, 2014 TE Connectivity Ltd. family of companies. All Rights Reserved. 1308377 E113 10/14

Raychem, TE Connectivity and TE connectivity (logo) are trademarks. Other logos, product and/or company names might be trademarks of their respective owners. While TE has made every reasonable effort to ensure the accuracy of the information in this brochure, TE does not guarantee that it is error-free, nor does TE make any other representation, warranty or guarantee that the information is accurate, correct, reliable or current. TE reserves the right to make any adjustments to the information contained herein at any time without notice. TE expressly disclaims all implied warranties regarding the information contained herein, including, but not limited to, any implied warranties of merchantability or fitness for a particular purpose. The dimensions in this catalog are for reference purposes only and are subject to change without notice. Specifications are subject to change without notice. Consult TE for the latest dimensions and design specifications.