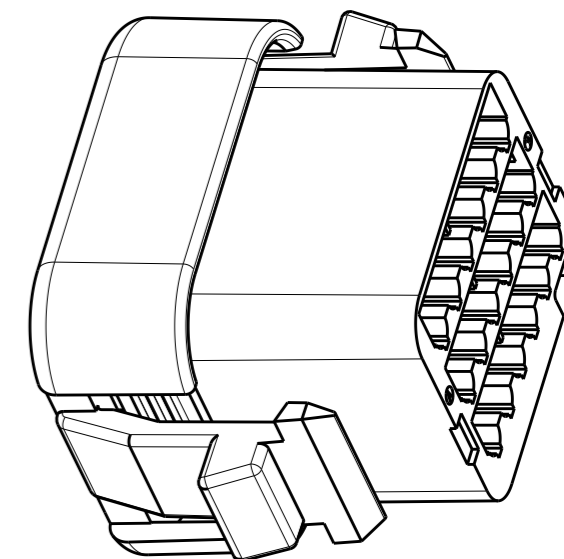
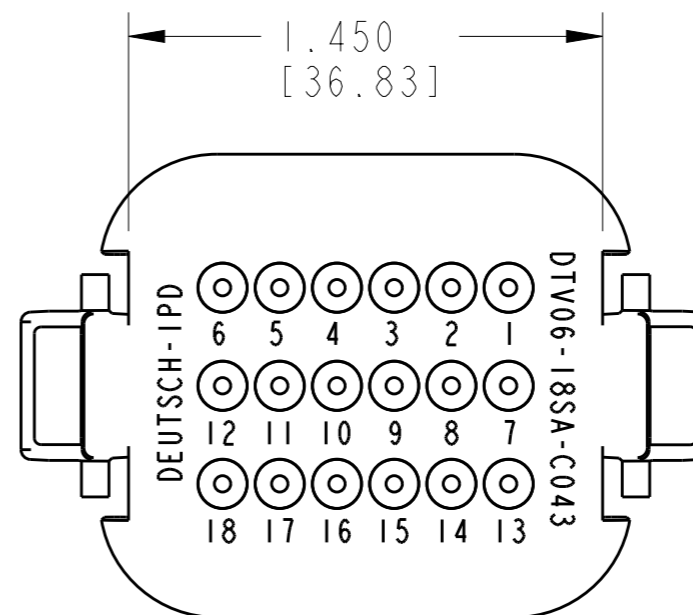
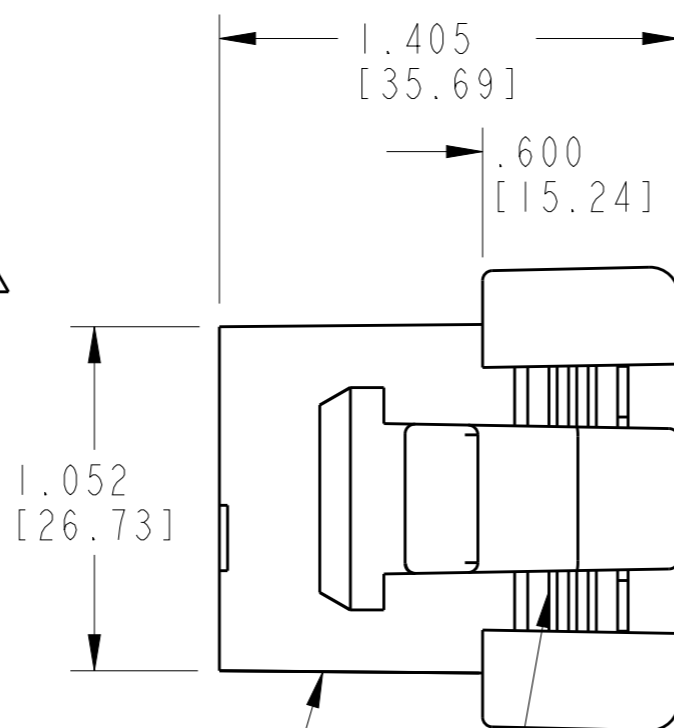
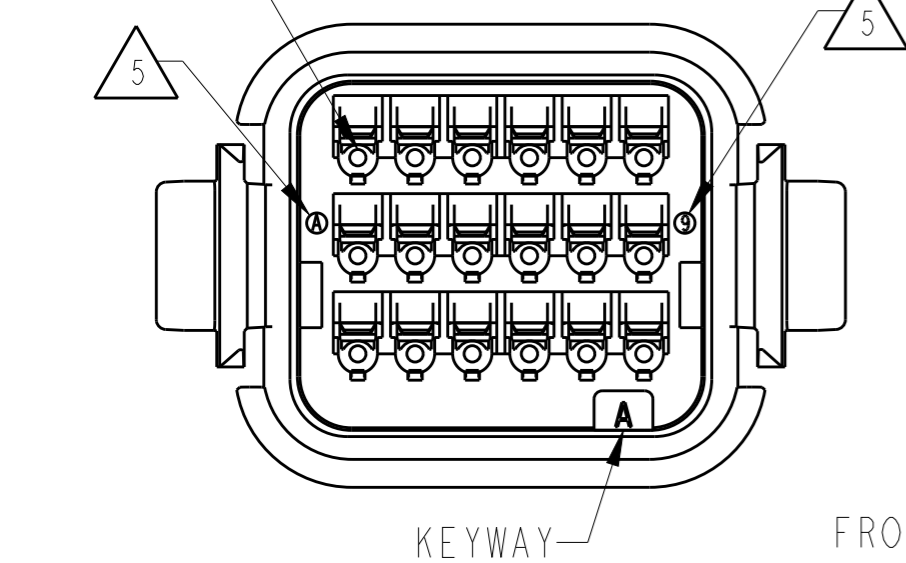
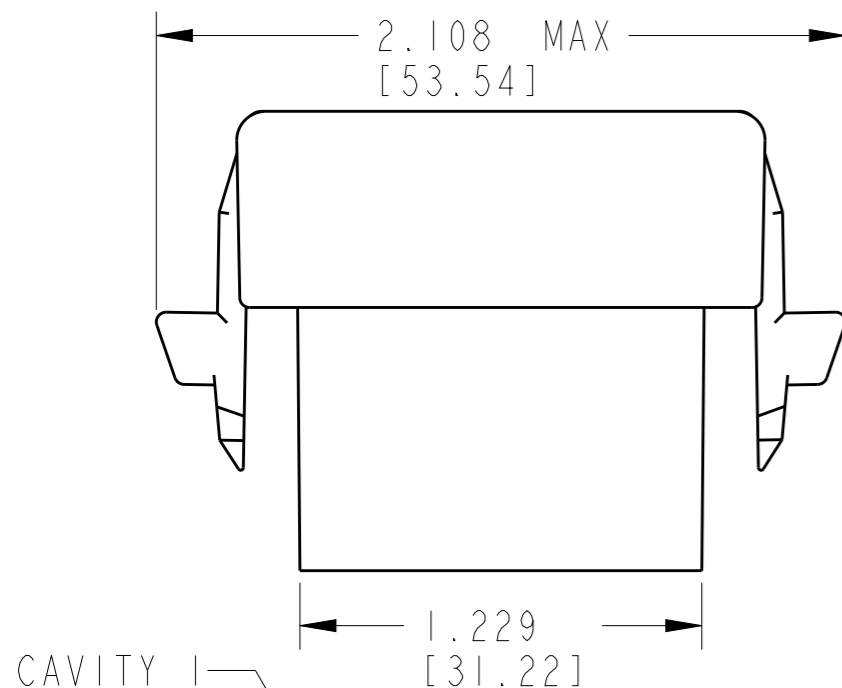


REVISIONS

P	LTR	DESCRIPTION	DATE	DWN	APVD
	A	NEW RELEASE	14DEC2015	DH	DM

CONTACT SIZE	MIN. INSUL. O.D.	MAX. INSUL. O.D.	WIRE RANGE [mm ²] REF ONLY
16	.088 [2.23]	.145 [3.68]	14-20 AWG [2.0-0.5]



FRONT HOUSING
GROMMET
REAR HOUSING

TE INTERNAL PN	DEUTSCH PN
2298136-1	DTV06-18SA-C043
2298136-2	DTV06-18SB-C043

- 6 PART MODIFICATION: PHENYL FLUID LUBED BLUE GROMMET
- 5 DATE CODE: MONTH IS REPRESENTED BY SEQUENTIAL ALPHA CHARACTERS. EX: A = JANUARY; YEAR IS REPRESENTED BY LAST NUMERICAL DIGIT. EX: 9 = 2009

- 4. SEE SHEET 2 FOR OTHER KEY ARRANGMENTS.
- 3 MATERIALS:
HOUSING (FRONT, REAR): PA66 GF15 (A KEY=GRAY; B KEY=BLACK)
GROMMET: VMQ WITH PHENYL FLUID LUBED (BLUE)
- 2. THIS PLUG MATES WITH DTV02-18PX-XXXX RECEPTACLE.
(X = A,B KEYS; XXXX = ALL MODIFICATIONS.)
CONSULT FACTORY FOR MODS.
- 1. ITEMS SOLD SEPERATELY: SECONDARY WEDGE LOCK WV-18S

NOTES:

THIS DRAWING IS A CONTROLLED DOCUMENT.		DWN 04DEC2015 D.HASIBUAN	TE Connectivity	
DIMENSIONS: INCHES [mm]		CHK 14DEC2015 D.WHITACRE		
TOLERANCES UNLESS OTHERWISE SPECIFIED:		APVD 14DEC2015 D.MEYER	NAME PLUG 18 CONTACTS, SIZE 16 KEYS A,B -C043 MOD DTV SERIES	
0 PLC ±- 1 PLC ±- 2 PLC ±- 3 PLC ±.025[0.64] 4 PLC ±- ANGLES ±0°30'0"		PRODUCT SPEC 108-151013	SIZE A3	CAGE CODE 4AFU8
MATERIAL 3		APPLICATION SPEC 0425-015-0000	DRAWING NO DTV06-18SX-C043	RESTRICTED TO -
FINISH -		WEIGHT 30.4g	SCALE 2:1 SHEET 1 OF 2 REV A	
		CUSTOMER DRAWING		

4

3

2

1

THIS DRAWING IS UNPUBLISHED

RELEASED FOR PUBLICATION

2015

© COPYRIGHT 2002

BY TE CONNECTIVITY

ALL RIGHTS RESERVED.

REVISIONS

P	LTR	DESCRIPTION	DATE	DWN	APVD
		SEE SHEET 1			

CAVITY 1

KEYWAY

DTV06-18SA-C043
KEY ARRANGEMENT -A-
COLOR: GRAY

CAVITY 1

KEYWAY

DTV06-18SB-C043
KEY ARRANGEMENT -B-
COLOR: BLACK

THIS DRAWING IS A CONTROLLED DOCUMENT.		DWN D. HASIBUAN 04DEC2015														
DIMENSIONS: INCHES [mm]		CHK D. WHITACRE 14DEC2015														
TOLERANCES UNLESS OTHERWISE SPECIFIED:		APVD D. MEYER 14DEC2015	NAME PLUG 18 CONTACTS, SIZE 16 KEYS A,B -C043 MOD DTV SERIES													
<table border="1"> <tr> <td>0 PLC</td> <td>±-</td> </tr> <tr> <td>1 PLC</td> <td>±-</td> </tr> <tr> <td>2 PLC</td> <td>±-</td> </tr> <tr> <td>3 PLC</td> <td>±.025[0.64]</td> </tr> <tr> <td>4 PLC</td> <td>±-</td> </tr> <tr> <td>ANGLES</td> <td>±0°30'0"</td> </tr> </table>		0 PLC	±-	1 PLC	±-	2 PLC	±-	3 PLC	±.025[0.64]	4 PLC	±-	ANGLES	±0°30'0"	PRODUCT SPEC 108-151013	SIZE A3	
0 PLC	±-															
1 PLC	±-															
2 PLC	±-															
3 PLC	±.025[0.64]															
4 PLC	±-															
ANGLES	±0°30'0"															
MATERIAL 3		APPLICATION SPEC 0425-015-0000	CAGE CODE 4AFU8	DRAWING NO DTV06-18SX-C043												
FINISH -		WEIGHT 30.4g	RESTRICTED TO -	SCALE 2:1												
		CUSTOMER DRAWING	SHEET 2 OF 2	REV A												

1470-19 (3/13)