

7 SEE SHEETS 2 AND 3 FOR OTHER KEY ARRANGEMENTS.

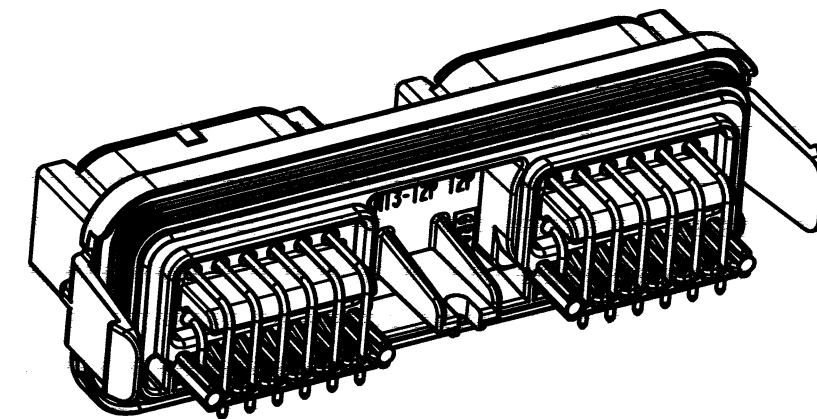
6. THIS RECEPTACLE IS USED WITH EEC-325X4(A OR B) ENCLOSURE. SEE ENVELOPE DRAWING EEC-325X4A/EEC-325X4B FOR ENCLOSURE INFORMATION.

- 5. THIS RECEPTACLE MATES WITH DTM06-12S\*-\*\*\*\* PLUG, 2 REQD. (\* = A,B,C,D KEYS; \*\*\*\* = ALL MODIFICATIONS).
- 4. MATERIAL - PLASTIC (BLACK); SEALS: RUBBER.
- 3. CONTACT PLATING - MATING SIDE: GOLD; PCB SIDE: TIN (-GR01 MOD).
- 2. DIMENSION TOLERANCE: ±.64 [0.025].
- 1. DIMENSIONS ARE IN MILLIMETERS [IN].

NOTES: UNLESS OTHERWISE SPECIFIED

REV D DTM13-12P\*-12P\*-GR01

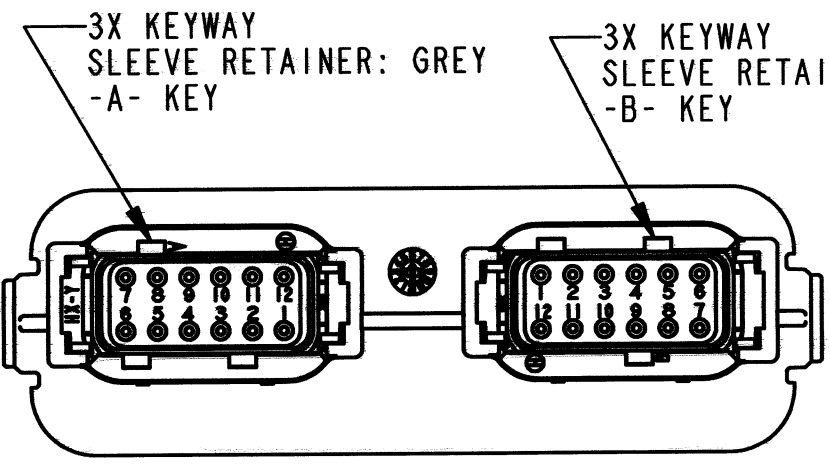
REVISIONS			
SYM	DESCRIPTION	DATE	APPROVED
A	REVISED PER E.O. P18708	7-29-05	R.D.R.
B	REVISED PER E.O. P19335	8-3-06	R.D.R.
C	REVISED PER E.O. P19952	7/30/08	RDR
D	REVISED PER E.O. P20972	11-7-11	RDR



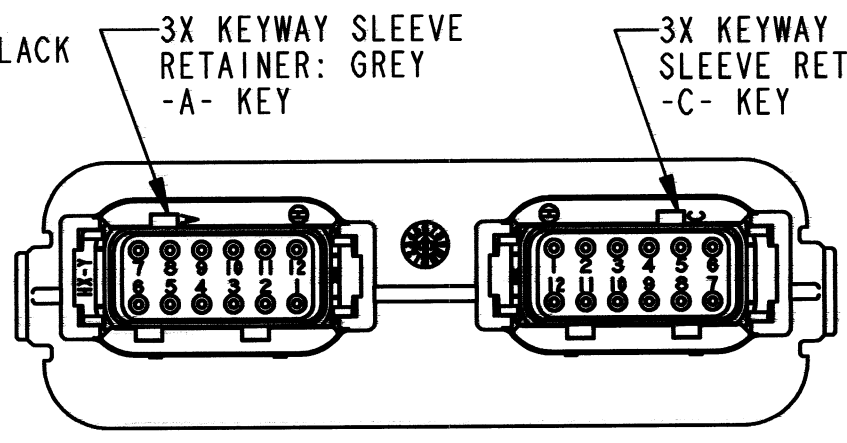
SIGNATURE & DATE		RECEPTACLE 2 x 12 #20 SIZE CONTACTS -GR01 DTM SERIES  ENVELOPE	EP 053/105	MATL. CODE
DR	D. MEYER 08/07/03		3850 INDUSTRIAL AVE. HEMET, CA 92545	
CHK	B. Byford 11/07/2011		DEUTSCH INDUSTRIAL	
PE	K. Kueker 9/26/11		B DTM13-12P*-12P*-GR01	
APPD	S. Bando 10/7/11		DWG SIZE	CODE 11139
SCALE	NONE	WT		

REV  
D DTM13-12P\*12P\*-GR01

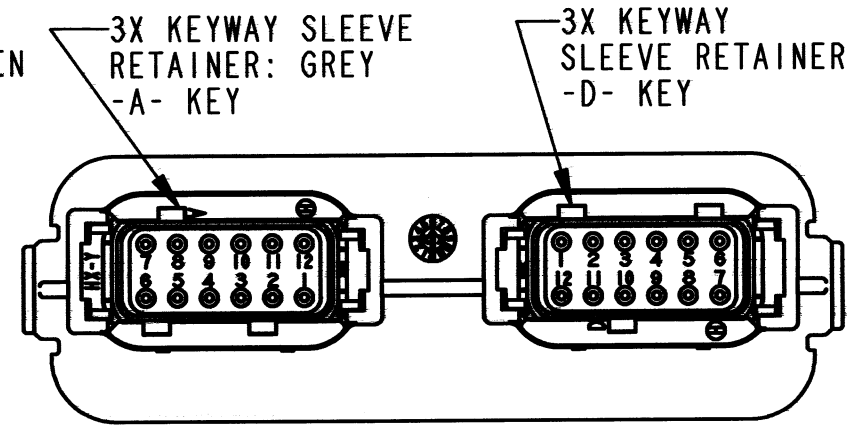
REVISIONS			
SYM	DESCRIPTION	DATE	APPROVED
D	SEE SHEET 1	11-7-11	RDR



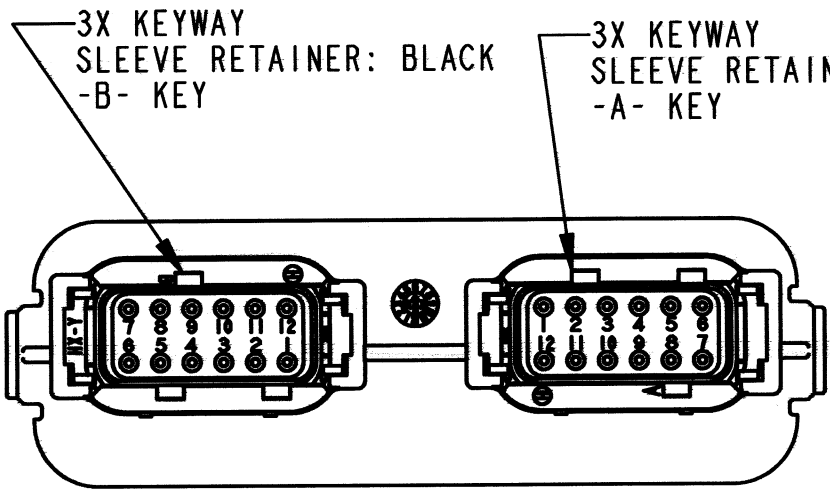
**DTM13-12PA-12PB-GR01**  
**KEY -AB-**



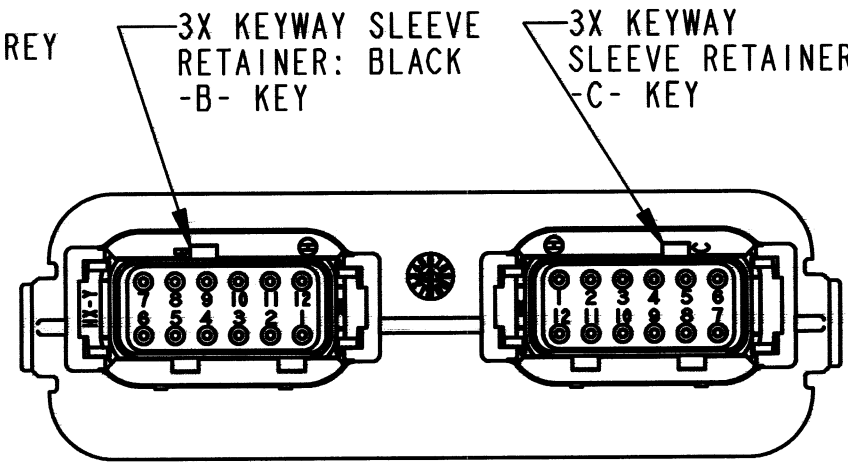
**DTM13-12PA-12PC-GR01**  
**KEY -AC-**



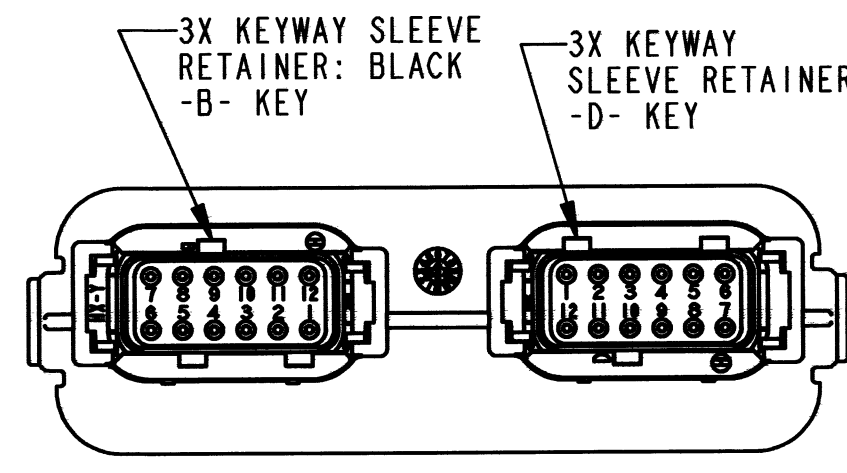
**DTM13-12PA-12PD-GR01**  
**KEY -AD-**



**DTM13-12PB-12PA-GR01**  
**KEY -BA-**



**DTM13-12PB-12PC-GR01**  
**KEY -BC-**



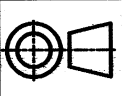
**DTM13-12PB-12PD-GR01**  
**KEY -BD-**

NOTES:

SIGNATURE & DATE	
DR	D. MEYER 08/07/03
CHK	[Signature] 11/07/2011
PE	[Signature] 9/26/11
APPD	[Signature]
SCALE	NONE WT

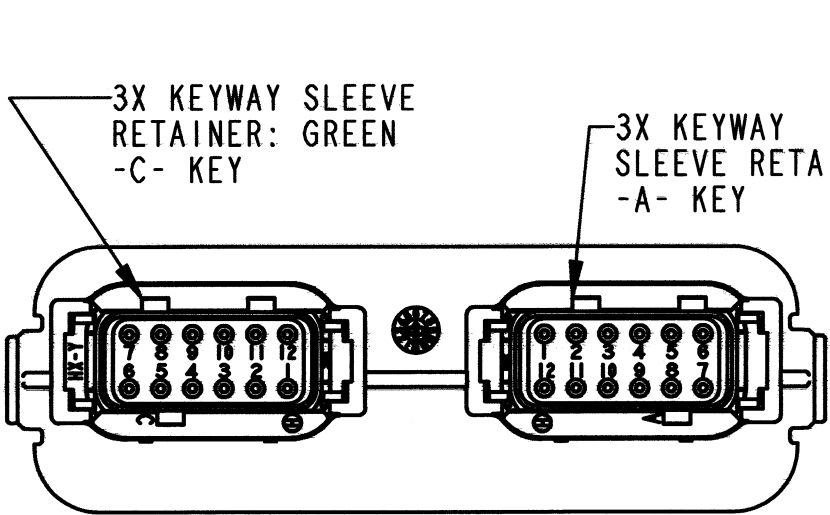
RECEPTACLE  
2 x 12 #20 SIZE CONTACTS  
-GR01  
DTM SERIES  
  
ENVELOPE

EP	MATL. CODE
3850 INDUSTRIAL AVE. HEMET, CA 92545 <b>DEUTSCH</b> INDUSTRIAL	
<b>B</b>	<b>DTM13-12P*12P*-GR01</b>
DWG SIZE	CODE 11139 SHEET 2 OF 3

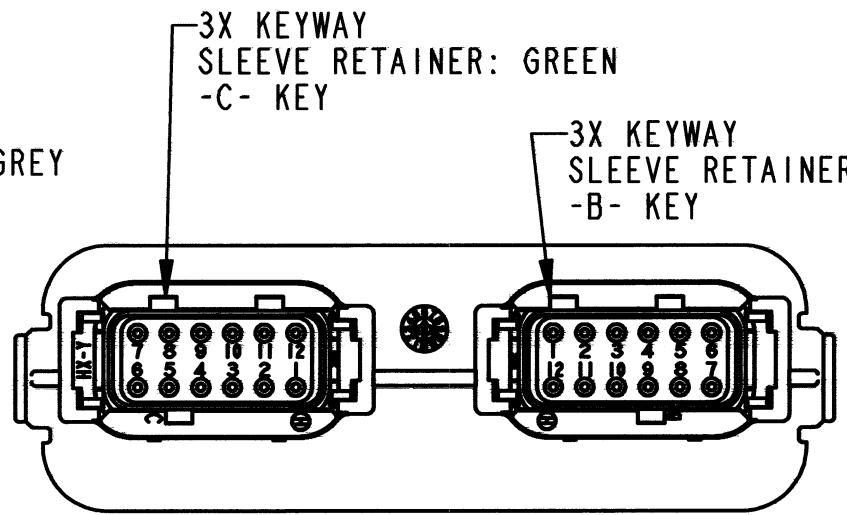


REV  
D DTM13-12P\*-12P\*-GR01

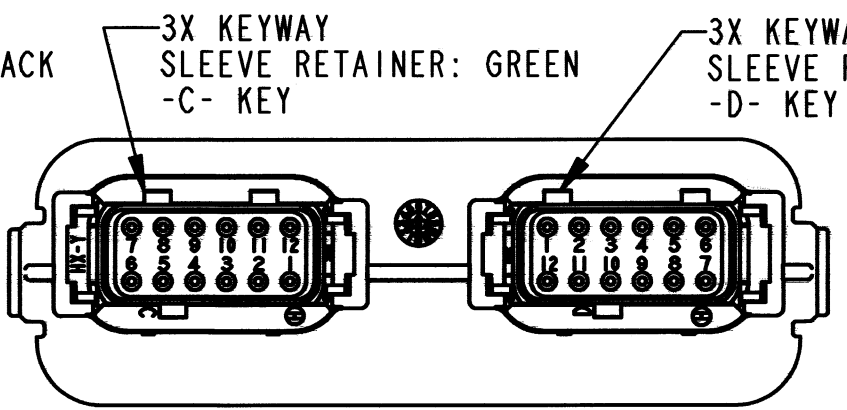
REVISIONS			
SYM	DESCRIPTION	DATE	APPROVED
D	SEE SHEET 1	11-7-11	RDR



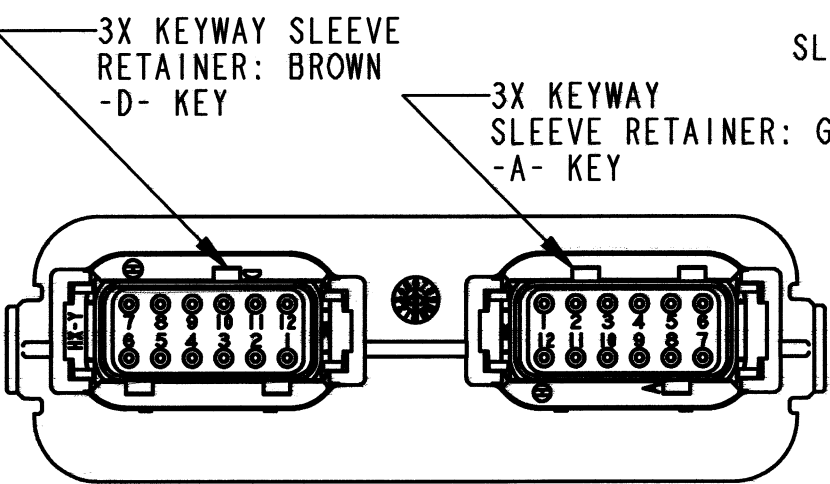
**DTM13-12PC-12PA-GR01**  
**KEY -CA-**



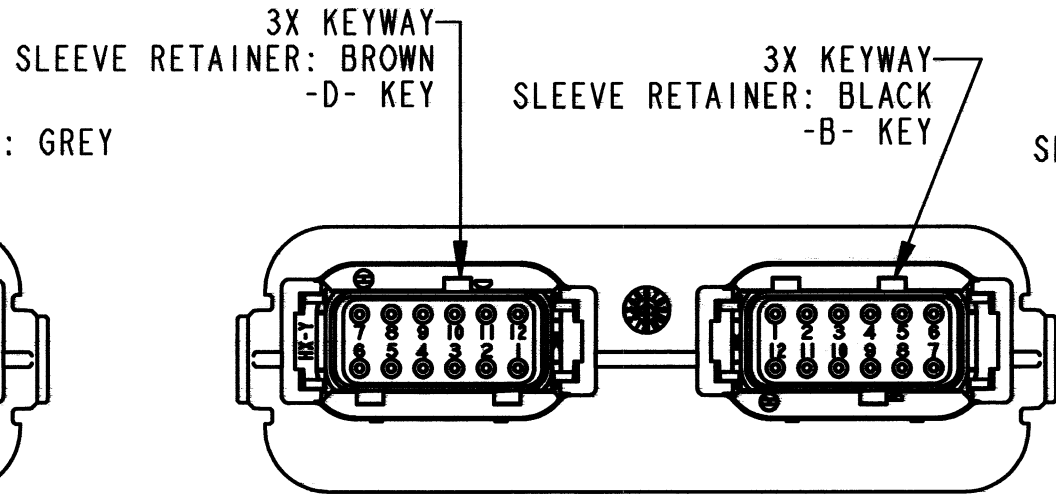
**DTM13-12PC-12PB-GR01**  
**KEY -CB-**



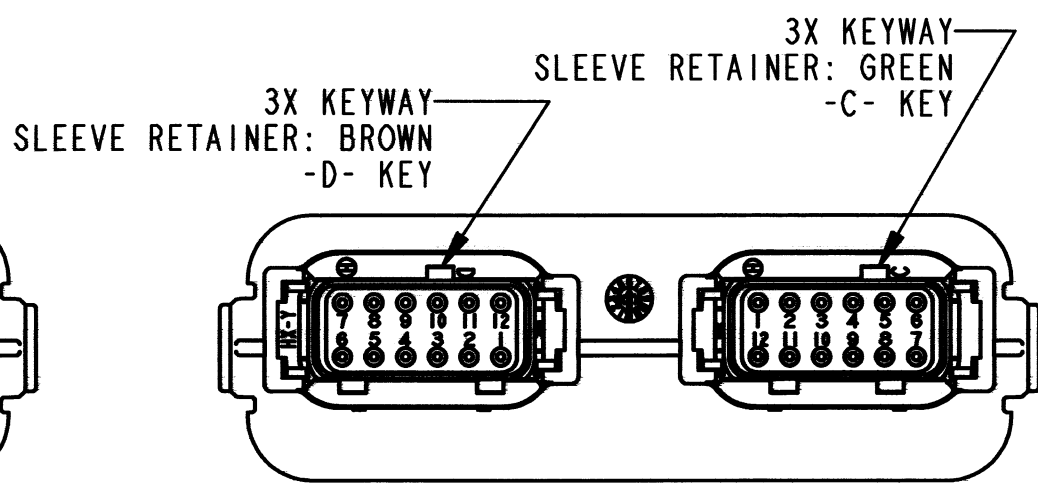
**DTM13-12PC-12PD-GR01**  
**KEY -CD-**



**DTM13-12PD-12PA-GR01**  
**KEY -DA-**



**DTM13-12PD-12PB-GR01**  
**KEY -DB-**



**DTM13-12PD-12PC-GR01**  
**KEY -DC-**

NOTES:

SIGNATURE & DATE	
DR	D. MEYER 08/07/03
CHK	<i>[Signature]</i> 11/07/2011
PE	<i>[Signature]</i> 11/07/11
APPD	<i>[Signature]</i> 11/7/11
SCALE	NONE WT

RECEPTACLE  
2 x 12 #20 SIZE CONTACTS  
-GR01  
DTM SERIES

ENVELOPE

EP	MATL. CODE
3850 INDUSTRIAL AVE. HEMET, CA 92545 <b>DEUTSCH</b> INDUSTRIAL	
<b>B</b>	<b>DTM13-12P*-12P*-GR01</b>
DWG SIZE	CODE 11139 SHEET 3 OF 3

