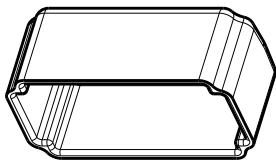
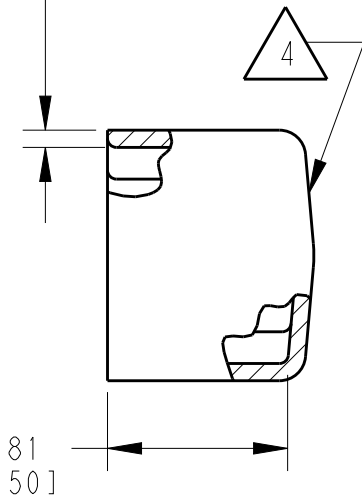
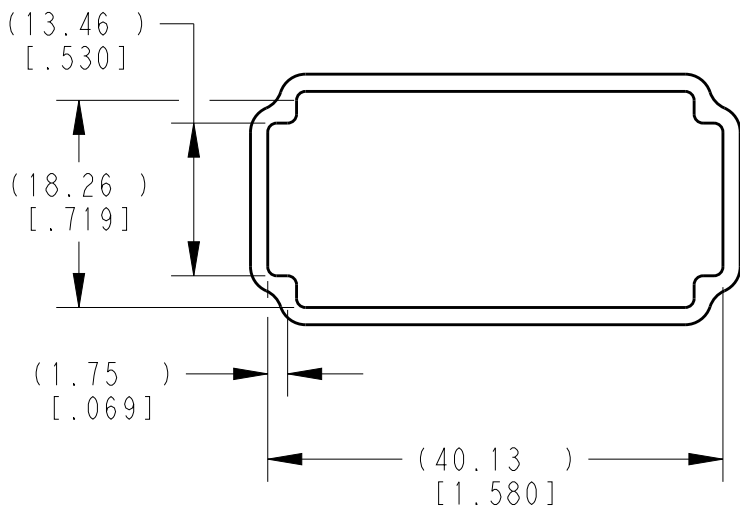


LOC	DIST	REVISIONS				
P	LTR	DESCRIPTION	DATE	DWN	APVD	
	A	NEW RELEASE PER ECO-14-010245	05AUG2014	DM	DM	
	A1	REVISED PER PCN E-19-014643	31OCT2019	JA	IG	



SCALE 3:4

1.52±0.25
 [.060±.010]
 MEASURED 6.35±0.64
 [.250±.025]
 FROM OPEN END



4 SMALL MATERIAL EXTENSION IS ACCEPTABLE ON THIS END ALL AROUND.

3. THIS ACCESSORY PART IS PROVIDED WITHOUT TYPICAL TRANSPORTATION INDUSTRY PROCESS CONTROLS. NO VALIDATION TESTING HAS BEEN PERFORMED. CUSTOMER IS RESPONSIBLE FOR DETERMINING PRODUCT PERFORMANCE AND SUITABILITY FOR APPLICATION.
2. TEMPERATURE RATING: -29°C TO +100°C [-20°F TO +212°F]
1. THIS PART IS USED ON DTM04-12PX (X=A,B,C,D KEYS) RECEPTACLES WITH ANY MODIFICATION.

NOTES:

TE INTERNAL PN	DEUTSCH PN
DTM12P-DC	DTM12P-DC

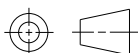
2019 RELEASED FOR PUBLICATION

TE CONNECTIVITY, ALL RIGHTS RESERVED. ALL RIGHTS RESERVED.

DIMENSIONS:	
mm	[INCHES]
TOLERANCES UNLESS OTHERWISE SPECIFIED:	
0 PLC	±
1 PLC	±
2 PLC	±
3 PLC	±0.64 [.025]
4 PLC	±
ANGLES	±5°

DWN	D.MEYER	05AUG2014
CHK	B.MILLIGAN	05AUG2014
APVD	D.MEYER	05AUG2014
PRODUCT SPEC		
APPLICATION SPEC		

MATERIAL	PVC	FINISH	GRAY
NAME		DUST CAP, RECEPTACLE, 12PIN DTM SERIES	
SIZE	CAGE CODE	DRAWING NO	RESTRICTED TO
A 4	4AFU8	©-DTM12P-DC	-



WEIGHT	4.27g	CUSTOMER DRAWING	SCALE	3:2	SHEET	1	OF	1	REV	A1
--------	-------	------------------	-------	-----	-------	---	----	---	-----	----