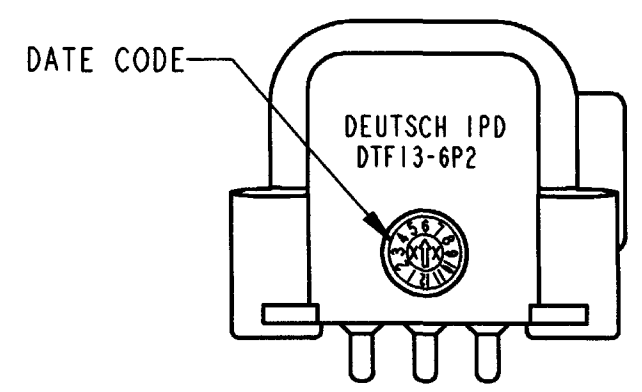
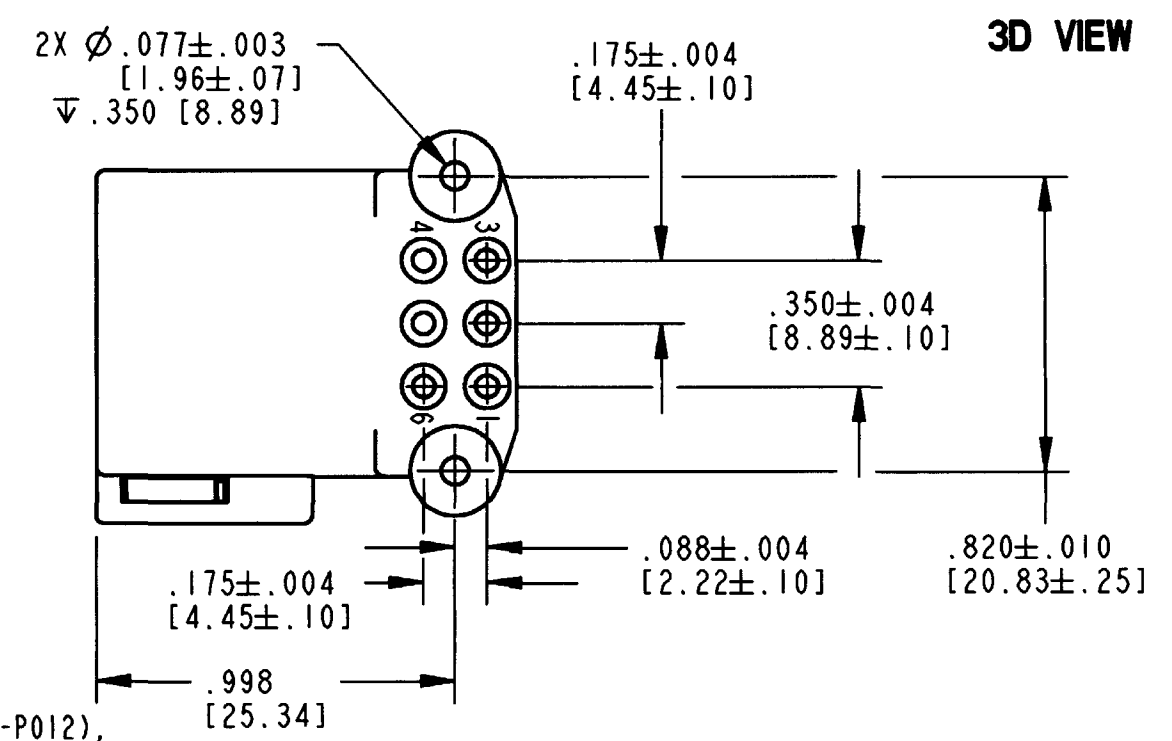
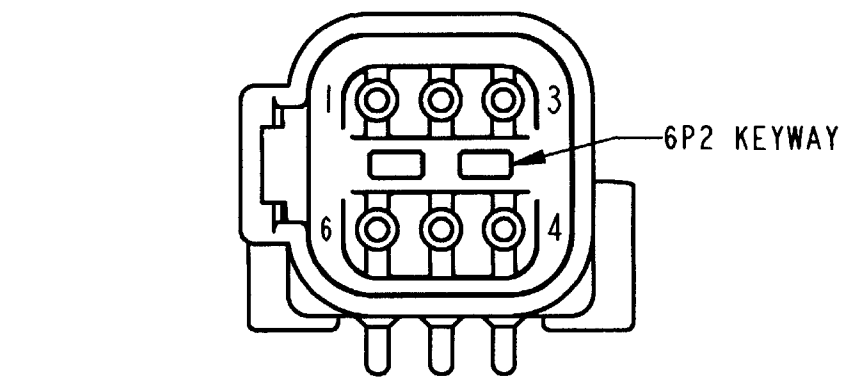
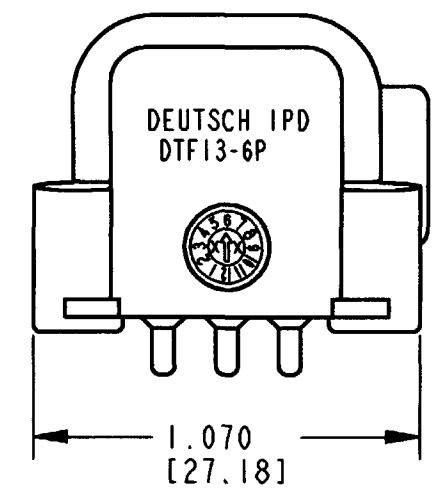
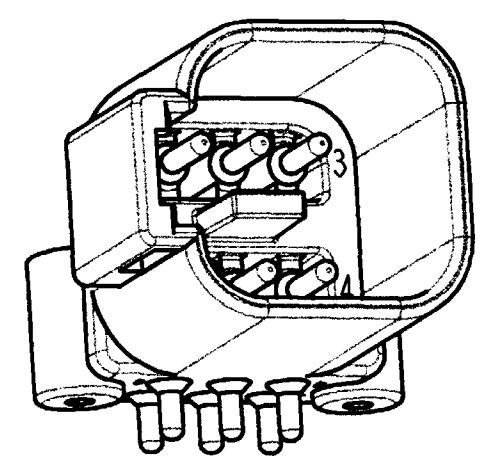
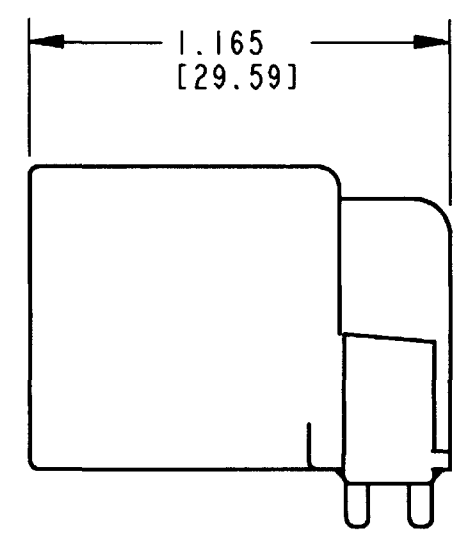
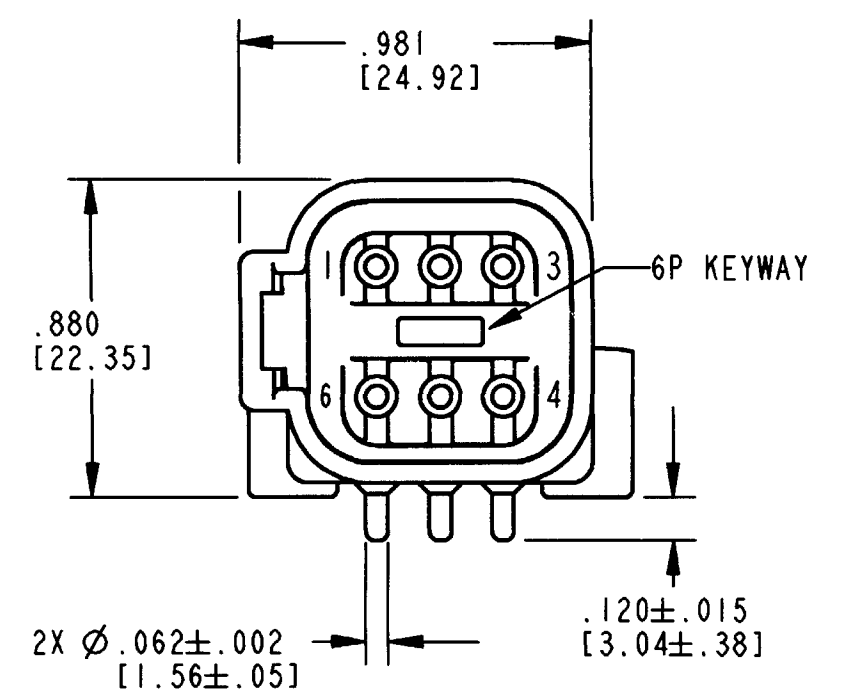


REV A	<b>DTF13-6P * -G003</b>	REVISIONS		
SYM	DESCRIPTION	DATE	APPROVED	
NC	NEW RELEASE PER E.O. P17209	6/26/01	RDR	
A	REVISED PER E.O. P17956	11-25-02	<i>RDR</i>	



7. CONTACT PLATING: GOLD ENTIRE LENGTH OF PINS.
  6. MATERIAL: PLASTIC
  5. IF ASTERISK = BLANK, 6P KEYWAY IS USED. IF ASTERISK = 2, 6P2 KEYWAY IS USED.
  4. CONNECTOR MATING: (DTF13-6P MATES WITH DT06-6S-\*\*\*\* AND W6S-P012), (DTF13-6P2 MATES WITH DT06-6S-\*\*\*\* AND W6S2-P012). [\*\*\*\* = ALL MODIFICATIONS] CONSULT FACTORY FOR MODIFICATIONS.
  3.  $\varnothing .077$  [1.96] REF HOLES ARE FOR SIZE 2 SCREWS.
  2. DIMENSION TOLERANCE  $\pm .025$  [.64].
  1. ALL DIMENSIONS ARE IN INCHES [mm].
- NOTES: UNLESS OTHERWISE SPECIFIED.

SIGNATURE & DATE	
DR	P. BURKE 11/14/02
CHK	<i>[Signature]</i> 11/19/02
PE	<i>[Signature]</i> 11/19/02
APPD	<i>[Signature]</i> 11-19-02
SCALE	NONE WT

**90 DEGREE  
FLANGELESS CONNECTOR  
G003 MOD  
DTF SERIES  
COLOR: BLACK**

ENVELOPE

CP	MATL. CODE
<b>The Deutsch Company</b> DEUTSCH I. P. D. 3850 INDUSTRIAL AVE. HEMET, CALIF. 92545	
<b>B</b>	<b>DTF13-6P * -G003</b>
DWG SIZE	CODE 11139 SHEET   OF