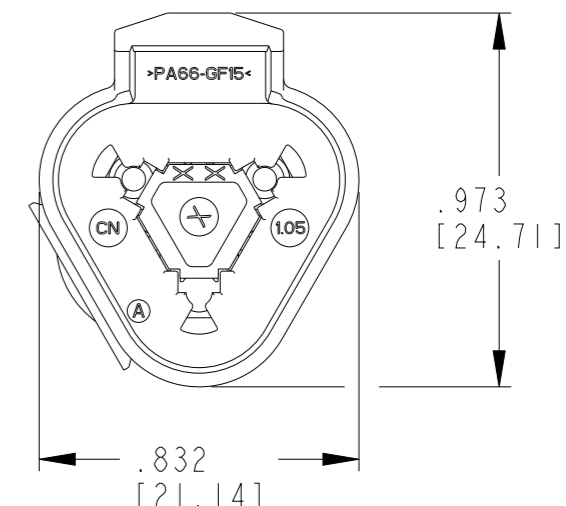
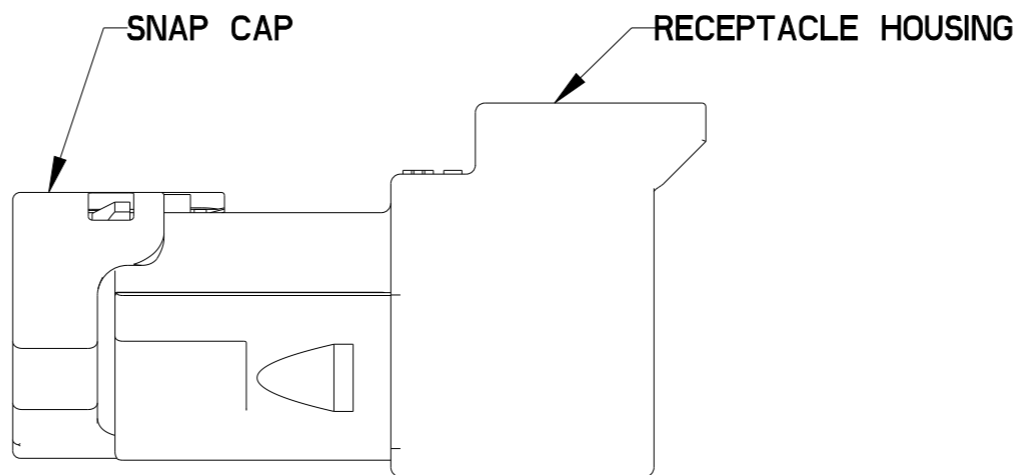
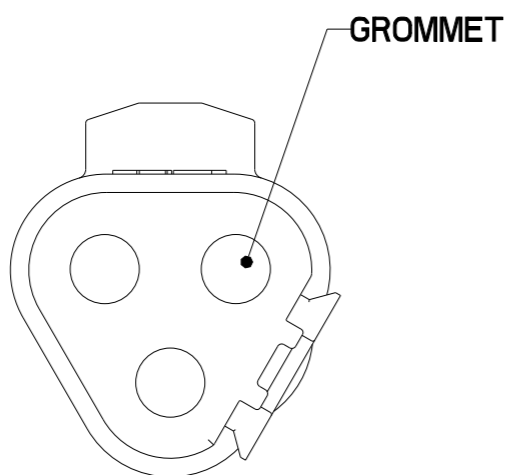
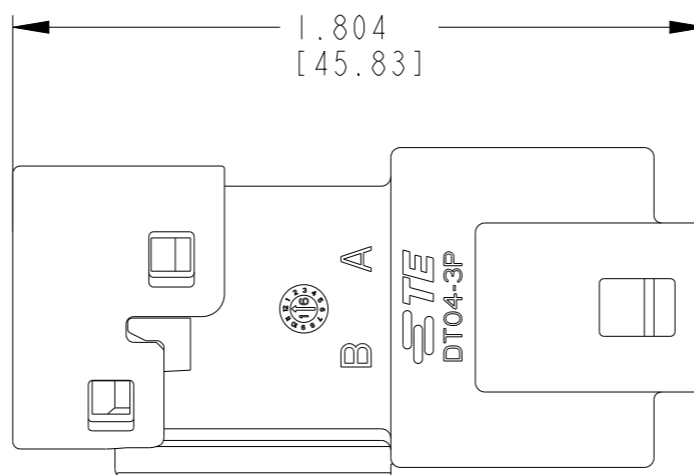
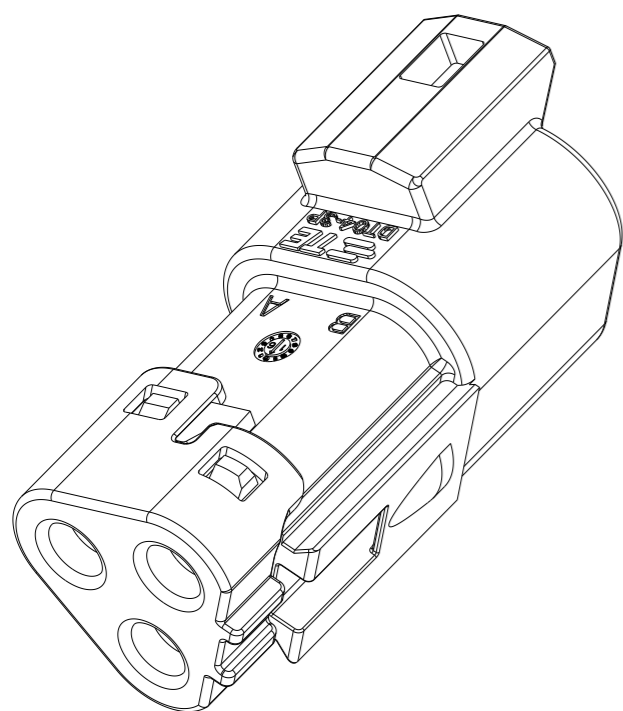


REVISIONS

P	LTR	DESCRIPTION	DATE	DWN	APVD
NC		NEW RELEASE PER E.O PI5871	22DEC1998	-	RDR
A		REVISED PER E.O. PI6126	01JUN1999	-	RDR
AI		REVISED PER PCN-23-183138	28JUL2023	MK	IG
F		REVISED PER PCN-24-210155	19APR2024	PS	CB



5 MATERIAL:
 HOUSING AND SHORT CAP: PA66 GF15, BLACK
 GROMMET: VMQ, RED-ORANGE
 CONTACTS: COPPER ALLOY, GOLD PLATED
 WEDGELOCK: PBT GF30, BLUE

4. THIS RECEPTACLE MATES WITH THE DT06-3S-XXXX PLUG (XXXX=J1939 MODIFICATIONS)
 CONSULT FACTORY FOR MODIFICATIONS. INCLUDED LOCKING WEDGE IS KEYPED
 TO PREVENT MISMATING AND MAY NOT MATE WITH ALL 3-WAY DT SERIES PLUGS.



3. FOR CONTACT AND WIRE SPECIFICATIONS SEE CUSTOMER DRAWING
 0425-015-0000 AND 0425-017-0000.

2. RESISTOR CHARACTERISTICS: 120 OHMS ±10 PERCENT, 0.4 WATTS MIN.

1. RESISTOR INSERTED INTO CAVITIES 'A' AND 'B'.

NOTES:

TE INTERNAL PN	DEUTSCH PN
DT04-3P-EPI0	DT04-3P-EPI0

THIS DRAWING IS A CONTROLLED DOCUMENT.		DWN S. THEIS 21DEC1998	 TE Connectivity 3 WAY RECEPTACLE WITH TERMINATING RESISTOR, EPI0 MOD DT SERIES			
DIMENSIONS: in [mm]		CHK S. BEARD 22DEC1998				
TOLERANCES UNLESS OTHERWISE SPECIFIED:		APVD R. READ 22DEC1998				
0 PLC ± 1 PLC ± 2 PLC ± 3 PLC ±.025 [0.64] 4 PLC ± ANGLES ±1° FINISH		PRODUCT SPEC 108-151009				
MATERIAL		APPLICATION SPEC 114-151009	SIZE A3	CAGE CODE 4AFU8	DRAWING NO DT04-3P-EPI0	RESTRICTED TO
		WEIGHT 12.78 g	SCALE 2:1	SHEET 1 OF 1	REV F	
CUSTOMER DRAWING						