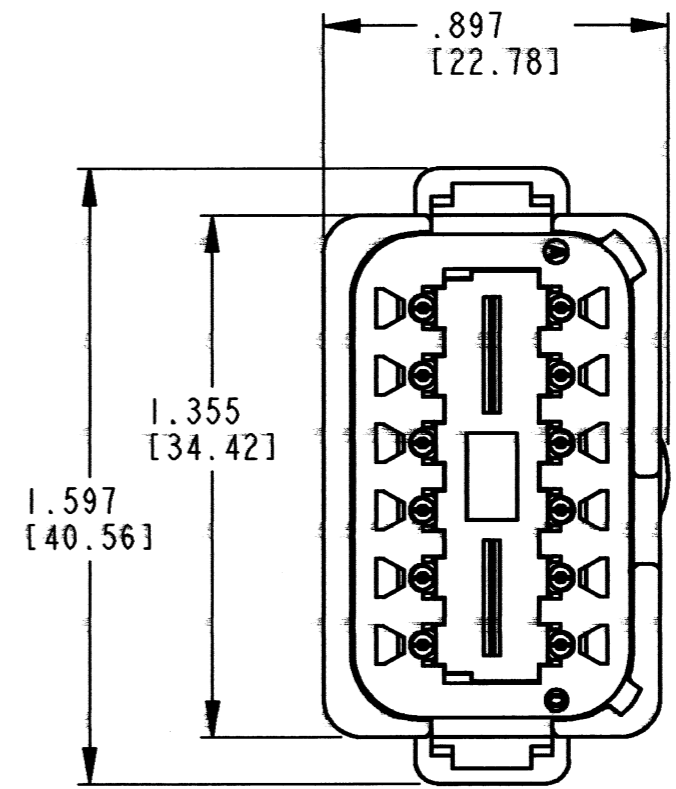
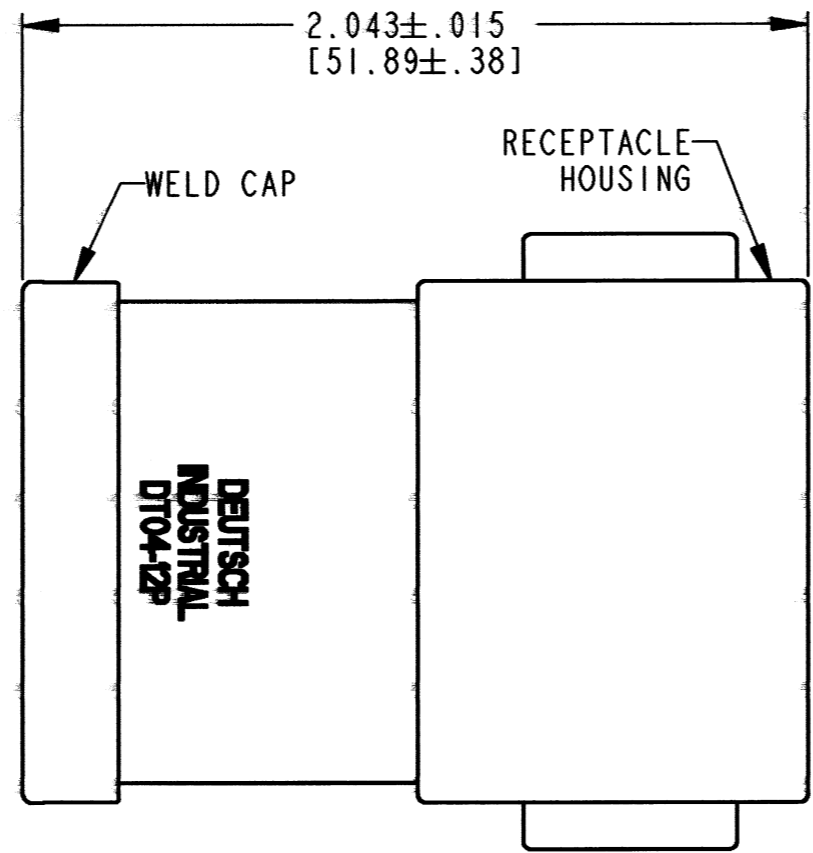
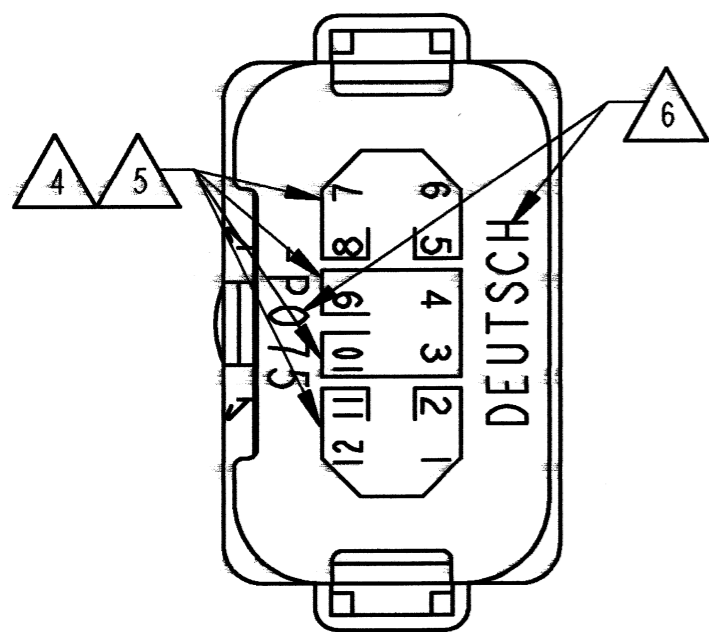
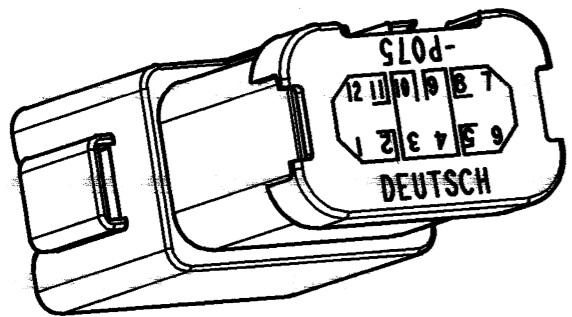


REV NC	DT04-12P*-P075	REVISIONS		
SYM	DESCRIPTION	DATE	APPROVED	
NC	NEW RELEASE PER E.O. P20508	5-20-10	RDP	



4. BORDERS SIGNIFY THAT PINS 1,2,11,12 ARE BUSSED TOGETHER WITH A 4 PIN BUSBAR. PINS 3,4,9,10 ARE BUSSED TOGETHER WITH A 4 PIN BUSBAR. PINS 5,6,7,8 ARE BUSSED TOGETHER WITH A 4 PIN BUSBAR.
3. THIS DT04-12P\*-P075 MATES WITH DT06-12S\*-\*\*\*\* (\*\*\*\* = ALL MODIFICATIONS).
2. DIMENSIONS ARE ±.025[0.64] UNLESS OTHERWISE SPECIFIED.
1. DIMENSIONS ARE IN INCHES [MILLIMETERS].

NOTES:

6. ORIENTATION OF "DEUTSCH" AND "-P075" TO BE OPTIONAL.
5. MAXIMUM CURRENT RATING FOR THE 4 PIN BUSBAR IS 26 AMPS.

	SIGNATURE & DATE
DR	A. MALAGON 04MAY10
CHK	<i>[Signature]</i> 5/19/2010
PE	K. Muzzey 5/15/10
APPD	<i>[Signature]</i> 5-7-10
SCALE	NONE
WT	

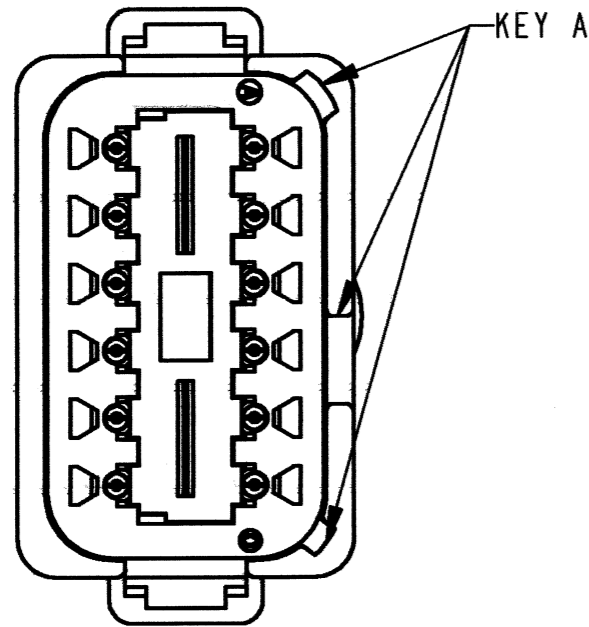
DT 12 WAY RECEPTACLE  
(3) 4 PIN BUSBARS  
NICKEL PLATED

ENVELOPE

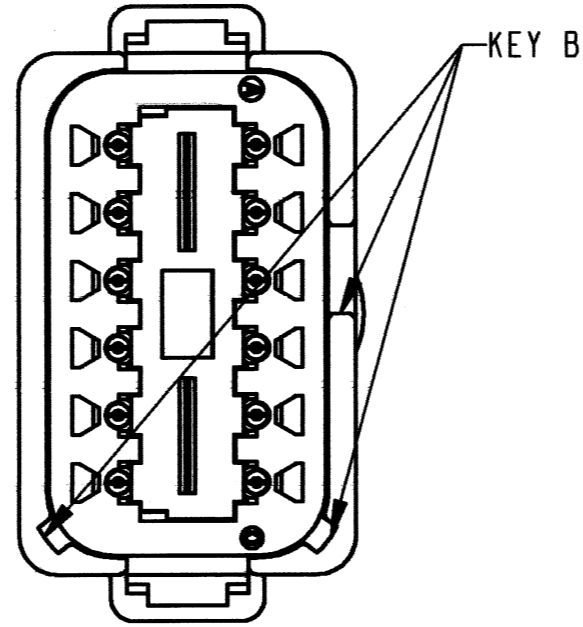
EP	MATL. CODE
3850 INDUSTRIAL AVE. HEMET, CA 92545	
DEUTSCH INDUSTRIAL	
<b>B</b>	DT04-12P*-P075
DWG SIZE	CODE 11139 SHEET 1 OF 2

REV NC DT04-12P\*-P075

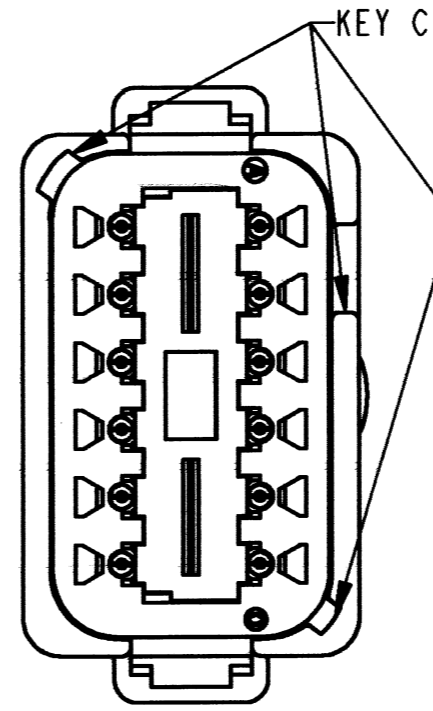
REVISIONS			
SYM	DESCRIPTION	DATE	APPROVED
NC	SEE SHEET 1	5-20-10	ADR



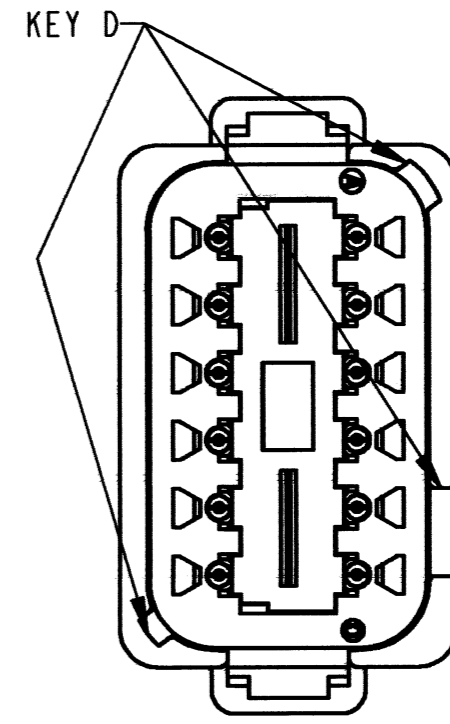
DT04-12PA-P075  
COLOR: GREY



DT04-12PB-P075  
COLOR: BLACK



DT04-12PC-P075  
COLOR: GREEN



DT04-12PD-P075  
COLOR: BROWN

NOTES:

SIGNATURE & DATE	
DR	A. MALAGON 04MAY10
CHK	<i>[Signature]</i> 5/19/2010
PE	<i>[Signature]</i> 5/15/10
APPD	<i>[Signature]</i> 5-7-10
SCALE	NONE
WT	

DT 12 WAY RECEPTACLE  
(3) 4 PIN BUSBARS  
NICKEL PLATED

ENVELOPE

EP	MATL. CODE
3850 INDUSTRIAL AVE. HEMET, CA 92545	
<b>DT04-12P*-P075</b>	
DWG SIZE	CODE 11139 SHEET 2 OF 2