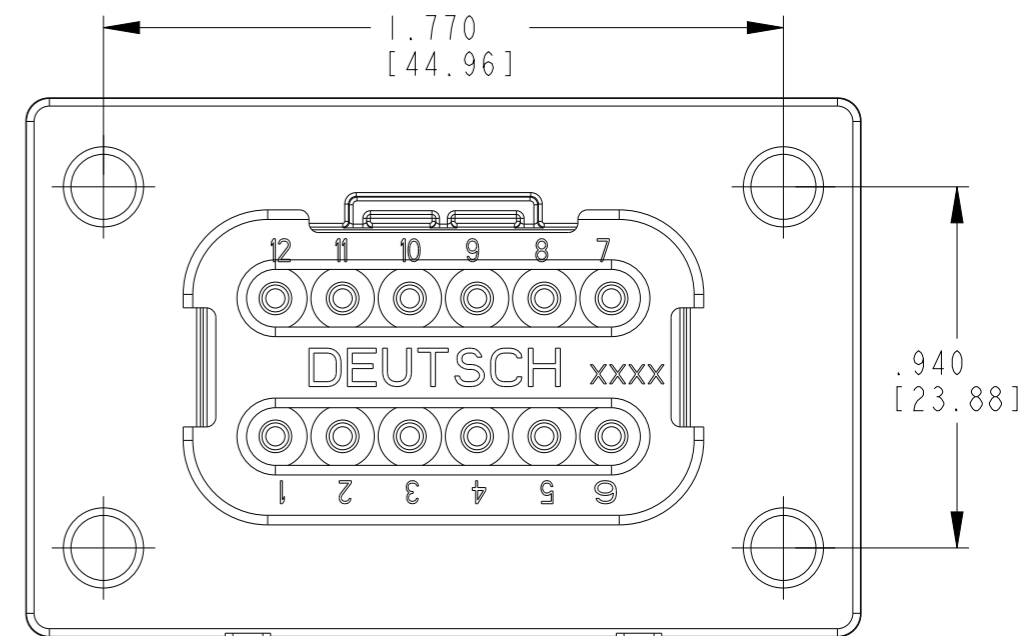
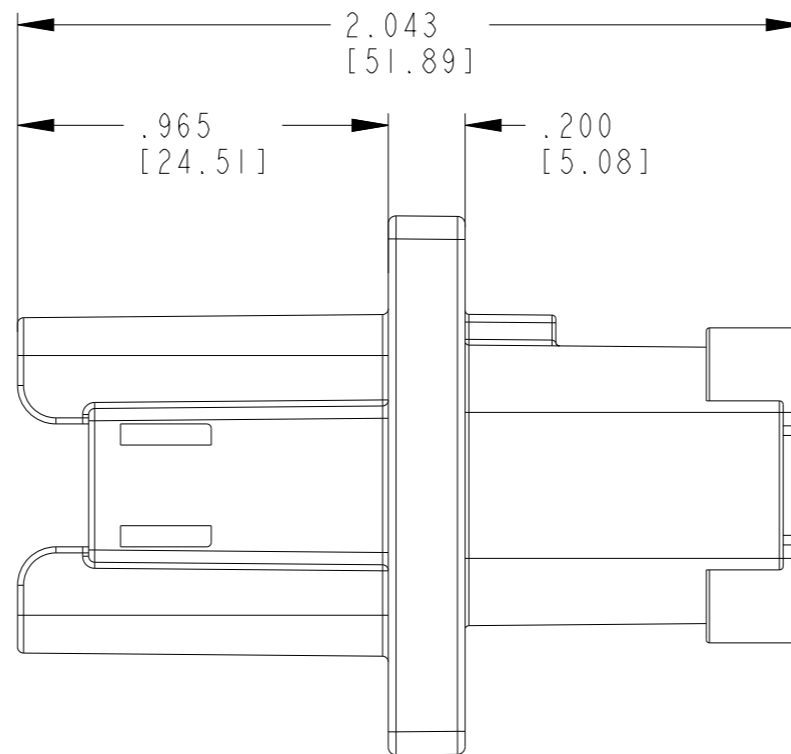
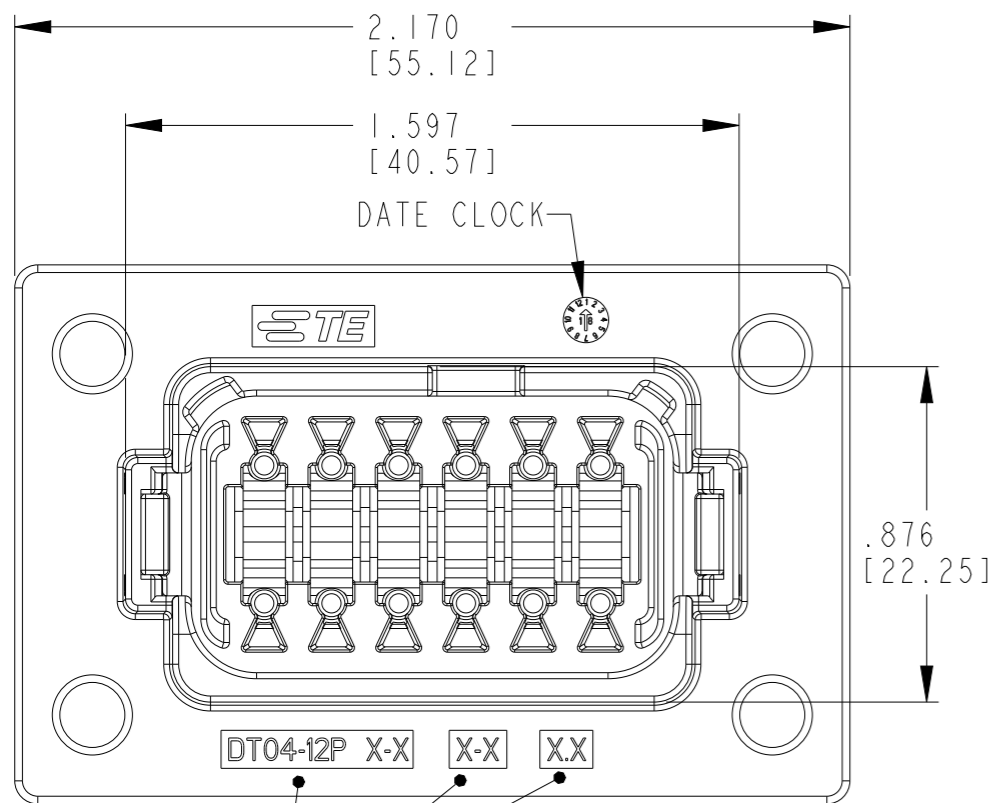
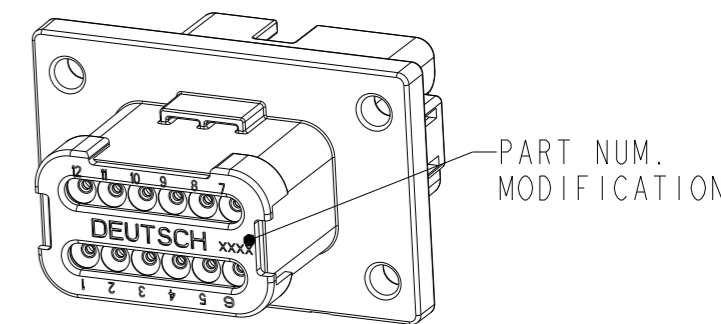


P	LTR	DESCRIPTION	DATE	DWN	APVD
C		REVISED PER E-20-009825	29 JUN 2020	PMV	IG
C1		REVISED PER PCN-21-124131	14 DEC 2021	MR	IG
C2		REVISED PER PCN-22-157426	03 NOV 2022	MR	IG
D		REVISED PER PCN-23-192205	06 FEB 2024	RK	CB



TRACEABILITY CODING



SCALE 1:1  
**3-DIMENSIONAL VIEW**

7. SECONDARY WEDGE LOCK SOLD SEPARATELY: W12P-XXXX.  
(XXXX = ALL MODIFICATIONS)

6. RECOMMENDED SCREW: 6-32 [M4].  
RECOMMENDED TORQUE: 20-25 IN-LB [2.26-2.82 Nm].

5. MATERIAL - HOUSING: PA66 GF15 (SEE TABLE FOR COLOR)  
GROMMET: VMQ (ORANGE RED)  
WELD CAP: PA66 GF15 (BLACK)

4. THIS RECEPTACLE MATES WITH DT06-12SX-XXXX PLUG.  
(X = KEY ARR. A,B,C,D; XXXX = ALL MODIFICATIONS)  
CONSULT FACTORY FOR MODIFICATIONS.

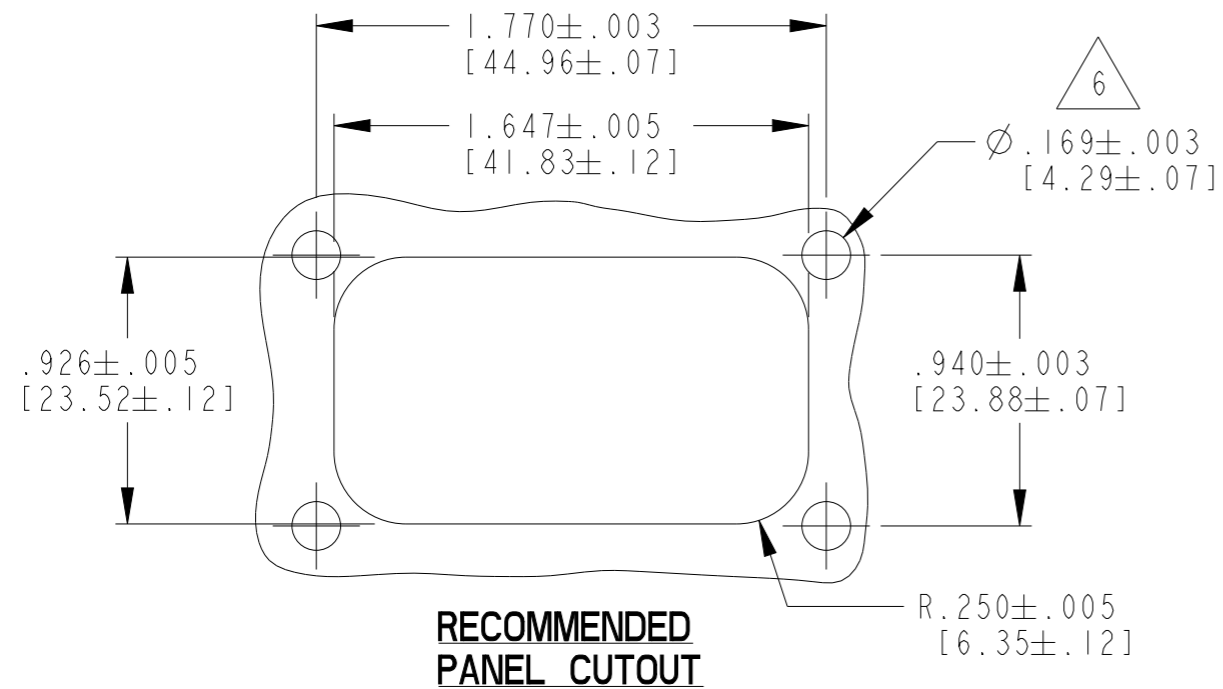
3. FOR CONTACT AND WIRE PERFORMANCE AND APPLICATION CHARACTERISTICS, SEE ENVELOPE DRAWING 0425-015-0000.

NOTES:  
2. DELETED  
1. DELETED

CONTACT SIZE	MIN. INSUL O.D.	MAX. INSUL O.D.	WIRE RANGE [mm <sup>2</sup> ] REF ONLY
16	.088 [2.24]	.145 [3.68]	14-20 AWG [2.0-0.5]

THIS DRAWING IS A CONTROLLED DOCUMENT.		DWN T. YOHANNES 14DEC2001	<b>STE</b> TE Connectivity			
DIMENSIONS: INCHES [mm]		CHK R. MCCORD 14MAY2010				
TOLERANCES UNLESS OTHERWISE SPECIFIED:		APVD S. BEARD 04MAY2010	NAME 12 WAY RECEPTACLE WITH ENHANCED KEY AND FLANGE KEY ARR. A,B,C,D-BL05 MOD. DT SERIES			
0 PLC ±-		PRODUCT SPEC 108-151009				
1 PLC ±-		APPLICATION SPEC 114-151009	SIZE A3	CAGE CODE 00779	DRAWING NO C-DT04-12PX-BL05	RESTRICTED TO -
2 PLC ±-		WEIGHT -	SCALE 2:1		SHEET 1 OF 2	REV D
3 PLC ±.025 [0.64]		CUSTOMER DRAWING				
4 PLC ±-						
ANGLES ±0° 30' 0"						
FINISH -						
MATERIAL 5						

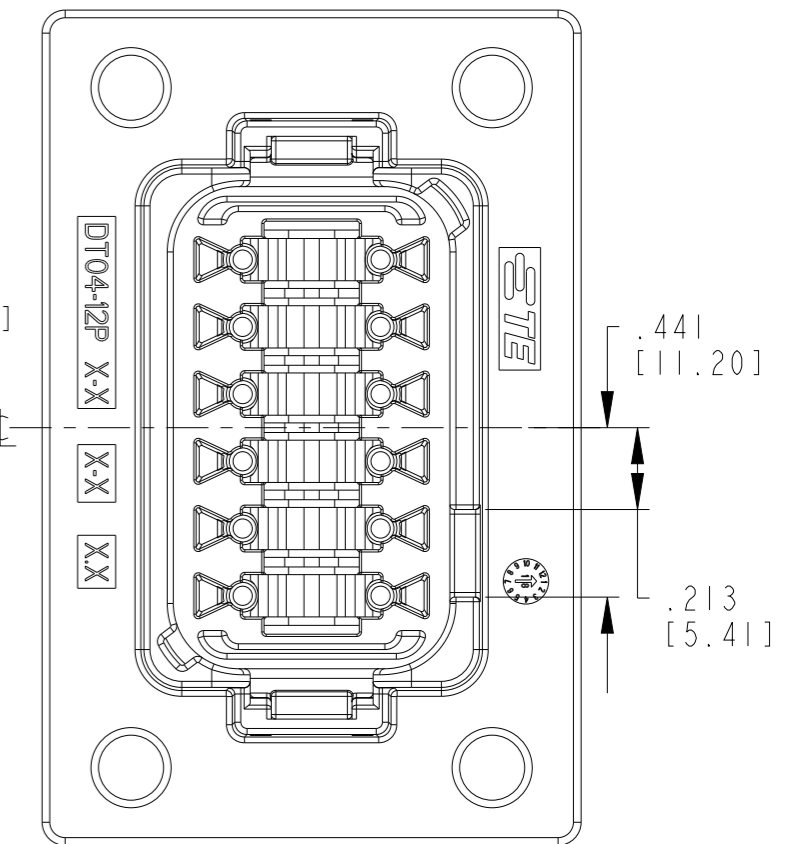
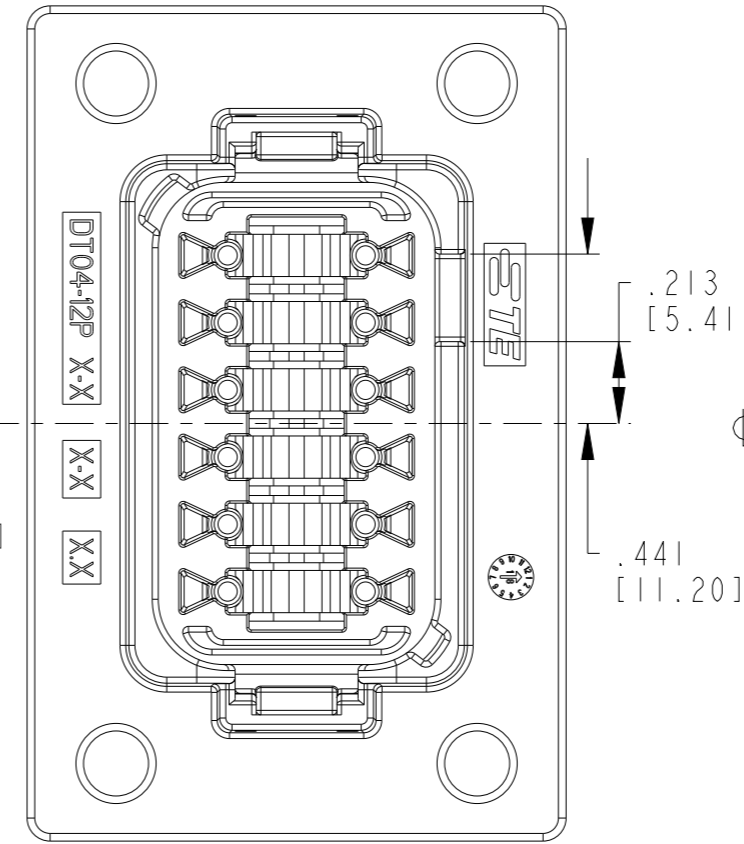
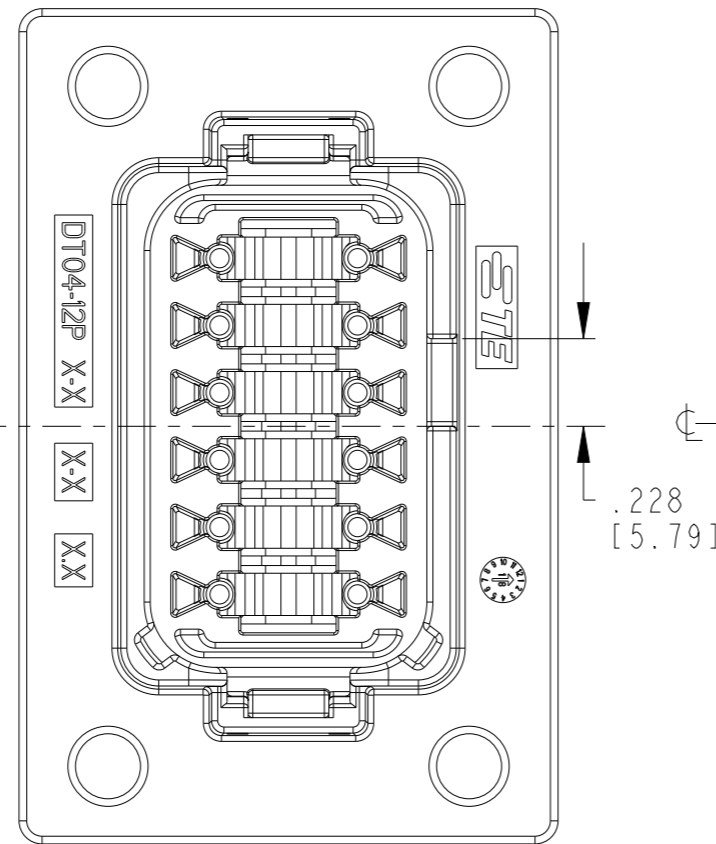
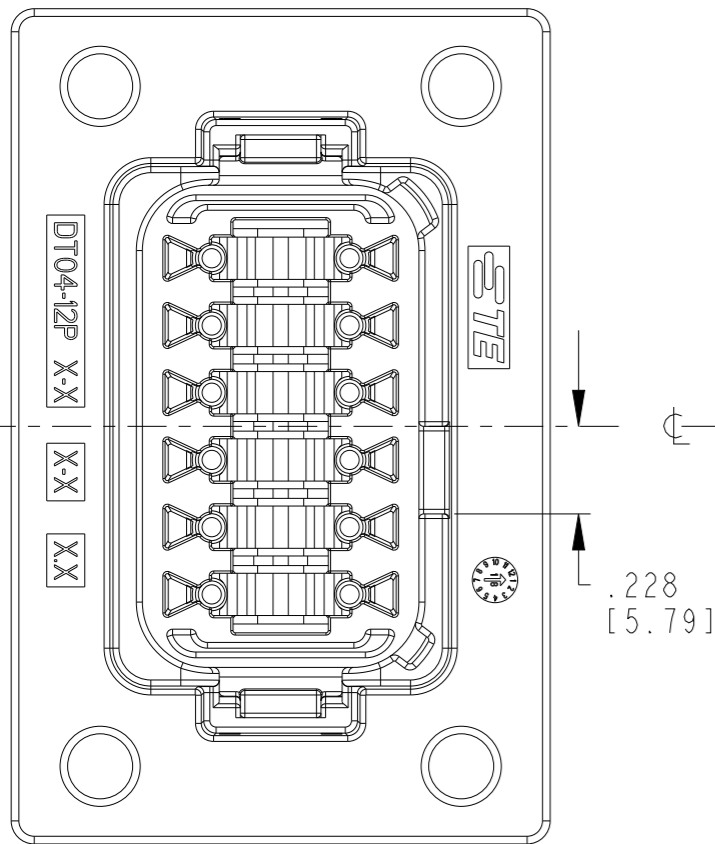
P	LTR	DESCRIPTION	DATE	DWN	APVD
-	-	SEE SHEET 1	-	-	-



KEY ARR.	HOUSING COLOR	PART NUMBER
-A-	GRAY	DT04-12PA-BL05
-B-	BLACK	DT04-12PB-BL05
-C-	GREEN	DT04-12PC-BL05
-D-	BROWN	DT04-12PD-BL05

**KEY ARRANGEMENT -C-  
DT04-12PC-BL05**

**KEY ARRANGEMENT -D-  
DT04-12PD-BL05**

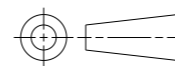


**KEY ARRANGEMENT -A-  
DT04-12PA-BL05**

**KEY ARRANGEMENT -B-  
DT04-12PB-BL05**

THIS DRAWING IS A CONTROLLED DOCUMENT.

DIMENSIONS:  
INCHES [mm]



TOLERANCES UNLESS OTHERWISE SPECIFIED:

0 PLC	±-
1 PLC	±-
2 PLC	±-
3 PLC	±.025 [0.64]
4 PLC	±-
ANGLES	±0° 30' 0"
FINISH	-

MATERIAL

DWN T. YOHANNES 14DEC2001

CHK R. MCCORD 14MAY2010

APVD S. BEARD 04MAY2010

PRODUCT SPEC 108-151009

APPLICATION SPEC 114-151009

WEIGHT -

CUSTOMER DRAWING



NAME  
12 WAY RECEPTACLE WITH ENHANCED  
KEY AND FLANGE KEY ARR.  
A,B,C,D-BL05 MOD. DT SERIES

SIZE	CAGE CODE	DRAWING NO	RESTRICTED TO
A3	00779	DT04-12PX-BL05	-

SCALE 2:1 SHEET 2 OF 2 REV D