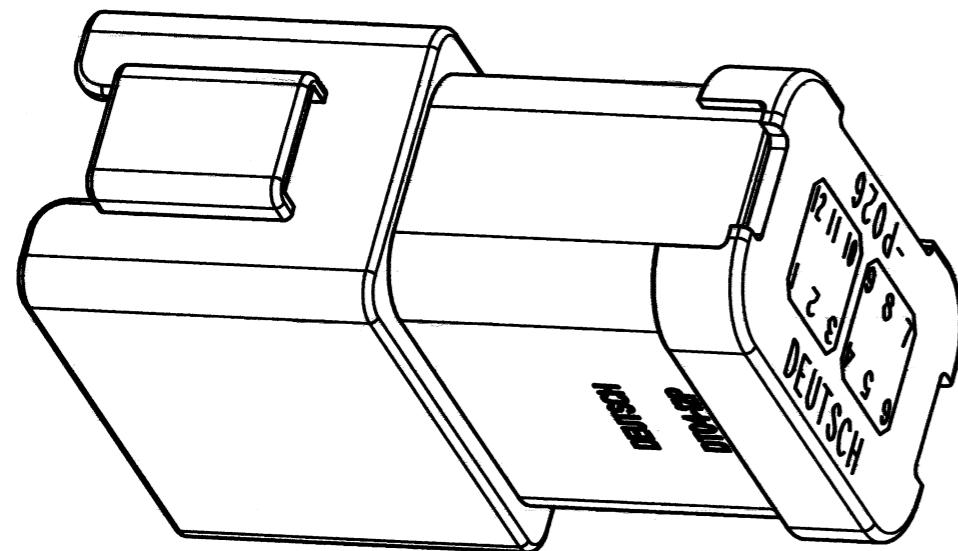
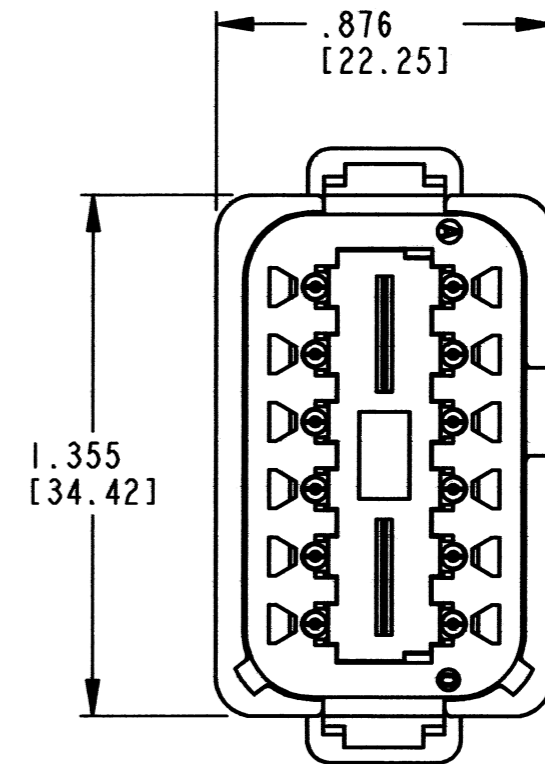
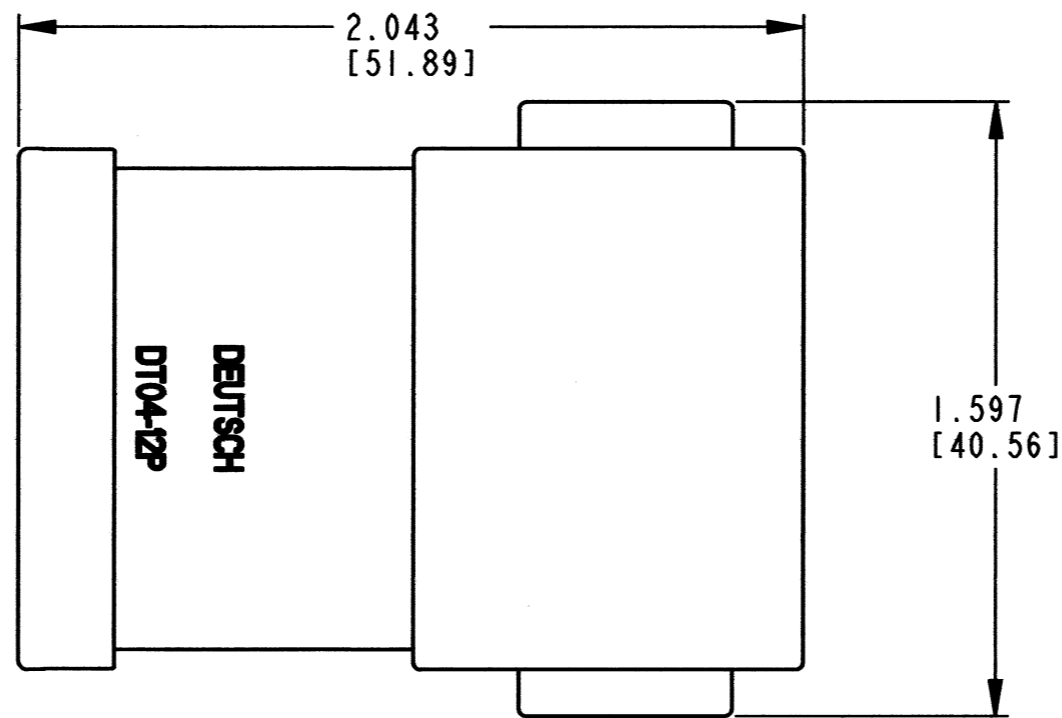
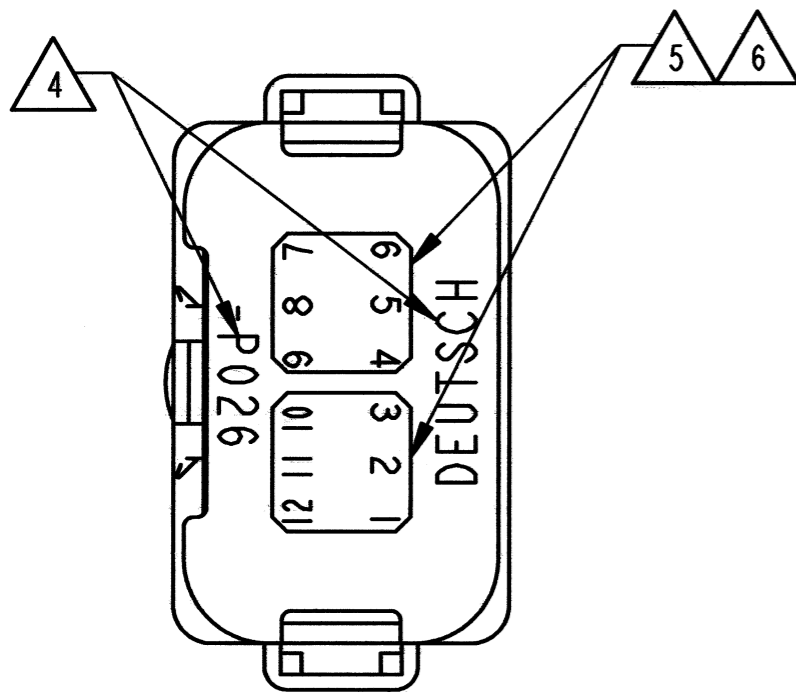


3D VIEW



REV
B DT04-12PB-P026

REVISIONS			
SYM	DESCRIPTION	DATE	APPROVED
NC	NEW RELEASE PER E.O. P16142	8/17/99	RDR
A	REVISION PER E.O. P16286	9/7/99	JA
B	REVISION PER E.O. P21376	7-6-12	RDR



- 5. BORDER SIGNIFIES THAT PINS 1,2,3,10,11,12 AND PINS 4,5,6,7,8,9 ARE BUSSED TOGETHER WITH 6 PIN BUSBARS.
 - 4. ORIENTATION OF "DEUTSCH" AND "-P026" TO BE OPTIONAL.
 - 3. THIS DT04-12PB-P026 MATES WITH DT06-12SB-**** (**** = ALL MODIFICATIONS). CONSULT FACTORY FOR MODIFICATIONS.
 - 2. DIMENSIONS ARE ±.025[0.63] UNLESS OTHERWISE SPECIFIED.
 - 1. DIMENSIONS ARE IN INCHES [MILLIMETERS].
- NOTES:

6. THE MAXIMUM CURRENT RATING FOR THE 6 PIN BUSBAR IS 39 AMPS.

SIGNATURE & DATE	
DR	M. GONZALEZ 8/5/99
CHK	B. Byford 7/06/2012
PE	K. Messinger 6/25/12
APPD	S. Beard 7/5/12
SCALE	NONE WT

DT 12 WAY RECEPTACLE
KEY ARRANGEMENT -B-
(2) 6 PIN BUSBARS-NICKEL PLATED
COLOR: BLACK

ENVELOPE

EP	MATL. CODE
3850 INDUSTRIAL AVE. HEMET, CA 92545	
DEUTSCH INDUSTRIAL	
B DT04-12PB-P026	
DWG SIZE	CODE 11139 SHEET OF