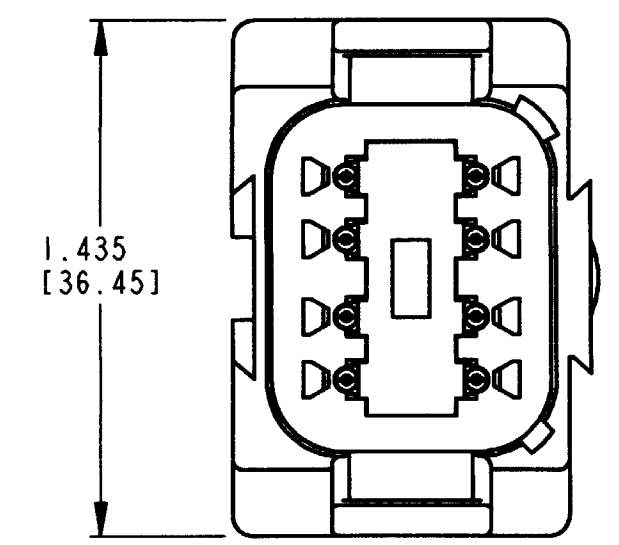
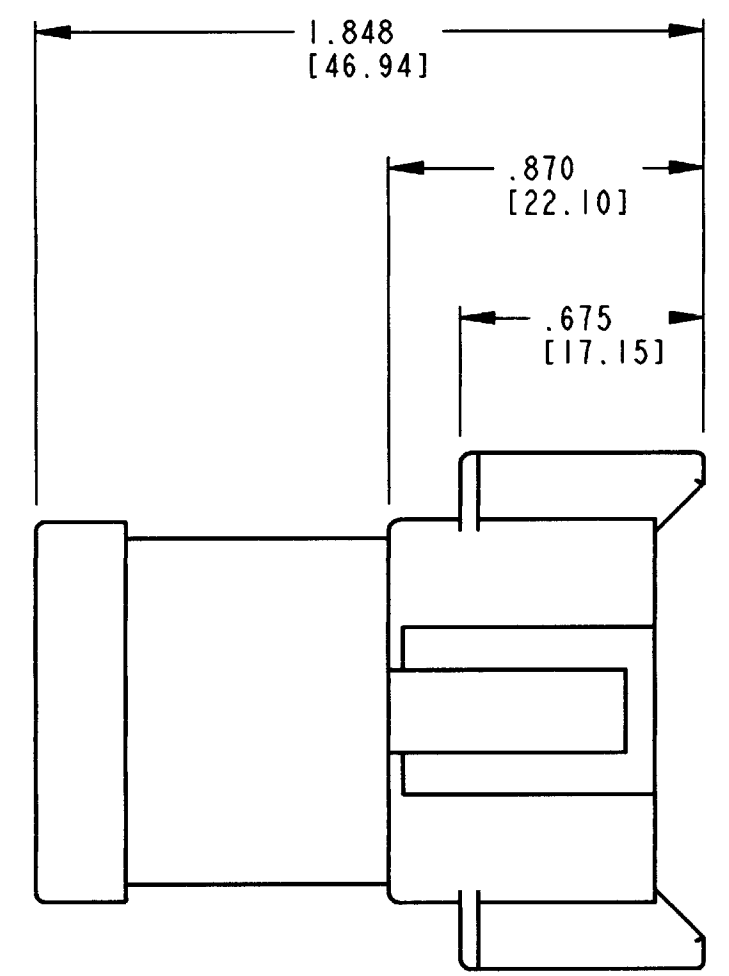
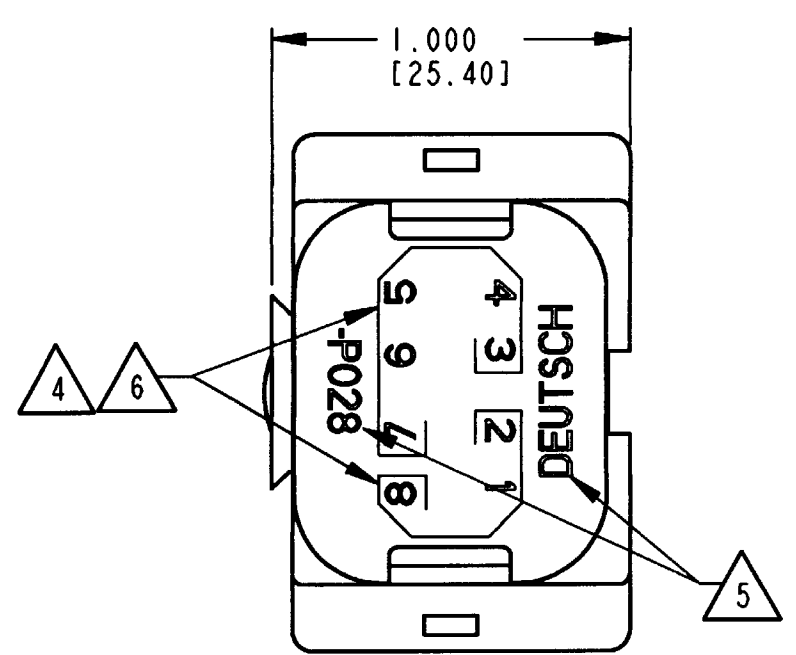


3D VIEW



REV	DT04-08PA-P028	REVISIONS		
NC	SYM	DESCRIPTION	DATE	APPROVED
	NC	NEW RELEASE PER E.O. PI6830	9-1-00	RDR

5. ORIENTATION OF "DEUTSCH" AND "-P028" TO BE OPTIONAL.
4. BORDER SIGNIFIES THAT PINS 3,4,5,6,7 ARE BUSSED TOGETHER WITH A 5 PIN BUSBAR AND PINS 1,2,8 ARE BUSSED TOGETHER WITH A 3 PIN BUSBAR.
3. THIS DT04-08PA-P028 MATES WITH DT06-08SA-**** (**** = ALL MODIFICATIONS). CONSULT FACTORY FOR MODIFICATIONS.
2. DIMENSIONS ARE ±.025[0.63] UNLESS OTHERWISE SPECIFIED.
1. DIMENSIONS ARE IN INCHES [MILLIMETERS].
- NOTES:

6. THE 3 PIN BUSBAR HAS A MAXIMUM CURRENT RATING OF 13 AMPS. THE 5 PIN BUSBAR HAS A MAXIMUM CURRENT RATING OF 26 AMPS.

SIGNATURE & DATE		DT 8 WAY RECEPTACLE KEY ARRANGEMENT -A- 5 & 3 PIN BUSBAR-NICKEL PLATED COLOR: GREY	CP	MATL. CODE
DR	P. BURKE 8/25/00		The Deutch Company	
CHK	L. Palko 9/1/00		DEUTSCH I.P.D. 3850 INDUSTRIAL AVE. HEMET, CALIF. 92545	
PE	W. Burke 8/31/00		B DT04-08PA-P028	
APPD	S. Beard 8/31/00	ENVELOPE	DWG. SIZE	CODE 11139 SHEET OF
SCALE	NONE WT			