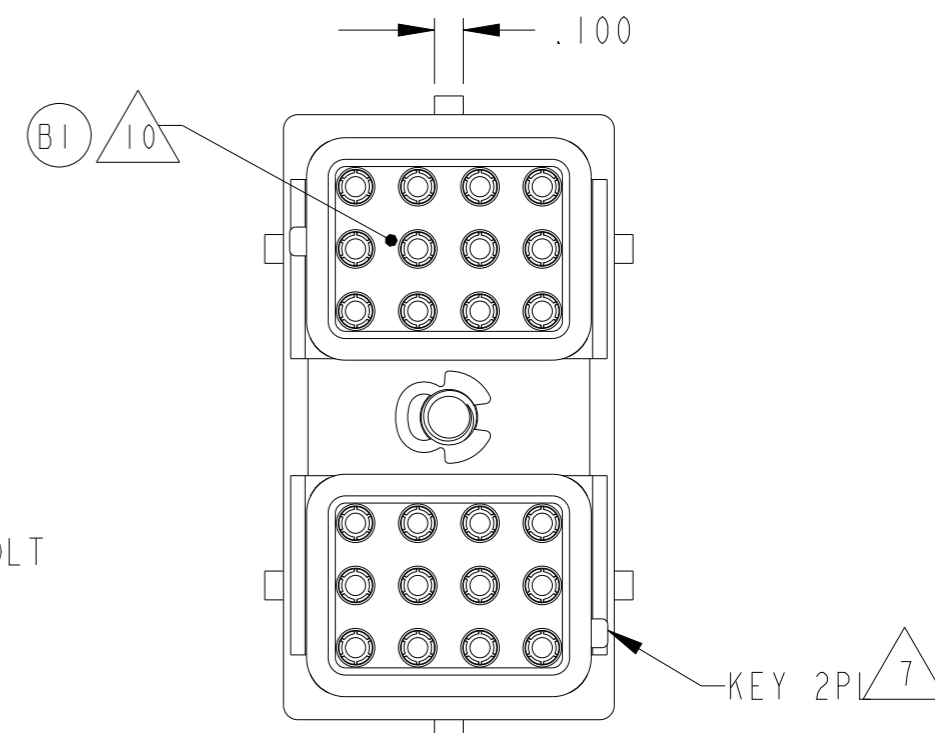
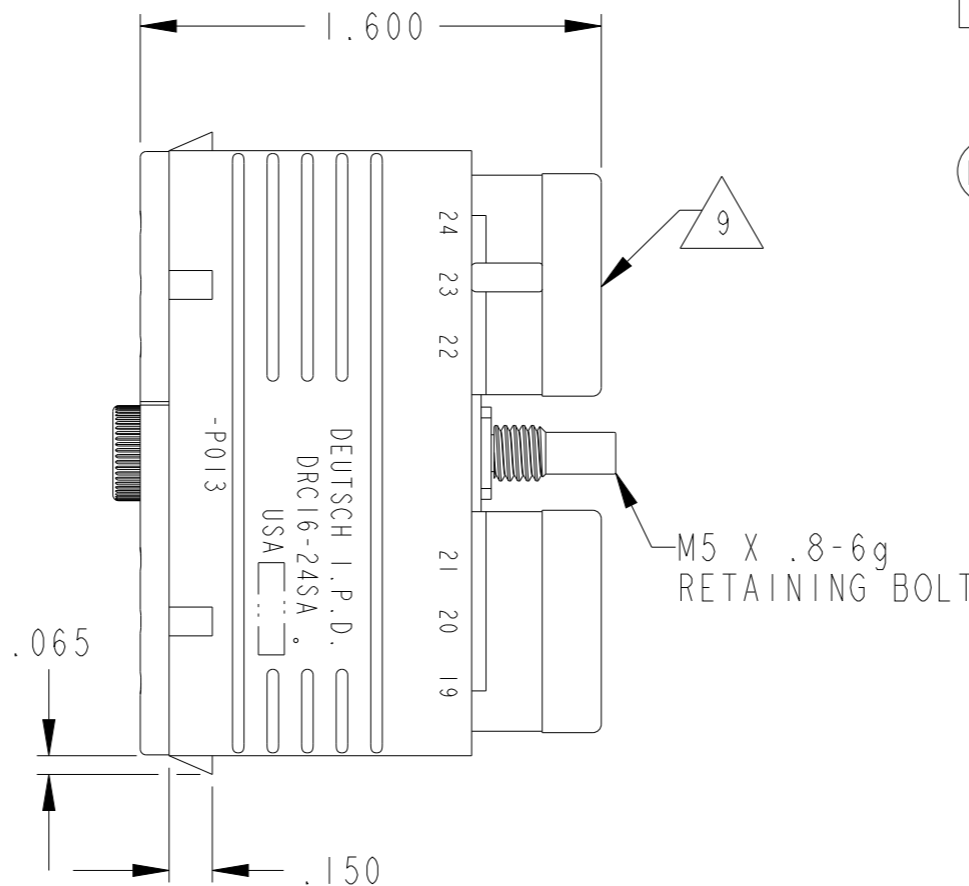
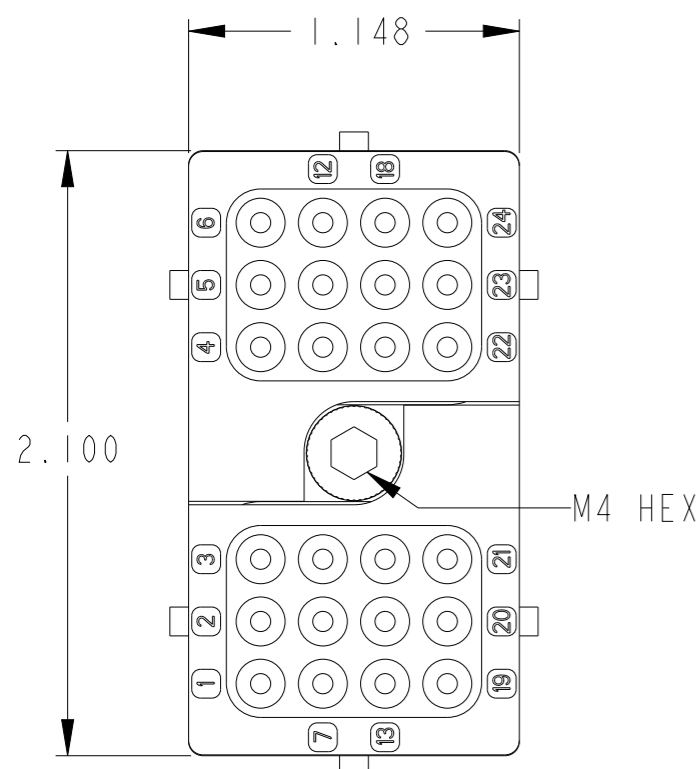


P	LTR	DESCRIPTION	DATE	DWN	APVD
A		REVISED PER E.O. P17547	10DEC01	-	RDR
B		REVISED PER E.O. P17700	03APR02	-	RDR
BI		REVISED PER PCN-24-216230	18JUL2024	RK	CB



8. MATING TORQUE REQUIREMENT: 25-28 IN-LB [2.82-3.13 Nm].

7. SEE SHEET 2 FOR OTHER KEY ARRANGEMENTS.

6. MATERIAL- PLUG: PLASTIC; SEAL/GROMMET: RUBBER; RETAINING BOLT: STEEL.

5. THIS PLUG MATES WITH DRC10-24P*-****; DRC12-24P*-****; DRC13-24P*-****; AND DRC14-24P*-**** RECEPTACLE. (*=A,B,C,D KEYS; ****=ALL MODIFICATIONS). CONSULT FACTORY FOR MODS.

4. FOR CONTACTS AND WIRE PERFORMANCE AND APPLICATION CHARACTERISTICS, SEE ENVELOPE DRAWING 0425-015-0000.

3. PLUG SUPPLIED WITH DUST CAP. (NOT SHOWN).

2. DIMENSION TOLERANCE: ±.025 [.64].

1. DIMENSIONS ARE IN INCHES [mm].

NOTES: UNLESS OTHERWISE SPECIFIED

BI 10 WEB SEAL HOLES MAY NOT BE COMPLETELY ALIGNED TO THE HOLES OF CONNECTOR BODY

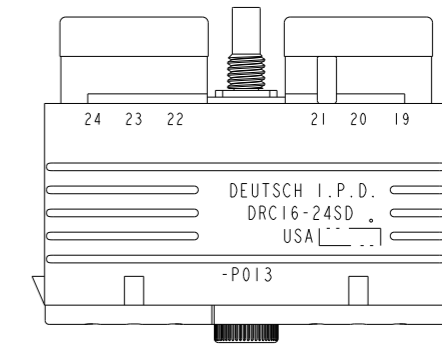
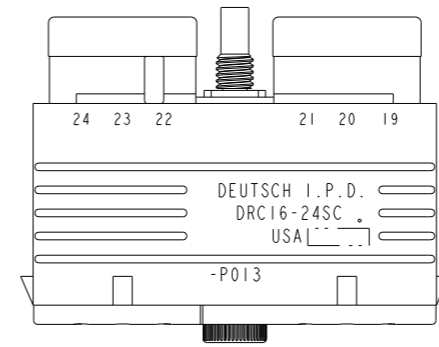
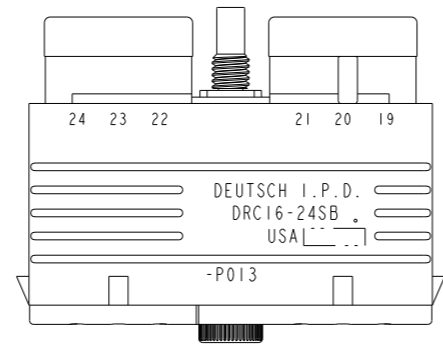
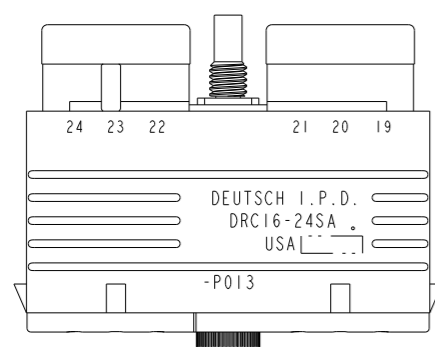
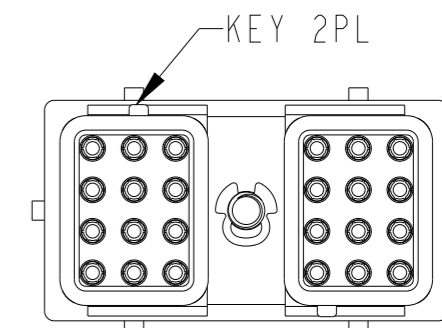
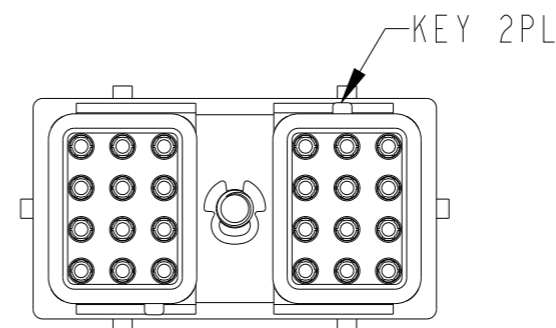
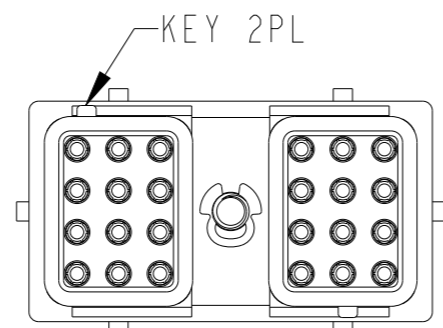
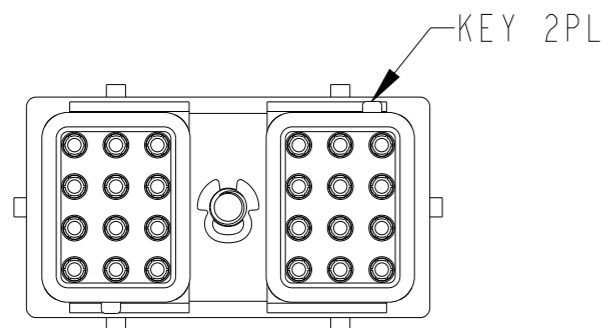
9. PART MODIFICATION: INTERFACE SEALS ARE BONDED TO PLUG.

MIN. INSUL. O.D.	MAX. INSUL. O.D.	WIRE RANGE [mm ²] REF ONLY
.100 [2.54]	.134 [3.40]	14-20 AWG [2.0-0.50]

THIS DRAWING IS A CONTROLLED DOCUMENT.		DWN D. MEYER 29NOV01	TE Connectivity	
DIMENSIONS: INCHES [mm]		CHK - 02APR02		
TOLERANCES UNLESS OTHERWISE SPECIFIED:		APVD - 03APR02	NAME PLUG 24 SIZE 16 KEYS: A,B,C,D COLOR: BLACK DRC SERIES	
0 PLC ±- 1 PLC ±- 2 PLC ±- 3 PLC ±.025 [.64] 4 PLC ±- ANGLES ±-		PRODUCT SPEC -	SIZE A3	
MATERIAL -		APPLICATION SPEC -	CAGE CODE 00779	DRAWING NO DRC16-24SX-P013
FINISH -		WEIGHT -	RESTRICTED TO -	
		CUSTOMER DRAWING	SCALE 1.5:	SHEET 1 OF 2
				REV BI

REVISIONS

P	LTR	DESCRIPTION	DATE	DWN	APVD
-	-	SEE SHEET 1	-	-	-



DRC16-24SA-P013
KEY: -A-

DRC16-24SB-P013
KEY: -B-

DRC16-24SC-P013
KEY: -C-

DRC16-24SD-P013
KEY: -D-

THIS DRAWING IS A CONTROLLED DOCUMENT.		DWN D. MEYER	29NOV01														
DIMENSIONS: INCHES [mm]		CHK -	02APR02														
TOLERANCES UNLESS OTHERWISE SPECIFIED:		APVD -	03APR02	NAME PLUG 24 SIZE 16 KEYS: A,B,C,D COLOR: BLACK DRC SERIES													
<table border="0"> <tr><td>0 PLC</td><td>±-</td></tr> <tr><td>1 PLC</td><td>±-</td></tr> <tr><td>2 PLC</td><td>±-</td></tr> <tr><td>3 PLC</td><td>±.025 [.64]</td></tr> <tr><td>4 PLC</td><td>±-</td></tr> <tr><td>ANGLES</td><td>±-</td></tr> </table>		0 PLC	±-	1 PLC	±-	2 PLC	±-	3 PLC	±.025 [.64]	4 PLC	±-	ANGLES	±-	PRODUCT SPEC -	APPLICATION SPEC -	SIZE A3	CAGE CODE 00779
0 PLC	±-																
1 PLC	±-																
2 PLC	±-																
3 PLC	±.025 [.64]																
4 PLC	±-																
ANGLES	±-																
MATERIAL -		FINISH -	WEIGHT -	DRAWING NO DRC16-24SX-P013													
		CUSTOMER DRAWING		RESTRICTED TO -	SCALE 1:1												
				SHEET 2	OF 2												
				REV B1													