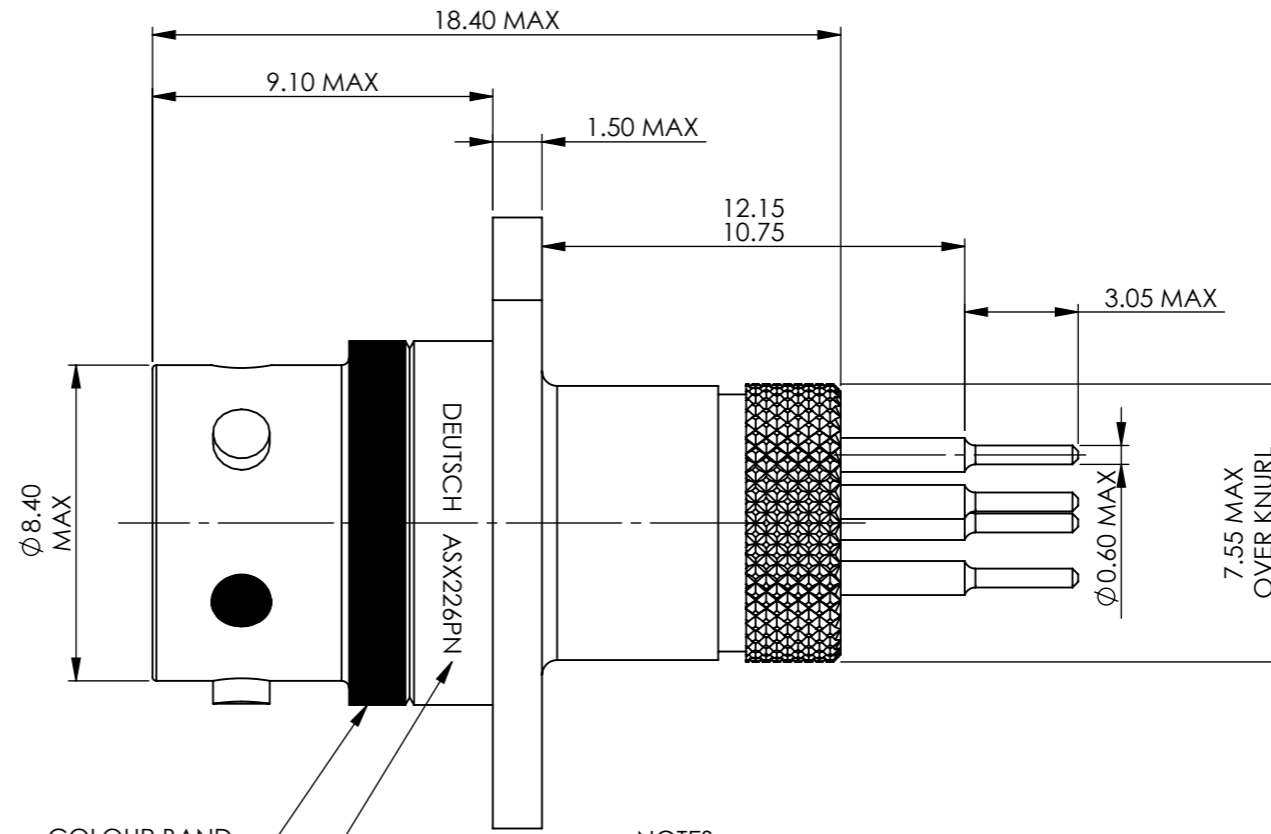
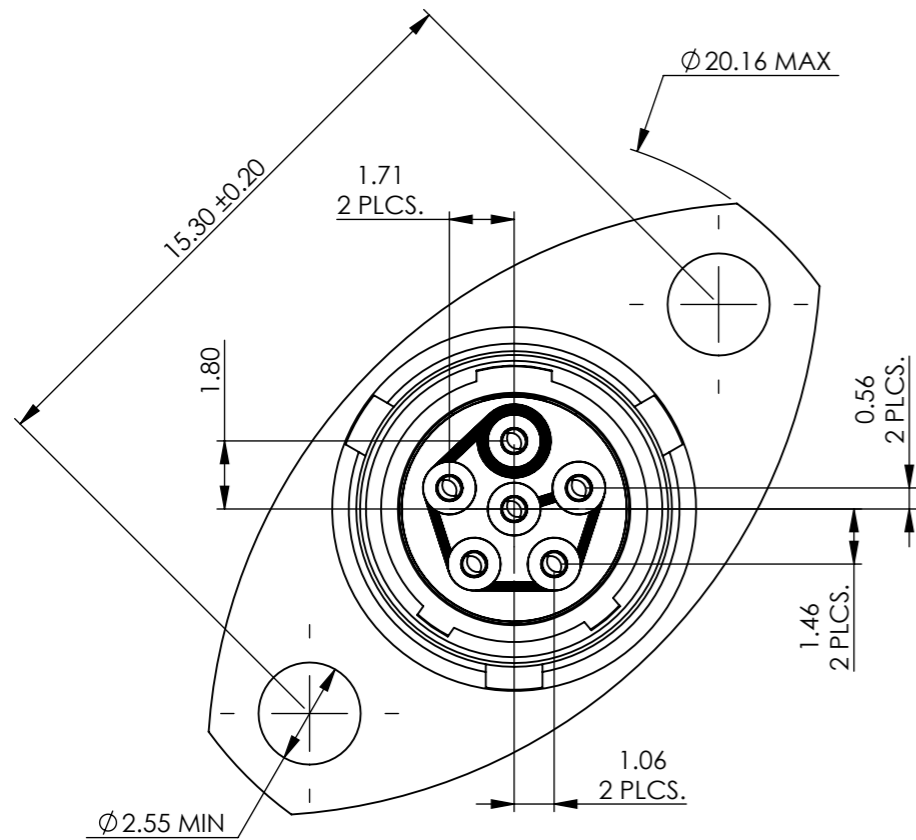
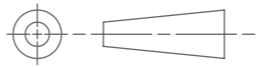


DRAWING NUMBER  
611764-101X-ENV

A3

BS 8888  
THIRD ANGLE  
PROJECTION  
IF IN DOUBT, ASK



COLOUR BAND  
SEE NOTE 1

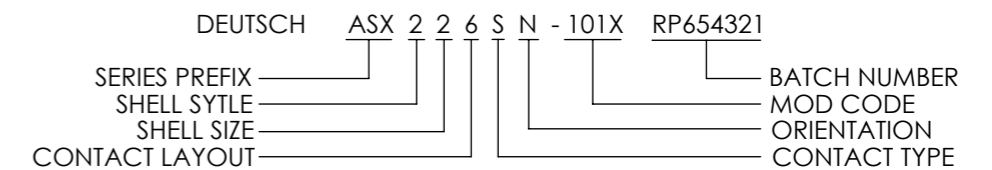
ABBREVIATED PART No.  
AND BATCH No.  
BEHIND THE COLOUR BAND  
SEE NOTE 2

NOTES:

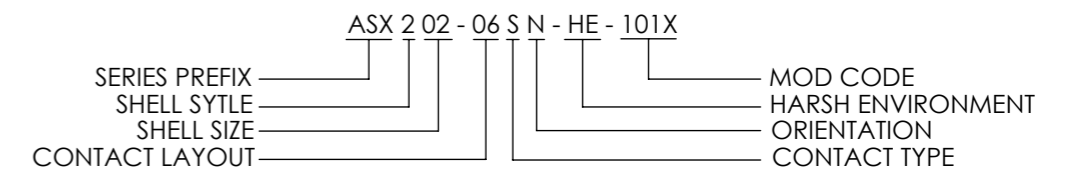
- CONNECTOR ORIENTATION IDENTIFIED BY COLOUR BAND APPLIED AS BELOW.  

N - ORIENTATION = RED	D - ORIENTATION = GREEN
A - ORIENTATION = YELLOW	E - ORIENTATION = GREY
B - ORIENTATION = BLUE	U - ORIENTATION = VIOLET
C - ORIENTATION = ORANGE	

- PART MARKING EXAMPLE:



- FULL PART NUMBER STRUCTURE TO BE USED FOR ORDERING:-



A	62798	JCS	NDL	NDL	TH	23/07/13
ISSUE	CHANGE NOTE	DRAWN	CHECKED	APP. ENG.	APP. MARKETING	DATE

<b>MATERIAL</b>		<p>© THE COPYRIGHT OF THIS DRAWING IS RESERVED BY DEUTSCH UK. IT IS ISSUED ON CONDITION THAT IT IS NOT COPIED, REPRODUCED OR DISCLOSED TO A THIRD PARTY EITHER WHOLLY OR IN PART WITHOUT THE CONSENT IN WRITING OF DEUTSCH UK.</p>	<p>ST LEONARDS ON SEA, EAST SUSSEX, TN38 9RF TEL. +44 (0)1424 852721</p>
<b>HEAT TREATMENT &amp; FINISH</b>			
<b>PACKAGING</b>			
<b>APP. I.E.D</b>		<b>TITLE</b>	<b>DRAWING NUMBER</b>
<b>SCALE</b>	5:1	2 HOLE RECEPTACLE ASX 6 WAY 101X MOD ENVELOPE DETAILS	611764-101X-ENV