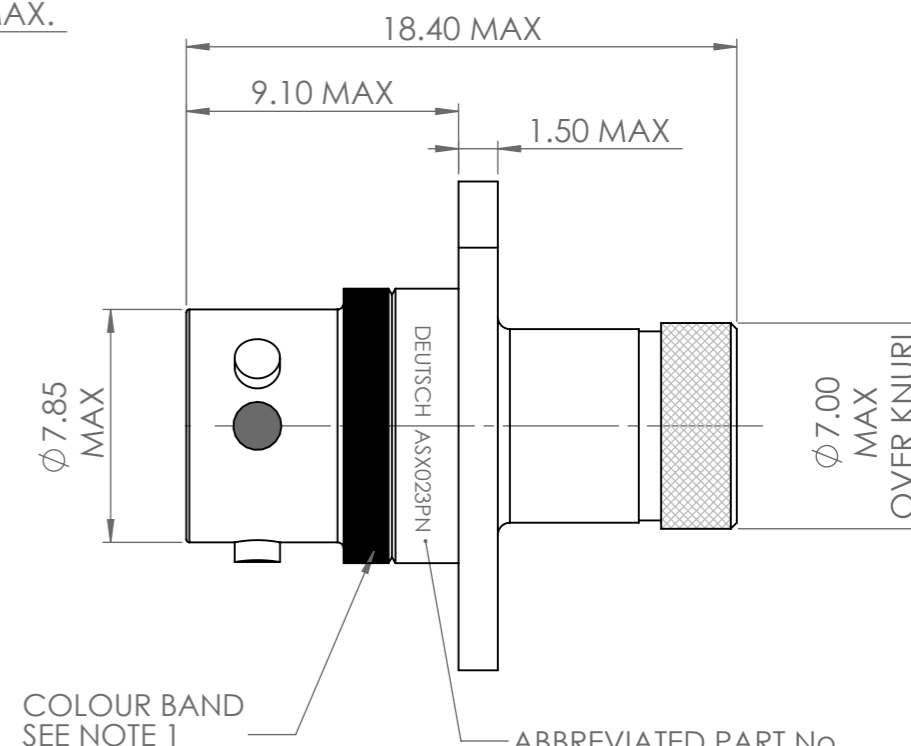
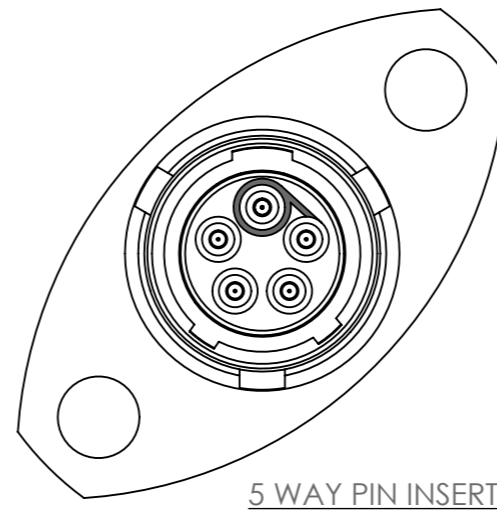
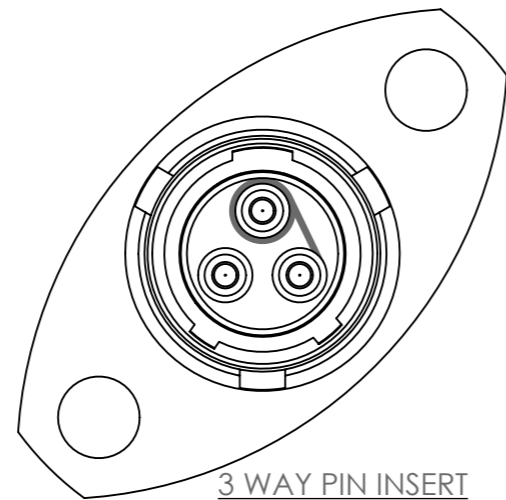
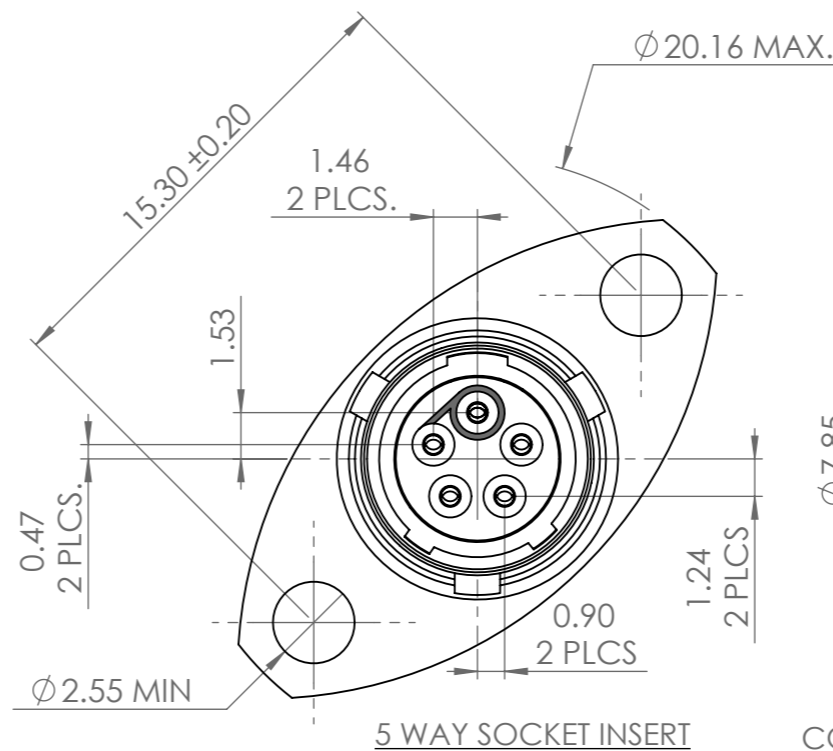
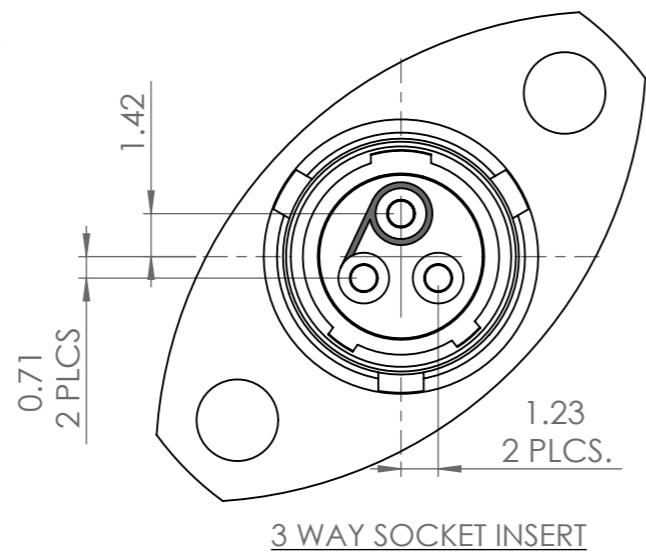
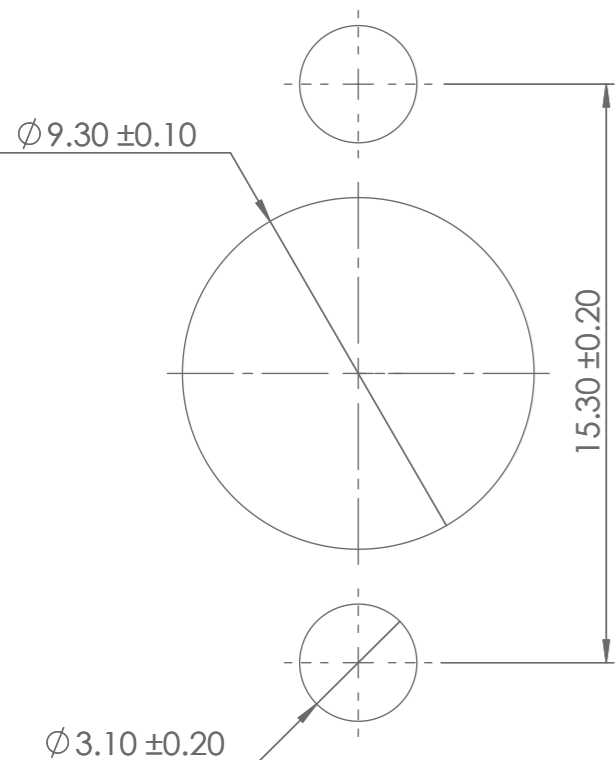
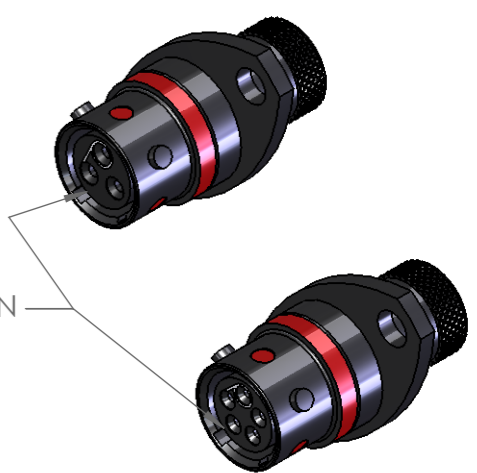


RECOMMENDED PANEL CUT OUT DETAIL



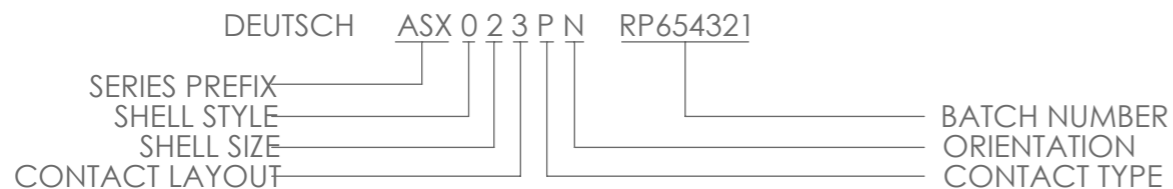
3 WAY AND 5 WAY AVAILABLE AS SHOWN



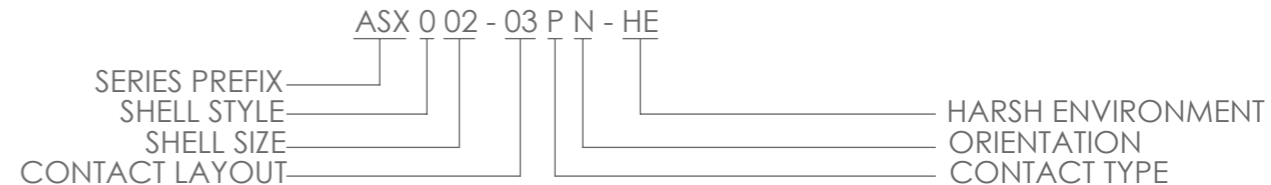
NOTES:

- CONNECTOR ORIENTATION IDENTIFIED BY COLOUR BAND APPLIED AS BELOW.
 N - ORIENTATION = RED
 A - ORIENTATION = YELLOW
 B - ORIENTATION = BLUE
 C - ORIENTATION = ORANGE
 D - ORIENTATION = GREEN
 E - ORIENTATION = GREY

2. PART MARKING EXAMPLE:



3. FULL PART NUMBER STRUCTURE TO BE USED FOR ORDERING:-



ISSUE	CHANGE NOTE	DRAWN	CHECKED	APP. ENG.	APP. MARKETING	DATE
D	59541	ADH	NDL	NDL	I.GOULDING	07/12/10
C	58839	ADH	NDL	NDL	I.GOULDING	14/07/10
B	57713	ADH	NDL	NDL	I.GOULDING	12/10/09
A	56452	ADH	NDL	IKG	D.WATTERS	08/10/09

MATERIAL	
HEAT TREATMENT & FINISH	
PACKAGING	
APP. I.E.D.	

© THE COPYRIGHT OF THIS DRAWING IS RESERVED BY DEUTSCH UK. IT IS ISSUED ON CONDITION THAT IT IS NOT COPIED, REPRODUCED OR DISCLOSED TO A THIRD PARTY EITHER WHOLLY OR IN PART WITHOUT THE CONSENT IN WRITING OF DEUTSCH UK.

GENERAL TOLERANCES UNLESS OTHERWISE STATED:
 ±0.4mm ON WHOLE NUMBERS
 ±0.2mm ON ONE PLACE DECIMALS
 ±0.1mm ON TWO PLACE DECIMALS
 ±1/2° ON ANGLES
 ±0.05mm ON DRILLED HOLES
 ALL DIAMETERS ϕ 0.10

REMOVE ALL BURRS AND SHARP EDGES 0.1 MAX. UNLESS OTHERWISE STATED.

DIMENSIONS IN MILLIMETRES UNLESS OTHERWISE STATED

SCALE 5:1

TITLE
 2 HOLE RECEPTACLE
 AS SIZE 2 ENVELOPE
 3 AND 5 WAY



DRAWING NUMBER
 610895-ENV