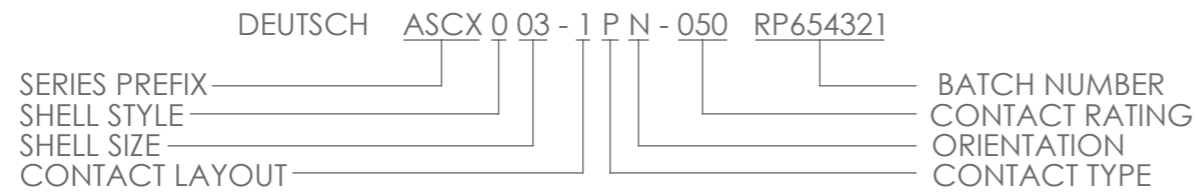


PART No. & BATCH No.  
MARKED OVER COLOUR BAND  
SEE NOTES 1 & 2

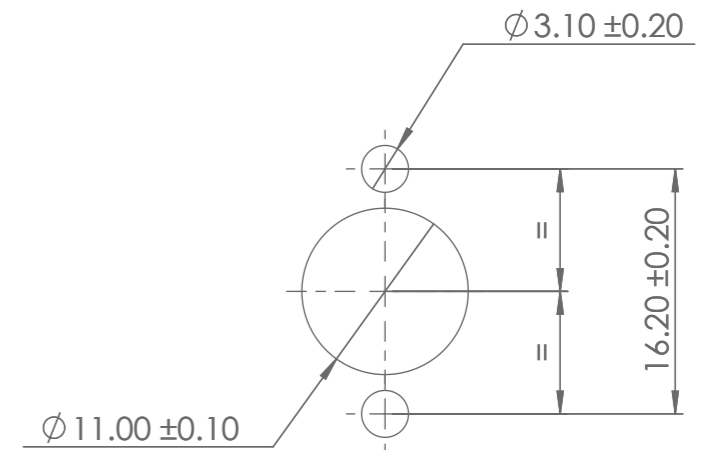
NOTES:

- CONNECTOR ORIENTATION IDENTIFIED BY COLOUR BAND COLOUR APPLIED AS BELOW  
 N ORIENTATION - RED                      D ORIENTATION - GREEN  
 A ORIENTATION - YELLOW                E ORIENTATION - GREY  
 B ORIENTATION - BLUE                    U ORIENTATION - VIOLET  
 C ORIENTATION - ORANGE

- PART NUMBER, SEE BELOW FOR EXAMPLE:-



- THIS PART IS RoHS COMPLIANT.
- FOR COAX CONTACT ASSEMBLY INSTRUCTIONS PLEASE REFER TO 610992.



RECOMMENDED PANEL CUTOUT DETAIL

A	59205	ADH	NDL	NDL	D.WATERS	12/10/10
ISSUE	CHANGE NOTE	DRAWN	CHECKED	APP. ENG.	APP. MARKETING	DATE

MATERIAL	
HEAT TREATMENT & FINISH	
PACKAGING	
APP. I.E.D.	

© THE COPYRIGHT OF THIS DRAWING IS RESERVED BY DEUTSCH UK. IT IS ISSUED ON CONDITION THAT IT IS NOT COPIED, REPRODUCED OR DISCLOSED TO A THIRD PARTY EITHER WHOLLY OR IN PART WITHOUT THE CONSENT IN WRITING OF DEUTSCH UK.

GENERAL TOLERANCES UNLESS OTHERWISE STATED:  
 ±0.4mm ON WHOLE NUMBERS  
 ±0.2mm ON ONE PLACE DECIMALS  
 ±0.1mm ON TWO PLACE DECIMALS  
 ±1/2° ON ANGLES  
 ±0.05mm ON DRILLED HOLES  
 ALL DIAMETERS Ø 0.10

REMOVE ALL BURRS AND SHARP EDGES 0.1 MAX. UNLESS OTHERWISE STATED.

DIMENSIONS IN MILLIMETRES UNLESS OTHERWISE STATED

SCALE 2:1

TITLE  
 ASCX SIZE 3 RECEPTACLE  
 ENVELOPE DETAILS  
 SINGLE WAY COAX



DRAWING NUMBER  
 610877-ENV