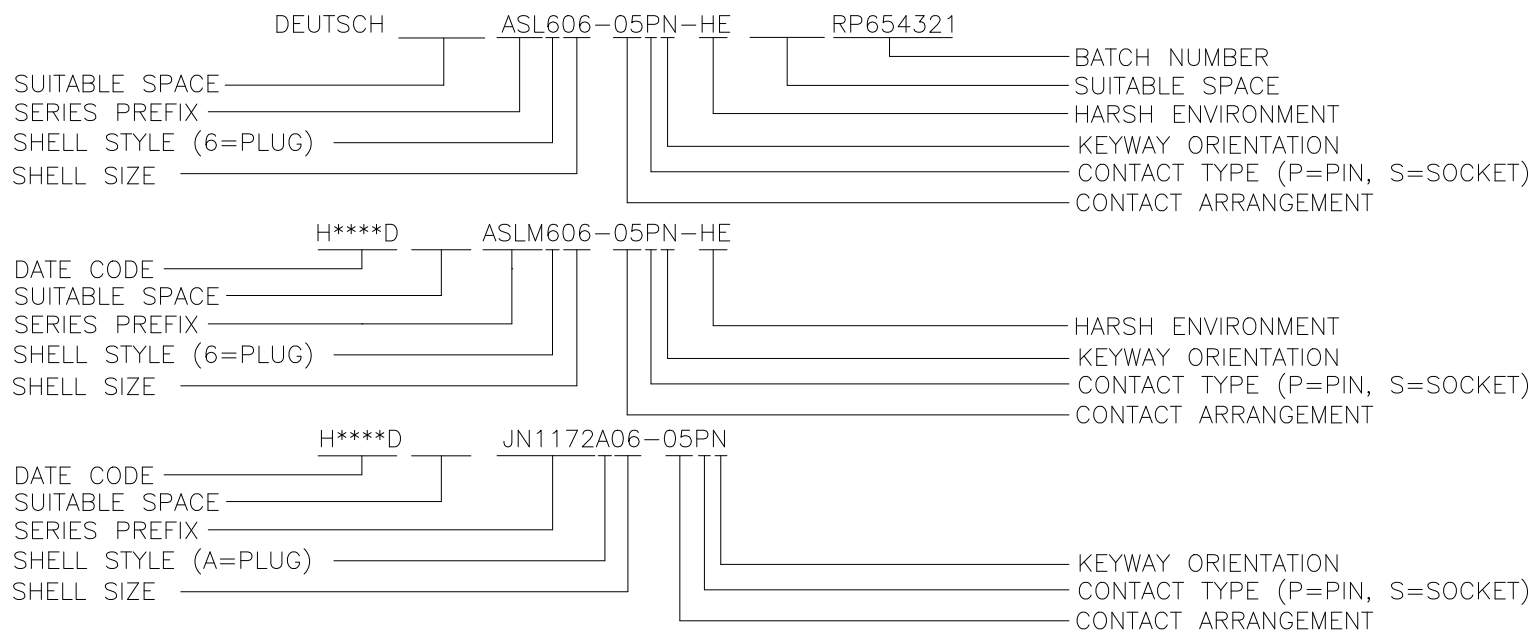


NOTES:-

1. ALL DIMENSIONS ARE FOR REFERENCE ONLY.
2. CONNECTOR SHOWN IS PIN VARIANT.
3. BATCH NUMBER & PART NUMBER BREAKDOWN :-



ISSUE	CHANGE NOTE	DRAWN	CHECKED	APP. ENG.	DATE
03	56385	ADH	JHJ	KJF	13/10/08
02	55824	ADH	NDL	JAK	08/05/08
01	53969	NDL	JAK	JAK	22/03/07

MATERIAL	HEAT TREATMENT & FINISH
-----	-----
-----	-----
-----	-----

© THE COPYRIGHT OF THIS DRAWING IS RESERVED BY DEUTSCH LTD. IT IS ISSUED ON CONDITION THAT IT IS NOT COPIED, REPRODUCED OR DISCLOSED TO A THIRD PARTY EITHER WHOLLY OR IN PART WITHOUT THE CONSENT IN WRITING OF DEUTSCH LTD.

GENERAL TOLERANCES UNLESS OTHERWISE STATED.
 ±0.4mm ON WHOLE NUMBERS
 ±0.2mm ON ONE PLACE DECIMALS
 ±0.1mm ON TWO PLACE DECIMALS
 ±1/2° ON ANGLES
 ±0.05mm ON DRILLED HOLES
 REMOVE ALL BURRS AND SHARP EDGES 0.1 MAX. UNLESS OTHERWISE STATED.



DEUTSCH LTD
 EAST GRINSTEAD, WEST SUSSEX, RH19 1RW TEL:- (01342) 410033

TITLE **PLUG ASSEMBLY AS MICROLITE ENVELOPE DETAILS**

DRAWING NUMBER **604933-ENV**