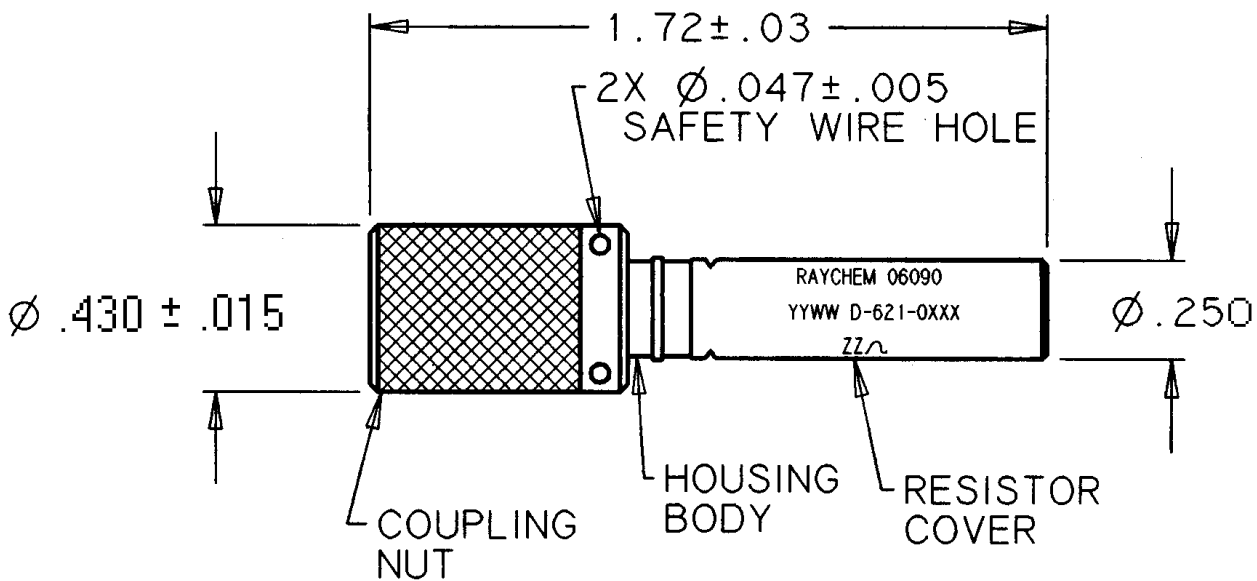


-0XXX(-L) \*  
 -0013(-L)  
 -0015(-L)  
 -0017(-L)  
 -0018(-L)  
 -0023(-L)  
 -0024(-L)  
 -0106(-L)  
 -0107(-L)

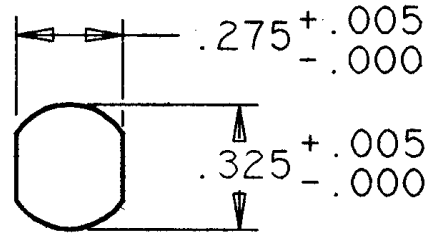
REVISIONS			
LTR	DESCRIPTION	DATE	APPROVED
NC	RELEASED PER E.C.N. T-8409	87-7-21	L.M.
A	REVISED PER E.C.N. T-08648	87-9-24	L.M.
B	REVISED PER E.C.N. T-9548	88-4-7	Z.T.
C	REVISED PER E.C.N. T-14157	90-4-10	Z.T.
D	REVISED PER E.C.N. T-14451	90-8-3	Z.T.
E	REVISED PER E.C.N. T-16949 "WAS" D-621-0XXX[-L]	92-1-6	35
F	REVISED PER DCR# T-24646	4/27/2000	M.HIGGY
G	REVISED PER DCR# T-26623	6/2/2000	M.HIGGY



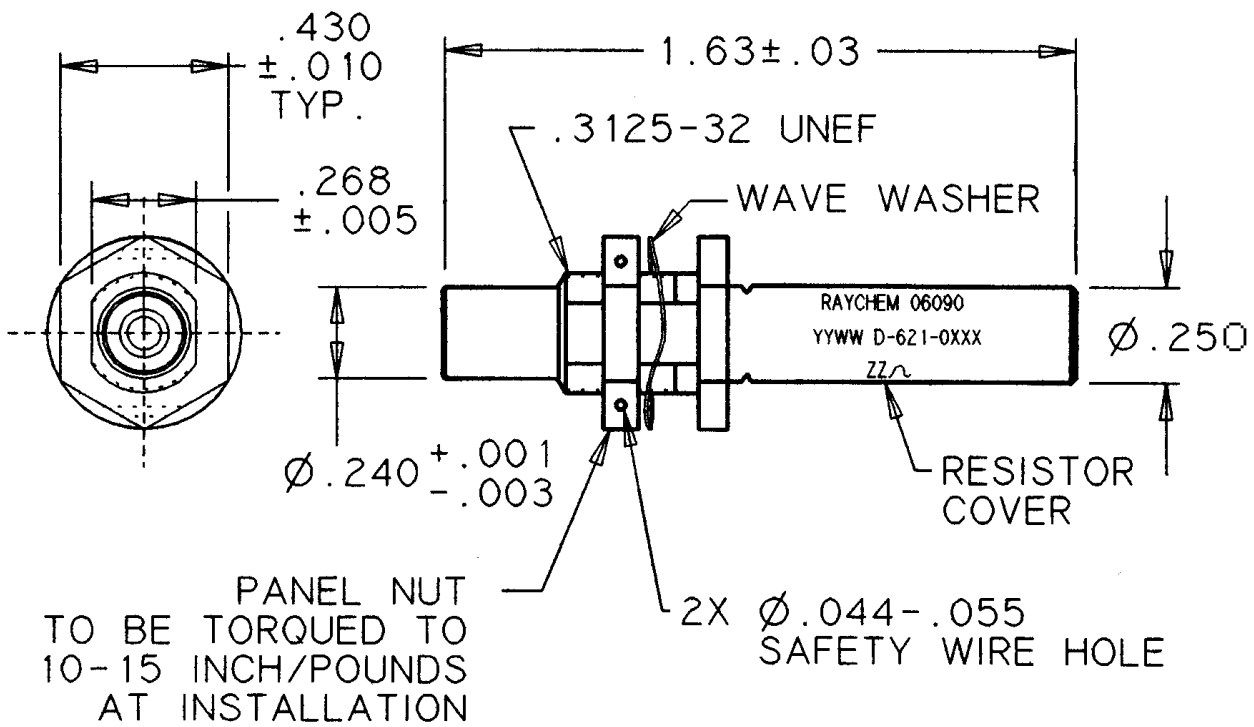
TRIAxIAL CONNECTOR, PLUG

SPECIFICATION CONTROL DRAWING

UNLESS OTHERWISE SPECIFIED DIMENSIONS ARE IN INCHES. METRIC DIMENSIONS ARE IN BRACKETS.  DECIMALS .XXX ± .005 { mm } .XX ± .01 { mm }  ANGLES .X ± 1°  WEIGHT:	DRAWN J.B.K. 91 DEC 3 CHECKED APPROVED APPROVED CAD NAME T26623a.TIFF	TITLE <b>THREADED, CONNECTORIZED,          RESISTOR TERMINATOR</b>	RAYCHEM CORPORATION 300 CONSTITUTION DRIVE MENLO PARK, CALIFORNIA 94025	
	THIRD ANGLE PROJECTION	SIZE <b>A</b>	CODE IDENT. NO. <b>06090</b>	DWG. NO. <b>D-621-00XX/0107[-L]</b>
		DO NOT SCALE THIS DRAWING	SHEET 1 OF 6	REV <b>G</b>

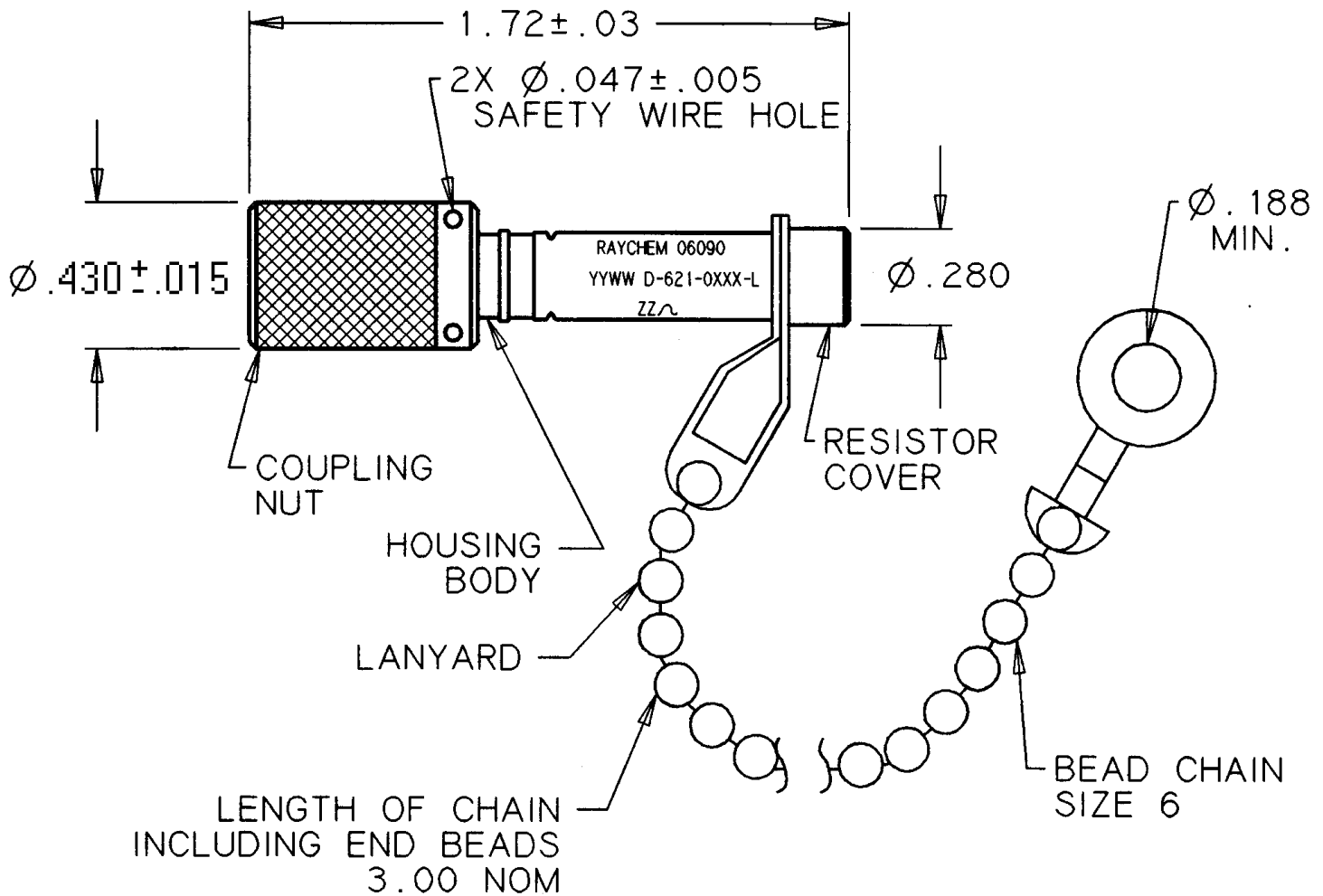


MOUNTING HOLE  
DIMENSION



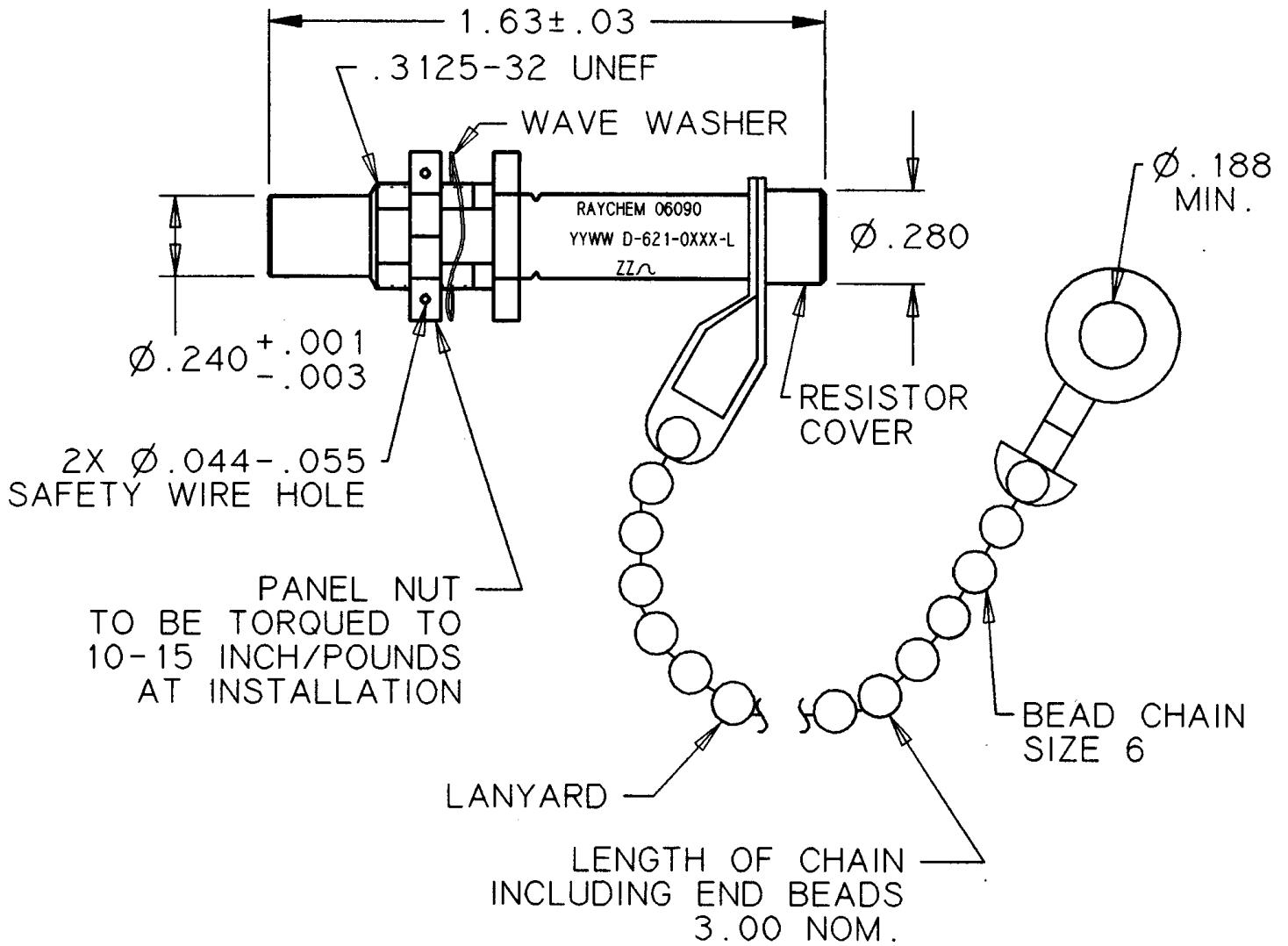
TRIAxIAL CONNECTOR, JACK

CAD NAME: T26623b.TIF	DRAWN	J.B.K.	91 DEC 3	SIZE	CODE IDENT. NO.	DWG. NO.	REV
	ISSUED			A	06090	D-621-00XX/0107[-L]	G
DO NOT SCALE THIS DRAWING						SHEET 2 OF 6	



TRIAxIAL CONNECTOR. PLUG

CAD NAME: T26623c.TIF	DRAWN	J.B.K.	91 DEC 3	SIZE	CODE IDENT. NO.	DWG. NO.	REV
	ISSUED			A	06090	D-621-00XX/0107[-L]	G
DO NOT SCALE THIS DRAWING						SHEET 3 OF 6	



TRIAxIAL CONNECTOR, JACK

CAD NAME: T26623d.TIF	DRAWN	J.B.K.	91 DEC 3	SIZE	CODE IDENT. NO.	DWG. NO.	REV
	ISSUED			A	06090	D-621-00XX/0107[-L]	G
DO NOT SCALE THIS DRAWING							SHEET 4 OF 6

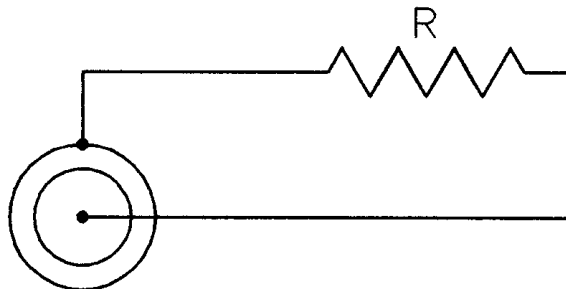
- 1.0 MATERIALS AND FINISHES
- 1.1 HOUSING BODY (PLUG): COPPER ALLOY PER ASTM B16  
TIN PLATED PER MIL-T-10727
- 1.1.1 INSULATION: POLYETHERSULFONE
- 1.2 COUPLING NUT (PLUG): COPPER ALLOY PER ASTM B16  
NICKEL PLATED PER QQ-N-290
- 1.2 HOUSING BODY (JACK): COPPER ALLOY PER ASTM B16  
TIN PLATED PER MIL-T-10727
- 1.3 PANEL NUT (JACK): COPPER ALLOY PER ASTM B16  
NICKEL PLATED PER QQ-N-290
- 1.4 WAVE WASHER (JACK): SPRING STEEL OR BECU,  
NICKEL PLATED PER QQ-N-290
- 1.5 RESISTOR: MEETS THE FUNCTIONAL REQUIREMENTS OF MIL-R-55182,  
SEE SHEET 6 OF 6 FOR RESISTANCE VALUE
- 1.6 RESISTOR COVER: STAINLESS STEEL, TYPE 303, PER ASTM A582,  
PASSIVATE PER QQ-P-35
- 1.7 CONTACT (COAXIAL): SEE SCD FOR D-602-0126 (PIN)  
AND D-602-0127 (SOCKET)
- 1.8 LANYARD: CORROSION RESISTANT STEEL, PASSIVATED PER NAS1206

2.0 PERFORMANCE CAPABILITIES

- 2.1 REFER TO RAYCHEM SPECIFICATION D-6025 (SUPERSEDES D-6050) AND  
D-6020 FOR PERFORMANCE AND QUALIFICATION REQUIREMENTS.
- 2.2 INTERMATEABILITY: SEE SHEET 6 OF 6

2.2 GENERAL CHARACTERISTICS

- 2.2.1 OPERATING TEMPERATURE: -65°C TO 125°C
- 2.2.2 INSULATION RESISTANCE: GREATER THEN 5K MEG \*
- 2.2.3 DIELECTRIC STRENGTH: 900 VAC AT 60 Hz \*
- 2.2.4 POWER RATING: 1 WATT MAX.
- 2.2.5 TERMINATOR RESISTANCE: SEE RESISTANCE VALUES, SHEET 6 OF 6
- 2.2.6 INSERTION FORCE: 3 POUNDS MAX.
- 2.2.7 WITHDRAWAL FORCE: 1 OUNCE MIN.
- 2.2.8 CONTACT RETENTION: (TERMINATED) 20 POUNDS MIN.
- 2.2.9 DURABILTY: 500 CYCLE



\* BETWEEN INNER COAXIAL CONTACT AND OUTER HOUSING

R = SEE SHEET 6 OF 6 FOR RESISTANCE VALUE ±2%

CAD NAME: T26623e.TIF	DRAWN	J. B. K.	91 DEC 3	SIZE	CODE IDENT. NO.	DWG. NO.	REV
	ISSUED			A	06090	D-621-00XX/0107[-L]	G
DO NOT SCALE THIS DRAWING						SHEET 5 OF 6	

NOTES:

① SUFFIX "L" INDICATES PARTS WITH LANYARD.

② WEIGHT: PLUG: 19 GRAMS MAX., WITH LANYARD: 24 GRAMS MAX.  
 JACK: 14 GRAMS MAX., WITH LANYARD: 19 GRAMS MAX.

DRAWING NO.	CONN.	INSTALLED CONTACT	MATING CONNECTOR	MATING CONTACT	RESISTANCE VALUE ±2%
D-621-0013	PLUG	PIN	D-621-0012	SOCKET	78 OHMS
D-621-0015	PLUG	SOCKET	D-621-0012	PIN	78 OHMS
D-621-0017	PLUG	PIN	D-621-0012	SOCKET	3000 OHMS
D-621-0018	JACK	PIN	D-621-0011	SOCKET	78 OHMS
D-621-0023	JACK	PIN	D-621-0011	SOCKET	3000 OHMS
D-621-0024	JACK	SOCKET	D-621-0011	PIN	3000 OHMS
D-621-0106	JACK	SOCKET	D-621-0011	PIN	78 OHMS
D-621-0107	PLUG	SOCKET	D-621-0012	PIN	3000 OHMS

① DRAWING NO.	CONN.	INSTALLED CONTACT	MATING CONNECTOR	MATING CONTACT	RESISTANCE VALUE ±2%
D-621-0013-L	PLUG	PIN	D-621-0012	SOCKET	78 OHMS
D-621-0015-L	PLUG	SOCKET	D-621-0012	PIN	78 OHMS
D-621-0017-L	PLUG	PIN	D-621-0012	SOCKET	3000 OHMS
D-621-0018-L	JACK	PIN	D-621-0011	SOCKET	78 OHMS
D-621-0023-L	JACK	PIN	D-621-0011	SOCKET	3000 OHMS
D-621-0024-L	JACK	SOCKET	D-621-0011	PIN	3000 OHMS
D-621-0106-L	JACK	SOCKET	D-621-0011	PIN	78 OHMS
D-621-0107-L	PLUG	SOCKET	D-621-0012	PIN	3000 OHMS

CAD NAME: T266231.TIF	DRAWN	J. B. K.	91 DEC 3	SIZE	CODE IDENT. NO.	DWG. NO.	REV
	ISSUED			A	06090	D-621-00XX/0107[-L]	G
DO NOT SCALE THIS DRAWING						SHEET 6 OF 6	