

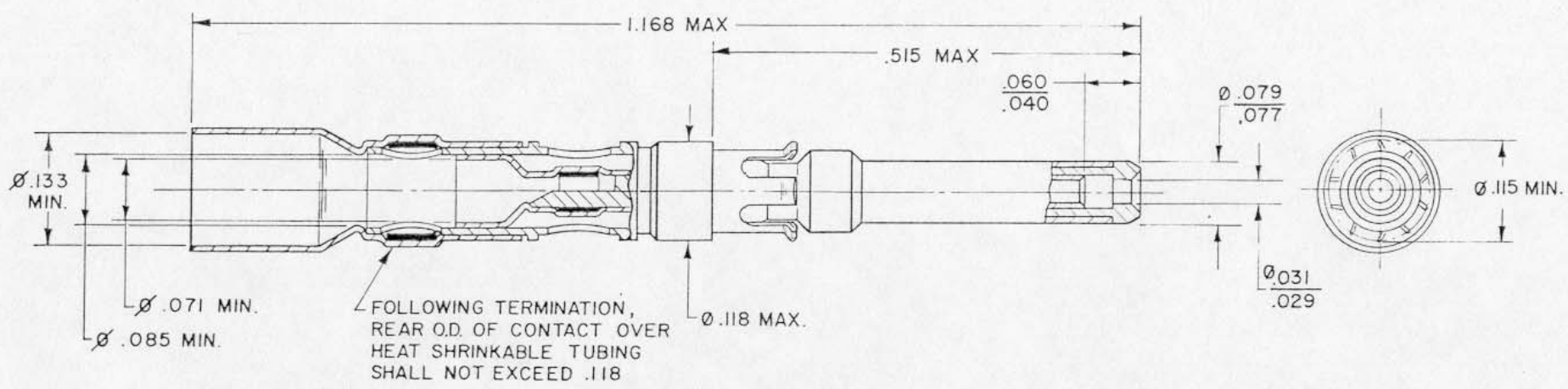
4

3

2

1

F		REVISED PER EC.N.T- 5936	10/2/86 H. H. 898
---	--	--------------------------	-------------------



NOTES:

1. THIS CONTACT IS DESIGNED FOR USE IN MIL-C-28748 SIZE 16 CAVITIES.
2. THIS CONTACT IS DESIGNED TO TERMINATE TO THE CABLES IN TABLE. OTHER APPLICATIONS SHOULD BE SUBMITTED TO RAYCHEM FOR EVALUATION.
3. FOR TERMINATION PROCEDURE: SEE ES 61135
4. MATING CONTACT (FOR SIMILAR CABLES) D-602-73

CONTACT CHARACTERISTICS:

MATERIALS:

- CONTACT MEMBERS: COPPER ALLOY PER QQ-B-626 & QQ-C-530
- CONTACT PLATING: GOLD PER MIL-G-45204, NICKEL PER QQ-N-290 OVER COPPER FLASH.
- SPRING MEMBER: BERYLLIUM COPPER PER QQ-C-533
- SPRING PLATING: NICKEL PER QQ-N-290
- DIELECTRIC: FLUOROPOLYMER
- SOLDER: SN63 PER QQ-S-571
- CABLE SUPPORT TUBING: POLYVINYLIDENE FLUORIDE

PERFORMANCE:

- TEMPERATURE RATING: 125°C MAXIMUM.
- CURRENT RATING: 3 AMPS.
- VOLTAGE RATING: DIELECTRIC WITHSTAND VOLTAGE, 900 VOLTS. RMS, MAXIMUM.
- CONTACT RESISTANCE: 10 MILLIOHMS MAXIMUM (INNER). 8 MILLIOHMS MAXIMUM (OUTER).
- INSULATION RESISTANCE: 5,000 MEGOHMS MINIMUM.
- ENGAGEMENT FORCE, INNER SOCKET: 6.0 OZ. MAXIMUM.
- SEPARATION FORCE, INNER SOCKET: 0.5 OZ. MINIMUM.

RG CABLE NO.	RAYCHEM CABLE NO.
RG - 179 B/U	5026A 1X1X
RG - 187/U	5030A 1X1X
RG - 316 /U	7528A 1X1X
	7530A 1X1X
	9532A 1X1X

CONNECTOR SPECIFICATION CONTROL DRAWING

UNLESS OTHERWISE SPECIFIED DIMENSIONS ARE IN INCHES. BRACKETED DIMENSIONS () ARE METRIC AND TOLERANCES ARE: XXX ± () XX ± () Δ ±	DRAWN	DWW	2-15-80	Tyco Electronics Corporation 350 Constitutional Drive Menlo Park, CA 94025 USA Raychem
	CHECKED			
	APPROVED	<i>[Signature]</i>	7/23/80	
	APPROVED	<i>[Signature]</i>	7/30/80	TITLE
	APPROVED			SHIELDED CONTACT, PIN COAXIAL CABLE
	APPROVED			SIZE
				C
				CODE IDENT
				NO. 06090
				DWG. NO.
				D-602-72
				WEIGHT
				SHEET
				OF

If this document is printed it becomes uncontrolled. Check for the latest revision.

DO NOT SCALE THIS DRAWING