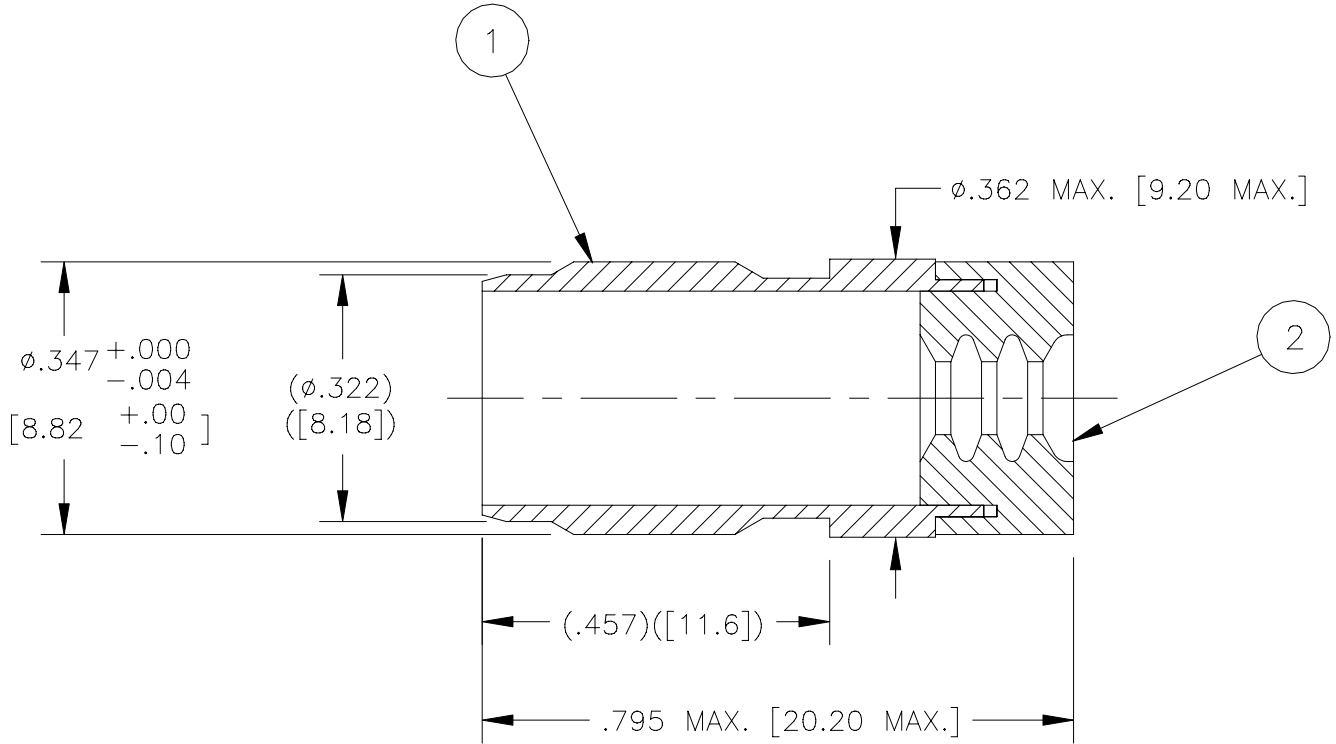


THIS DRAWING AND THE INFORMATION SET FORTH HERE-
ON ARE THE PROPERTY OF TYCO ELECTRONICS,
AND ARE TO BE HELD IN TRUST AND CONFIDENCE. PUB-
LICATION, DUPLICATION, DISCLOSURE, OR USE FOR ANY
PURPOSE NOT EXPRESSLY AUTHORIZED IN WRITING BY
TYCO ELECTRONICS IS PROHIBITED.

REVISIONS			
LTR	DESCRIPTION	DATE	APPROVED
φ	FRANCE	05/FEB/90	HISTORY FILE
A	TRANSLATE AND REDRAW ON CAD PER DCR# T-31798	May/23/03	M.HIGGY

SEALING GROMMET



NOTES:

1. MATERIAL: ITEM 1, BODY: 30% GLASS FIELD POLYARLENE.
ITEM 2, SEAL: FLUOROSILICONE.
2. CABLE ACCOMMODATION: ø.118/ø.161 INCHES (3.0mm/4.10mm)
3. THIS GROMMET IS DESIGNED FOR USE WITH A RAYCHEM SIZE 8 TRI-AXIAL SOLDERTACT CONTACT. DK-602-0186-X AND DK-602-0187-X
4. PROPER FIT OF GROMMET IS DEPENDENT UPON A SPECIFIC CONNECTOR PRODUCT. CONSULT RAYCHEM FOR APPLICATION AND USE OF THIS GROMMET.

SPECIFICATION CONTROL DRAWING

If this document is printed it becomes uncontrolled.
Check for the latest revision.

UNLESS OTHERWISE SPECIFIED DIMENSIONS ARE IN INCHES. METRIC DIMENSIONS ARE IN BRACKETS. DECIMALS .XXX ± .010 [— mm] .XX ± .03 [— mm] ANGLES .X ± 1° WEIGHT — lbs [— g]	DRAWN ZS.O. May/23/03		TYCO ELECTRONICS 300 Constitution Drive Menlo Park, CA. 94025 USA	
	CHECKED			
	APPROVED M.HIGGY May/23/03	TITLE SEALING GROMMET FOR MIL-C-83527 CONNECTOR SIZE 8 CAVITY		
	CAD NAME: T31798.DWG RPN. NO.	SIZE A CODE IDENT. NO. 06090 DWG. NO. D-600-0116 REV A		
THIRD ANGLE PROJECTION 	DO NOT SCALE THIS DRAWING	SCALE: NONE	SHEET 1 OF 1	