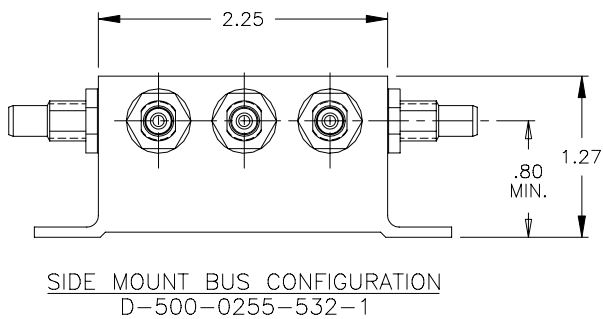
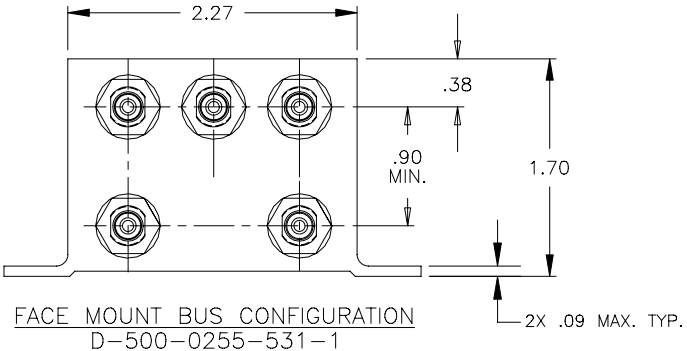
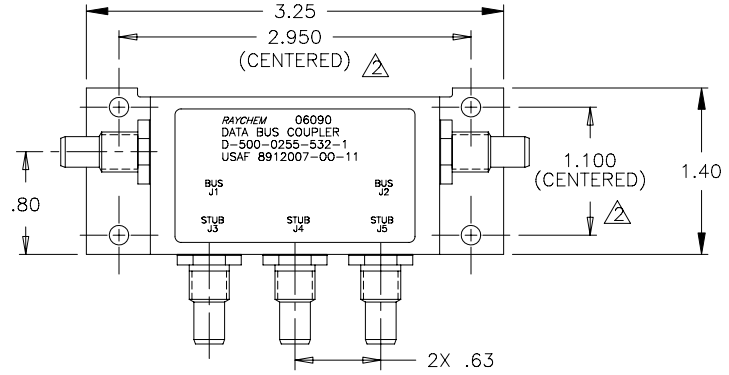
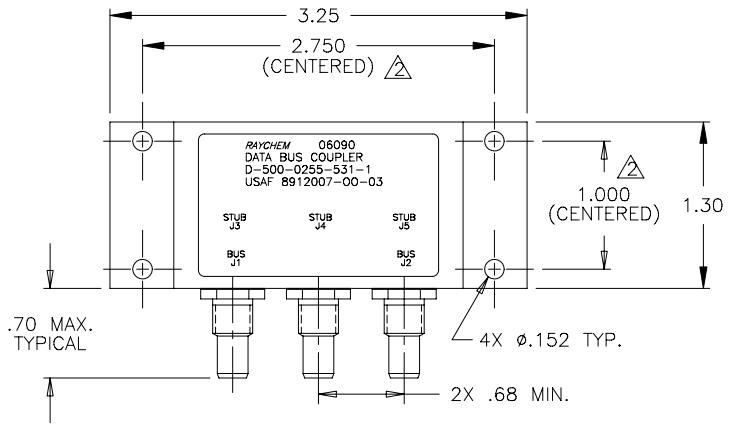


REVISIONS			
LTR	DESCRIPTION	DATE	APPROVED
N/C	RELEASED PER ECN T-16882	93JAN15	Z.TEMAN
A	REVISED PER ECN T-19869		



- 3 WEIGHT: D-500-0255-531-1 155 grams MAX.  
D-500-0255-532-1 126 grams MAX.
- 2 HOLE PATTERN MACHINED SYMMETRIC TO MOUNTING FLANGE.
- 1. ORIENTATION OF CONNECTORS IS APPROXIMATELY AS SHOWN.

NOTES:

UNLESS OTHERWISE SPECIFIED DIMENSIONS ARE IN INCHES. AND TOLERANCES ARE:  DEC .XXX ±.010 DEC .XX ±.03 ANGLE ±—	DRAWN J.B.KAY	DATE 91NOV04
	CHECKED	DATE
	APPROVED Z.TEMAN	DATE 92JAN15
	MATERIAL	THIRD ANGLE PROJECTION
FINISH	CAD NAME 009152-1.DWG	
PCN —	PROJECT —	

--	--

		Tyco Electronics Corporation 300 Constitution Drive Menlo Park, CA. 94025 U.S.A.			
TITLE 3 STUB DATA BUS COUPLER WITH THREADED TRIAXIAL CONNECTORS					
SIZE A	CODE IDENT. NO. 06090	DWG. NO. D-500-0255-531/532-1	REV A		
SCALE: NONE		DO NOT SCALE THIS DRAWING		SHEET 1 OF 2	

If this document is printed it becomes uncontrolled.  
Check for the latest revision.

SPECIFICATION CONTROL DRAWING

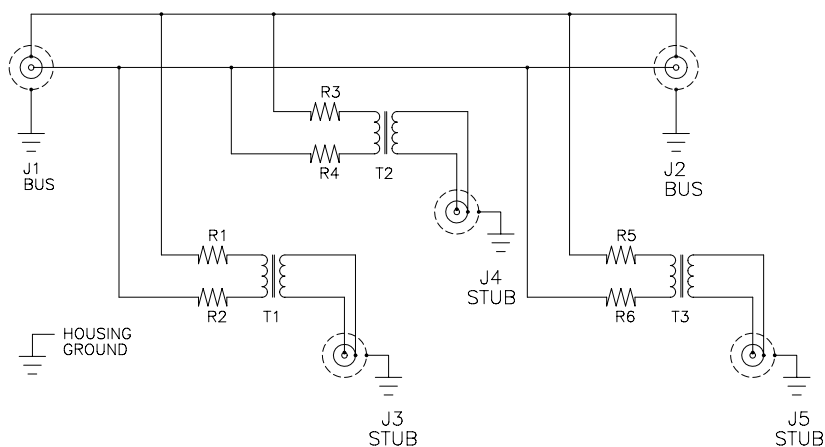
1.0 INTERMATEABILITY

BUS JACKS J1 AND J2	MATING PLUG
DK-621-0412-P (8340711-00-01)	DK-621-0411-S (8340709-00-02)

STUB JACK J3, J4 AND J5	MATING PLUG
DK-621-0412-S (8340711-00-02)	DK-621-0411-P (8340709-00-01)

2.0 PERFORMANCE

- 2.1 THIS COUPLER IS DESIGNED TO MEET THE APPLICABLE FUNCTIONAL REQUIREMENT OF RAYCHEM SPECIFICATION D-6021 AND USAF 8912007.
- 2.2 THE COUPLER SHALL OPERATE UNDER ANY OF THE ENVIRONMENTAL SERVICE CONDITIONS AS SPECIFIED IN MIL-E-5400, CLASS  $\nabla$  UPGRADED TO 125°C CONTINUOUS OPERATION.
- 2.3 ALTITUDE: SEA LEVEL TO 75,000 FEET

SCHEMATIC DIAGRAM

If this document is printed it becomes uncontrolled.  
Check for the latest revision.

DRAWN	J. B. KAY	DATE	91NOV04	SIZE	CODE IDENT. NO.	DWG. NO.	REV	
				A	06090	D-500-0255-531/532-1	A	
CAD NAME				009152-2.DWG		SCALE: NONE	DO NOT SCALE THIS DRAWING	SHEET 2 OF 2