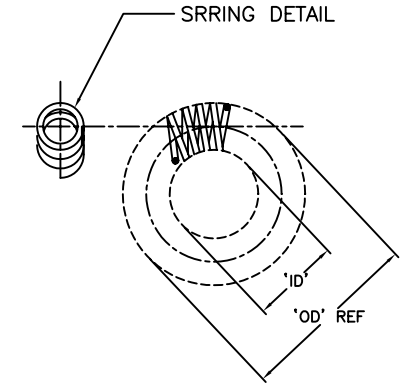
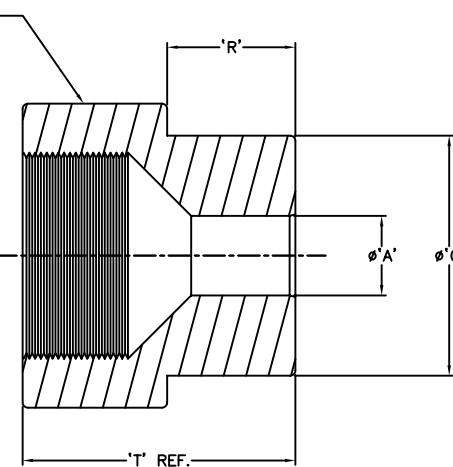
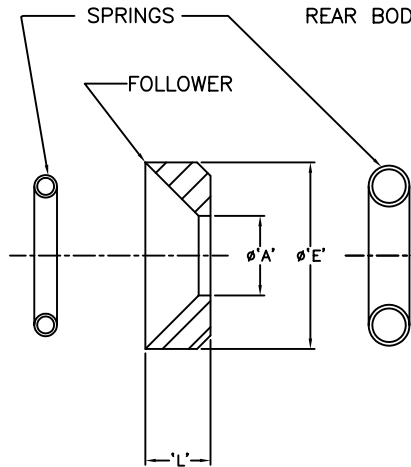
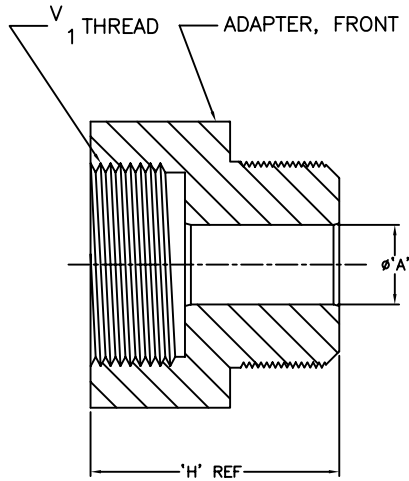


REVISIONS			
LTR	DESCRIPTION	DATE	APPROVED
NC	RELEASED TO DOCUMENT CONTROL PER DCR #SG97146	12/12/97	GMR



ADAPTER, FRONT			
ADAPTER SIZE	'A' DIA +.015 -.000	'H' REF	V1 THREAD FEMALE
1A	.406	1.22	7/8-12UN-2B
2A			1.0-12UNF-2B
2B	.515	1.22	1.0-12UNF-2B
3A			1 1/8-12UNF-2B
4A	.640	1.22	1 1/4-12UNF-2B
4B	.750	1.22	1 1/4-12UNF-2B
5A	.843	1.97	2.0-12UN-2B
5B	.953	1.97	2.0-12UN-2B
5C	1.062	1.97	2.0-12UN-2B
5D	1.172	1.97	2.0-12UN-2B
6A		2.16	2 1/2-12UN-2B
6B	1.265	2.16	2 1/2-12UN-2B
6C	1.406	2.16	2 1/2-12UN-2B
7A	1.515	2.41	2 3/4-12UN-2B
7B	1.625	2.41	2 3/4-12UN-2B
8A	1.750	2.72	3 1/4-12UN-2B
8B	1.875	2.72	3 1/4-12UN-2B
8C	2.062	2.72	3 1/4-12UN-2B
9A	2.187	2.78	4.0-12UN-2B
9B	2.312	2.78	4.0-12UN-2B
9C	2.500	2.78	4.0-12UN-2B

FOLLOWER			
ADAPTER SIZE	'A' DIA +.015 -.000	'E' DIA +.005 -.030	'L'
1A	.406	.800	.250
2A			
2B	.515	.870	.250
3A			
4A	.640	.990	.250
4B	.750	1.280	.375
5A	.843	1.406	.375
5B	.953	1.531	.375
5C	1.062	1.593	.375
5D	1.172	1.718	.375
6A			
6B	1.265	1.843	.375
6C	1.406	1.968	.375
7A	1.515	2.093	.375
7B	1.625	2.156	.375
8A	1.750	2.406	.437
8B	1.875	2.593	.437
8C	2.062	2.740	.437
9A	2.187	2.906	.437
9B	2.312	2.990	.437
9C	2.500	3.156	.437

REAR BODY				
ADAPTER SIZE	'A' DIA +.015 -.000	'C' DIA	'R'	'T' REF
1A	.406	1.100	.550	1.40
2A				
2B	.515	1.100	.550	1.40
3A				
4A	.640	1.100	.550	1.40
4B	.750	1.512	.796	1.89
5A	.843	1.512	.796	1.89
5B	.953	1.512	.796	1.89
5C	1.062	1.512	.796	1.89
5D	1.172	2.210	1.093	2.20
6A				
6B	1.265	2.210	1.093	2.20
6C	1.406	2.210	1.093	2.20
7A	1.515	2.210	1.093	2.20
7B	1.625	3.572	1.625	2.72
8A	1.750	3.572	1.625	2.78
8B	1.875	3.572	1.625	2.78
8C	2.062	3.572	1.625	2.78
9A	2.187	3.572	1.625	2.78
9B	2.312	3.572	1.625	2.78
9C	2.500	3.572	1.625	2.78

SPRINGS		
SPRING SIZE	'ID' ±.045	'OD' REF
A	.437	.780
B	.546	.890
C	.656	1.000
D	.781	1.310
F	.875	1.405
G	.984	1.515
J	1.093	1.625
K	1.203	1.735
L	1.297	1.830
M	1.437	1.970
N	1.546	2.075
P	1.655	2.185
R	1.781	2.440
S	1.906	2.565
T	2.093	2.755
V	2.218	2.890
W	2.343	3.000
X	2.530	3.190

NOTES:

- CABLE SHIELD GROUNDING ADAPTERS PROVIDE 360° GROUNDING TO OVERALL SHIELDED CABLES. THESE ARE FOR USED AT THE ENTRANCE TO STUFFING TUBES AND ARE AVAILABLE IN A VARIETY OF SIZES TO FIT VARIOUS THREADED ASSEMBLIES.

If this document is printed it becomes uncontrolled.  
Check for the latest revision.

SPECIFICATION CONTROL DRAWING

UNLESS OTHERWISE SPECIFIED DIMENSIONS ARE IN INCHES, AND TOLERANCES ARE:		DESIGN <i>G. BOSTIANO</i>	DATE <i>97Dec9</i>	<b>Raychem</b> <small>RAYCHEM CORPORATION 200 CANTONVILLE DRIVE MILBURN PARK, CALIFORNIA 94020</small>
		CHECKED	DATE	
DEC .XXX ±.030 DEC .XX ±.06 ANGLE ± 2°		APPROVED <i>H.C. GAY</i>	DATE <i>97Dec18</i>	TITLE CABLE SHIELD GROUNDING ADAPTER WITH FEMALE THREADS
MATERIAL	THIRD ANGLE PROJECTION	PROJECT <i>CSGASC02</i>	SCALE NONE	DWG. NO. <i>CSGA-XX</i>
FINISH		PROJECT FOR	SCALE	REV NC
			SCALE NONE	DO NOT SCALE THIS DRAWING   SHEET 1 OF 1

CSGA-XX