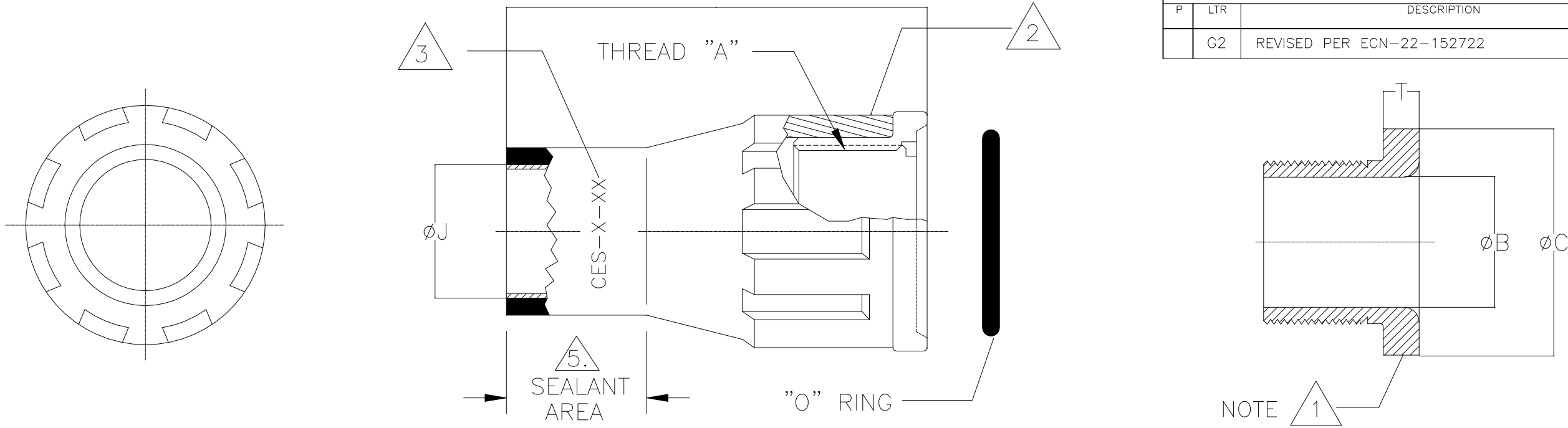


P	LTR	DESCRIPTION	DATE	DWN	APVD
	G2	REVISED PER ECN-22-152722	09MAY2022	RB	MT



PART DESCRIPTION	"A" THREAD	øB ±.02	øC REF	øJ		P REF REC	T REF	PANEL THK <sup>4</sup>
				MIN EXP	MAX REC			
CES-1-XX	1-12 UNF	.75 [19,05]	1.40 [35,56]	.50 [12,7]	.16 [4,07]	2.45 [62,23]	.21 [5,34]	1/4 [6,35]
CES-2-XX	1-12 UNF	.75 [19,05]	1.40 [35,56]	.75 [19,05]	.25 [6,35]	2.45 [62,23]	.21 [5,34]	1/4 [6,35]
CES-3-XX	1 3/8-12 UNF	1.10 [27,94]	1.90 [48,26]	1.20 [30,48]	.50 [12,7]	3.55 [90,17]	.31 [7,88]	3/8 [9,65]
CES-4-XX	2-8 UN	1.56 [39,62]	2.70 [68,58]	1.60 [40,64]	.75 [19,05]	3.85 [97,79]	.31 [7,88]	1/2 [12,7]
CES-5-XX	3 3/8-8 UN	2.90 [73,66]	4.10 [104,14]	2.75 [70,48]	1.38 [35,06]	7.50 [190,50]	.31 [7,88]	3/4 [19,05]

NOTES:

- 1. THE LAST TWO "X's" IN THE PART NUMBER DESIGNATE MATERIAL AS SHOWN BELOW:  
 "AL": ALUMINUM 6061-T6 WITH FINISH OF HARD ANODIZE PER MIL-A-8625F, TYPE III, CLASS 2, DYED BLACK.  
 "SS": STAINLESS STEEL TYPE 316, WITH FINISH OF PASSIVATE PER ASTM-A967.  
 FOR STANDARD BLACK NYLON MATERIAL, OMIT THE LAST TWO "X's" IN THE PART NO.
- 2. HEAT SHRINKABLE BOOT MATERIAL IN ACCORDANCE WITH -3 POLYOLEFIN
- 3. PART TO BE MARKED AS SHOWN, REPLACE "X's" WITH APPROPRIATE CHARACTERS (e.g. CES-3-AL).
- 4. THIS PART IS DESIGNED TO FIT THROUGH A PANEL OR BULKHEAD WITH A MAXIMUM WALL THICKNESS AS INDICATED IN TABLE.
- 5. FACTORY APPLIED HOT MELT ADHESIVE IS STANDARD.
- 6. PRODUCT SPECIFICATION : RT-1335 (INCLUDES RECOMMENDED INSTALLATION TORQUE VALUES)

THIS DRAWING IS A CONTROLLED DOCUMENT.		DWN UNGUYEN 10/27/08	<b>STE</b> TE Connectivity	
		CHK GC 05/09/22		
		APVD MT 05/09/22	NAME	
		PRODUCT SPEC	CABLE ENTRY SEALS STANDARD	
		APPLICATION SPEC		
		WEIGHT 0	SIZE A3	CAGE CODE 06090
		CUSTOMER DRAWING	DRAWING NO	RESTRICTED TO
			G-CES-X-XX	
		SCALE DNS	SHEET 1 OF 1	REV G2