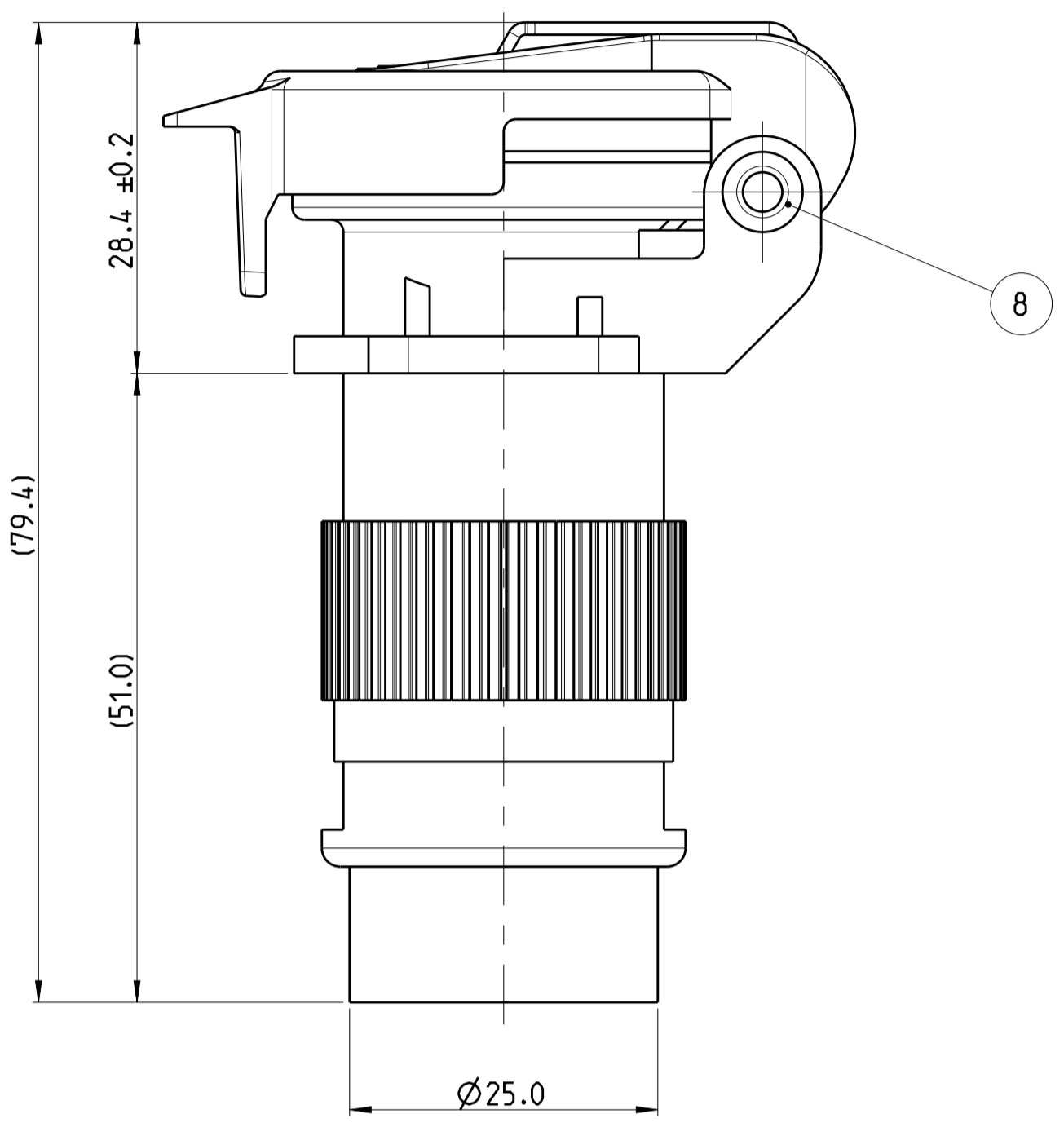
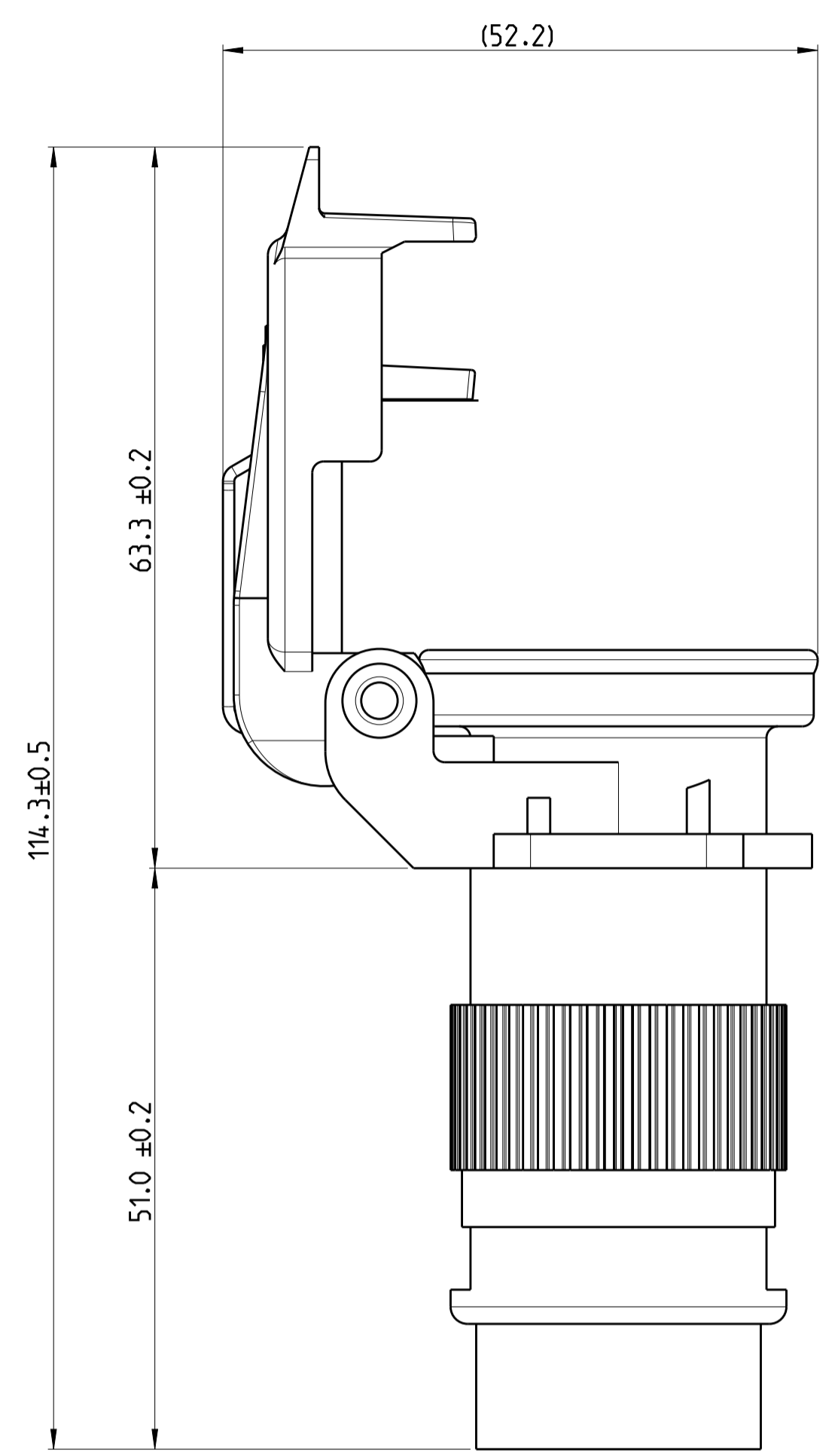
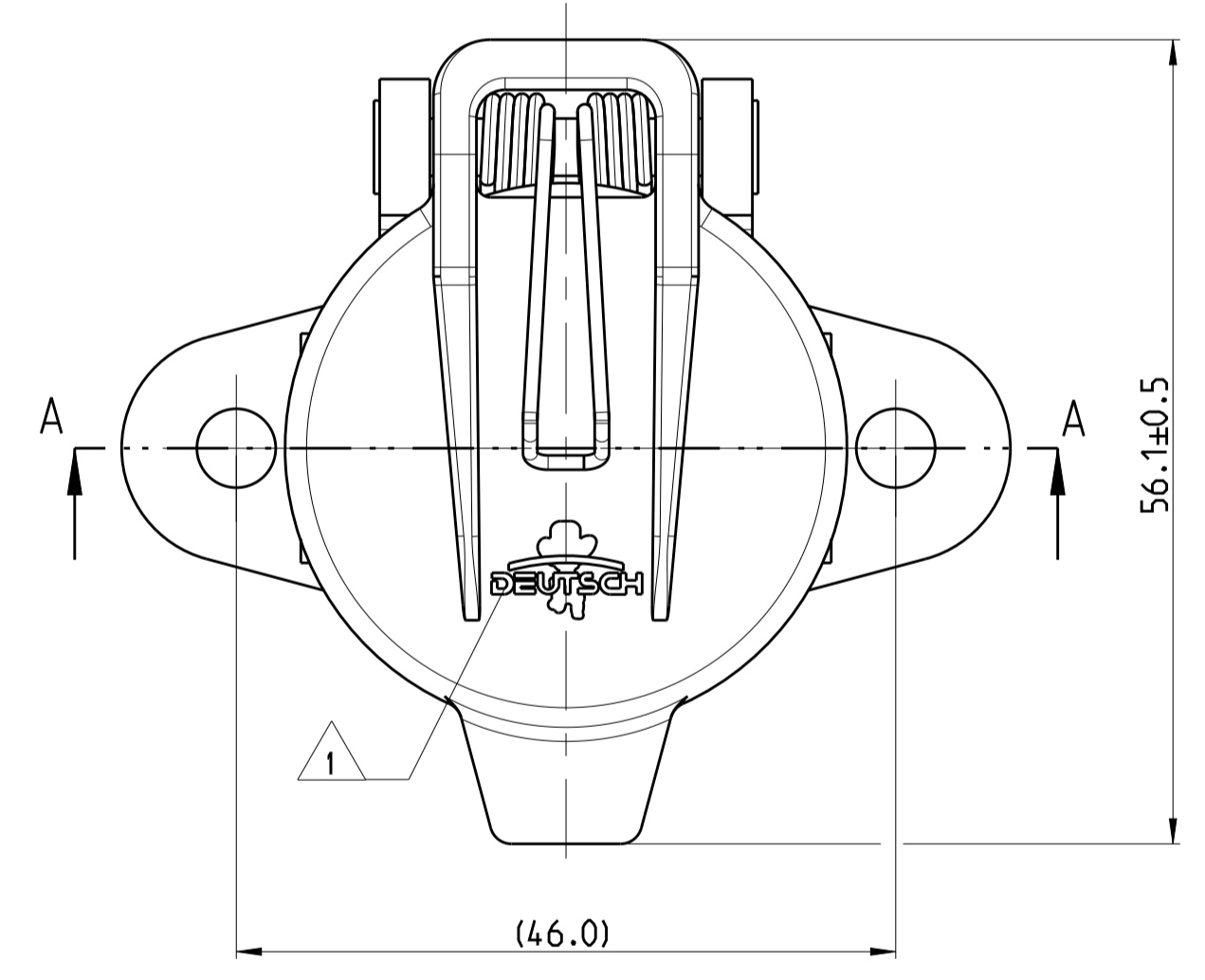
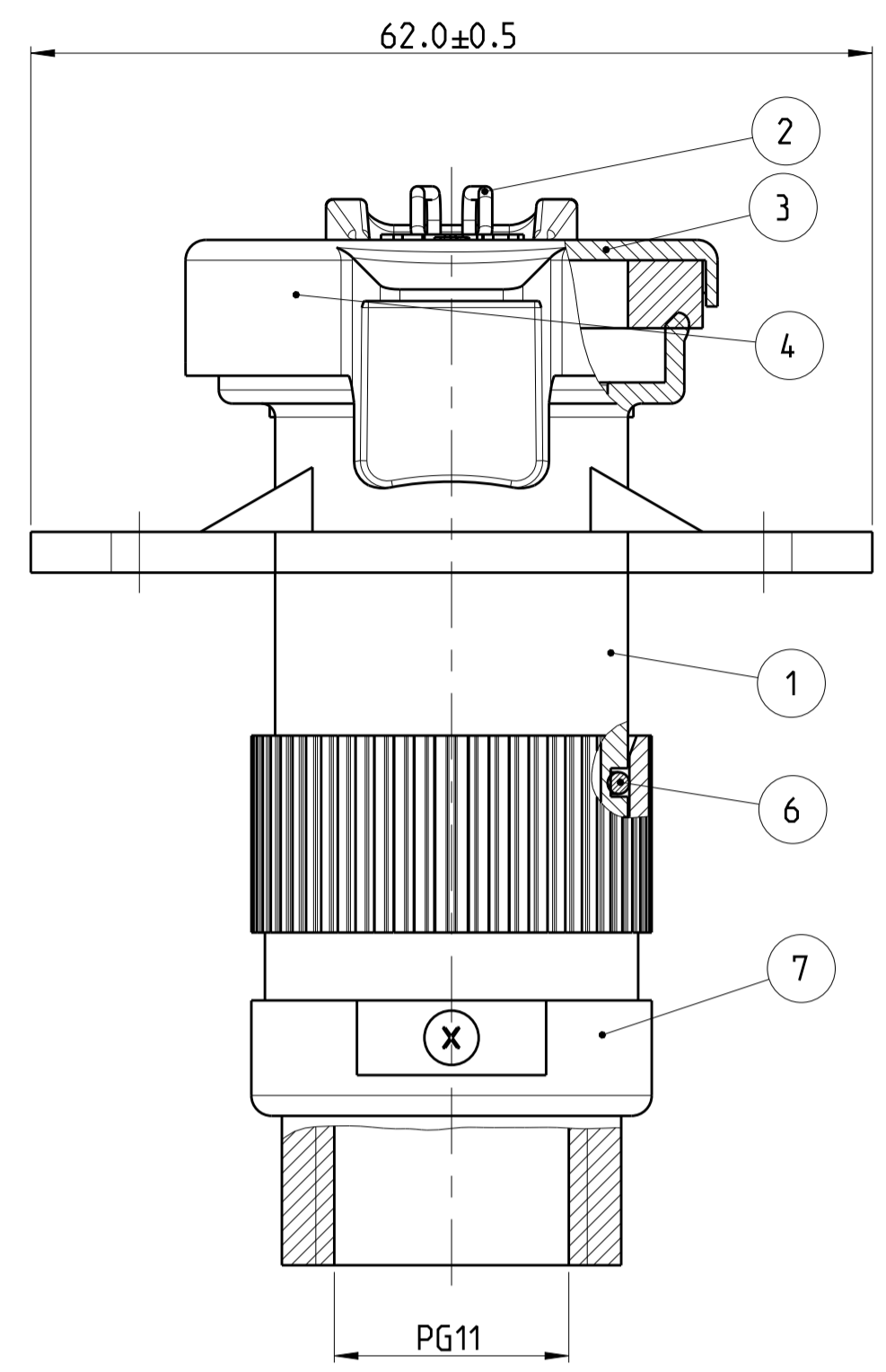


OPEN CONDITION:
Geöffnet:



SECTION A-A
Schnitt

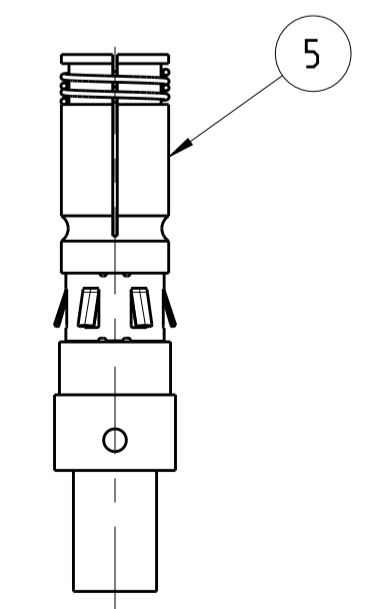
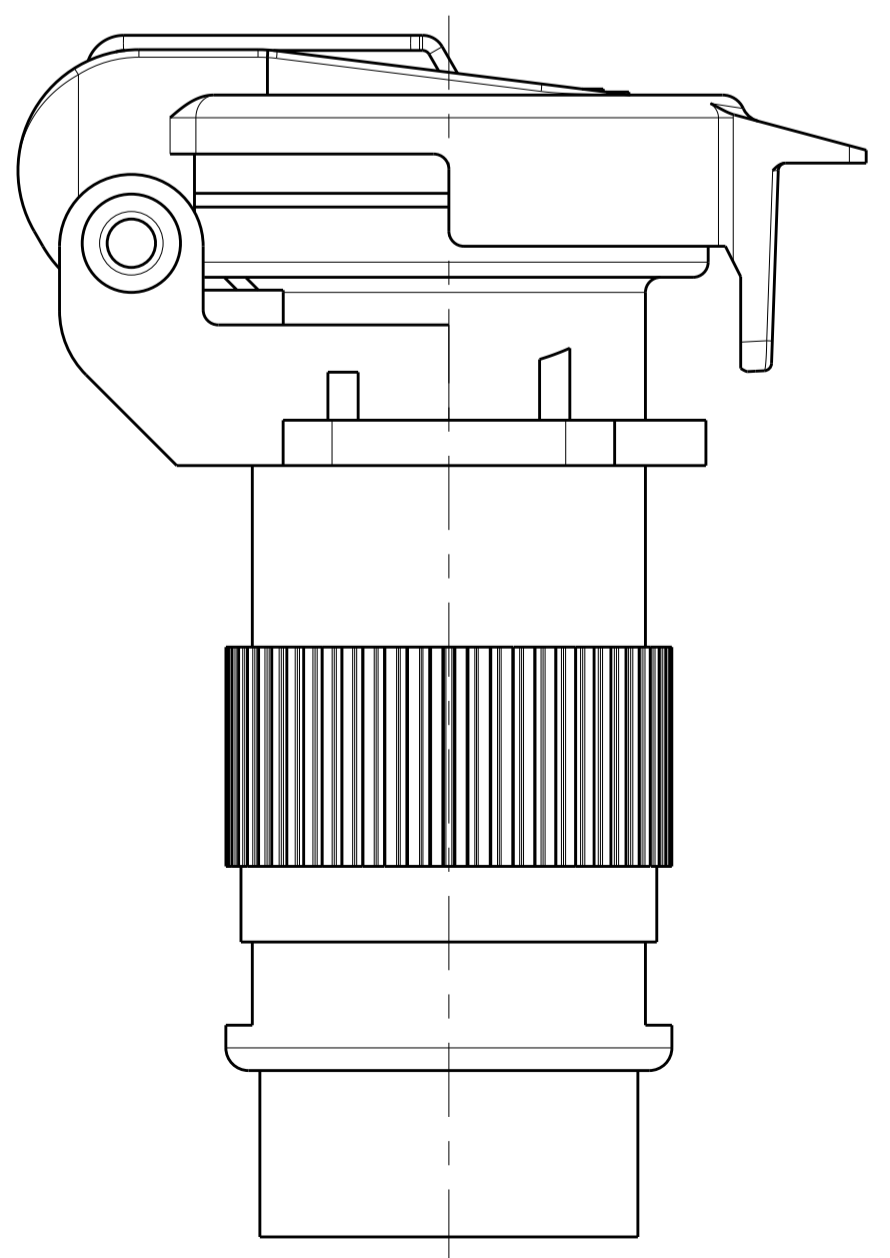


REVISIONS				
P.	LTR.	DESCRIPTION	DATE	DRW. APVD.
A		NEW DRAWING	28JULY2015	SH CE
B		COVER DESIGN MODIFICATION	22JUN2016	PV CF
C		REVISED PER PCN: E-17-004350	28MAR2017	CM GCR
C1		PRODUCT SPECIFICATION AND BACKSHELL THREAD SIZE DETAILS ADDED	02JAN2019	SS GCR

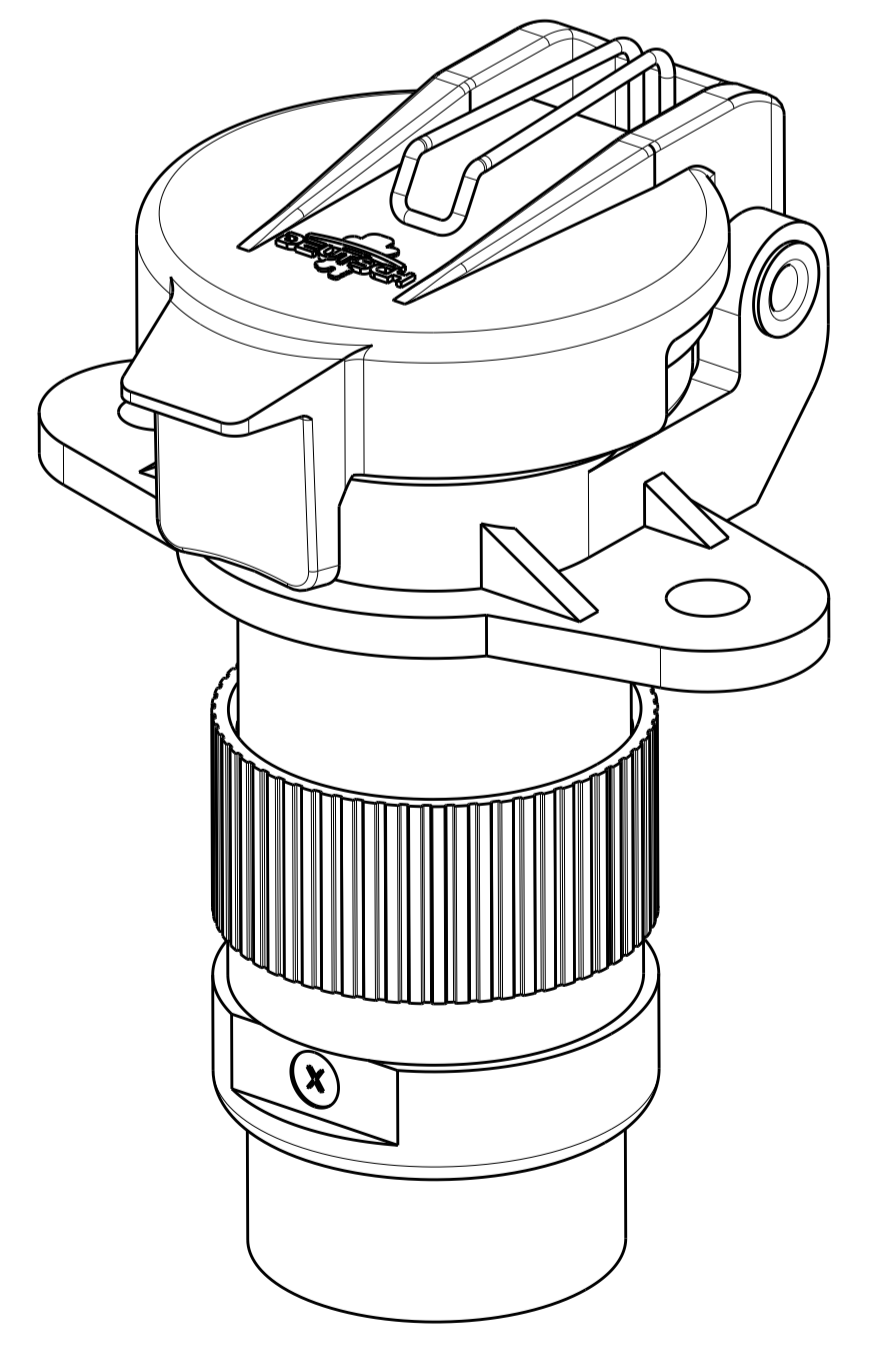
NOTES

- Bemerkungen
- DEUTSCH LOGO. Deutsch Logo.
 - DELIVERY CONDITION WITH SOCKET CONTACTS. DARS24263-000A3 (6 mm²) Lieferzustand mit Buchsenkontakte DARS24263-000A3 (6 mm²)
 - ALL SYMMETRIC DIMENSIONS $\frac{0.1}{0.1}$ Alle Symmetriemaße
 - SUITABLE COUNTERPART SEE DRAWING: CAR2PC68 Passender Gegenstecker siehe Zeichnung: CAR2PC68
 - MALFUNCTION CAUSED BY LACQUER IS NOT COVERED BY TE CONNECTIVITY WARRANTY Funktionsbeeinträchtigung durch Lackieren liegt nicht im Einfluss und Gewährleistungsumfang von TE connectivity.
 - FOR 3D MODEL (CUSTOMER VIEW MODEL) PLEASE REFER CAR2SC68WS (RECEPTACLE) AND DARS24263-000A3 (6 mm² SOCKET) Für 3D Modell (Customer View Model) siehe CAR2SC68WS (Steckdose) und DARS24263-000A3 (6 mm² Buchsenkontakt)

2 DELIVERY CONDITION:
Lieferzustand:



2x



ITEM NO	DESCRIPTION	COLOR	MATERIAL
1	2 POLE RECEPTACLE HOUSING	BLACK	PA6 GF-15
2	2 pos. Steckdosengehäuse	schwarz	SS 304
3	SPRING	BLACK	PA6 GF-15
4	COVER SEAL	BLACK	CuZn39PB2
5	SOCKET CONTACT'S 6mm ²	BLACK	NBR
6	SOCKET CONTACT'S 6mm ²	BLACK	PA6 GF-30
7	BACK SHELL	BLACK	COPPER ALLOY
8	RIVET	BLACK	

THIS DRAWING IS A CONTROLLED DOCUMENT. DIMENSIONING AND TOLERANCING PER GPS (ISO STANDARDS)		DRW: PRAVEENA, V 28JULY2015	CHK: C. FINZER 29JULY2015
DIMENSIONS: mm	TOLERANCES UNLESS OTHERWISE SPECIFIED: ACC. TO ISO 8015	APVD: F. EBERWEIN 29JULY2015	NAME: 2POS. RECEPTACLE
MATERIAL: SEE TABLE		PRODUCT SPEC: 108-94602	APPLICATION SPEC: -
FINISH: -		WEIGHT: 51.1 g	SIZE: A1
CUSTOMER DRAWING		SCALE: 2:1	SHEET: 1 OF 1

TE Connectivity		RESTRICTED TO
ITEM NO: CAR2SC68	DESCRIPTION: 2Pos. Steckdose	SCALE: 2:1
REV: C	QTY: 1	SHEET: 1 OF 1
QUANTITY: 1	ITEM NO ASSY: 1	REV: C1