

BAND (SUPPLIED FLAT) (3)(9)
(SEE PART NUMBER BREAKDOWN FOR OPTIONS)

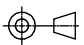


CODE 54 - BANDING BACKSHELL

BNX54AB00-1608 -S

SERIES _____
 BNX - BAND STRAP NOT INCLUDED
 BND - BAND STRAP INCLUDED
 (SEE BAND TERMINATION CONFIGURATION)
 CONNECTOR INTERFACE _____
 MATERIAL _____
 REFER TO CH00-0250-016
 FINISH _____
 REFER TO CH00-0250-016
 ANGLE _____
 ORDER NUMBER (TABLE 1) _____
 ENTRY SIZE (TABLE 2) _____
 BAND TERMINATION CONFIGURATION (3)(9) _____
 V - ONE STEP STANDARD BAND
 W - ONE STEP MICROBAND
 U - TWO STEP STANDARD BAND
 FOR BNX, LEAVE BLANK
 OPTION FIELD SEPARATOR _____
 MODIFICATION CODE _____
 REFER TO CH00-0250-016 (2)

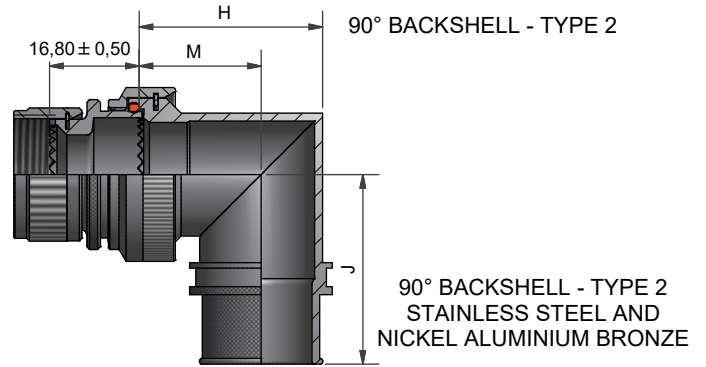
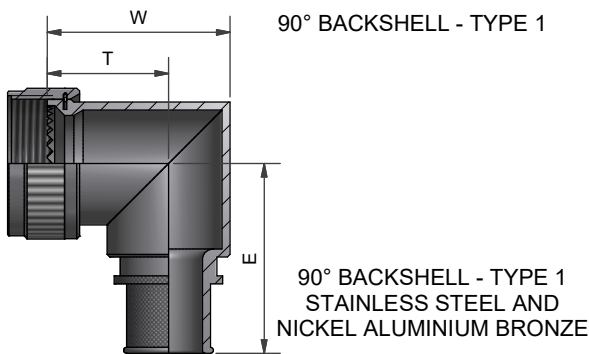
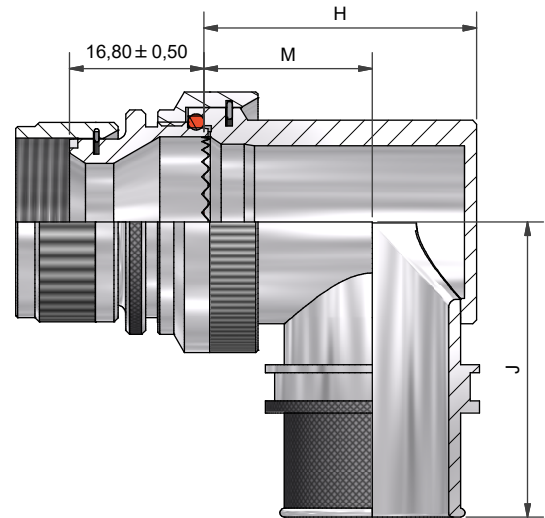
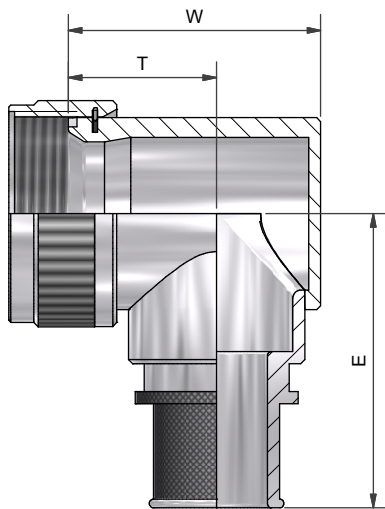
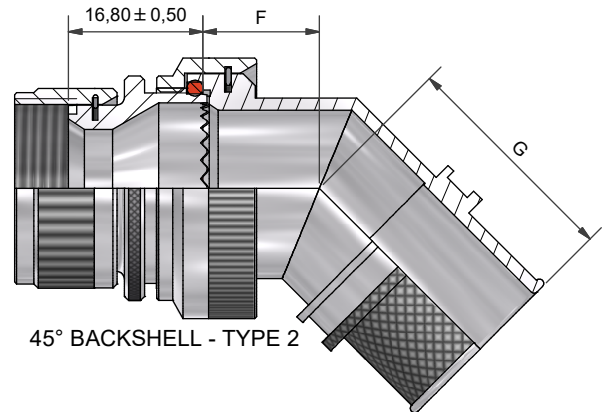
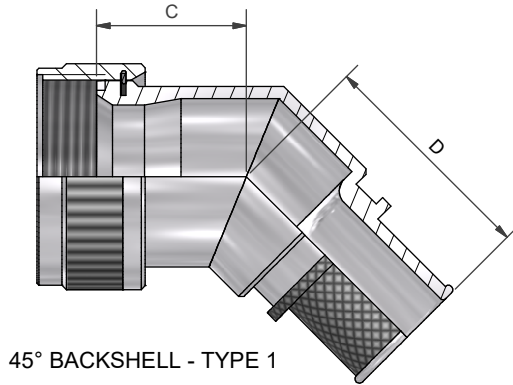
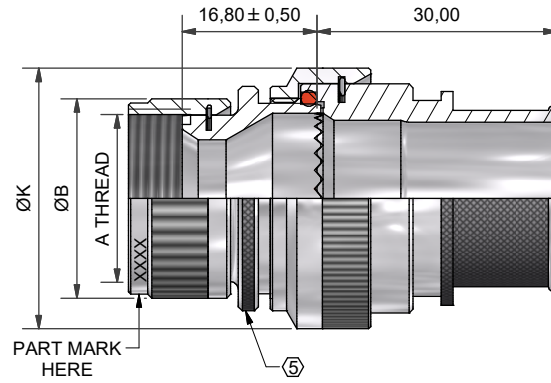
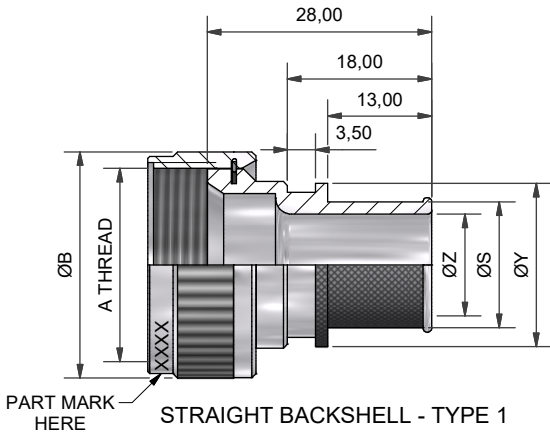
NOTES:

1. THIS PRODUCT IS DESIGNED TO TERMINATE A BRAIDED CABLE SHIELD BY MEANS OF A BAND STRAP AND A HEAT SHRINKABLE LIPPED BOOT TO A CONNECTOR.
- (2) FOR ADDITIONAL DIMENSIONS, ORDERING INFORMATION AND MODIFICATIONS, SEE CH00-0250-016.
- (3) SEE DRAWING BND-XXXXX FOR BAND STRAP OPTIONS, DIMENSIONS AND INFORMATION.
4. BACKSHELL TO BE PERMANENTLY MARKED WITH CODE IDENTIFICATION NUMBER AND FULL BASIC PART NUMBER (e.g. 06090-BND54AB00-1608). BACKSHELL TO BE MARKED WITH "BND" EVEN IF NO BAND IS ORDERED. THE BAND TERMINATION CONFIGURATION CODE IS FOR ORDERING INFORMATION ONLY AND IS NOT A PART MARKING REQUIREMENT.
- (5) ALL ENTRY SIZES ARE SHOWN IN TABLE 2. MAXIMUM ENTRY SIZES ARE SHOWN IN TABLE 1. FOR LARGER ENTRY SIZES, A 2 PIECE BACKSHELL ASSMEBLY (TYPE 2) IS SUPPLIED. SEE CH00-0250-016 FOR FURTHER DETAILS.
- (6) BACKSHELL MATES TO MIL-DTL-81703, SERIES III, MS3424, MS3446, MS3464, MS3467, MS3468.
- (7) BACKSHELL MATES TO MIL-C-5015G, MS3400 SERIES, CLASS D, E, K, L, U & W, MS3400, MS3401, MS3404, MS3406 MS3424, MS3446, MS3464, MS3467, MS3468, MS3450, MS3451, MS3454, MS3456, MS3470, MS3471, MS3472, MS3474, MS3475, MS3476. MIL-C-83723, SERIES II, CLASS A & L. MIL-C-83723, SERIES I & II, CLASS A, G, K, R & S: M83723/1, /2, /3, /4, /5, /6, /7, /8, /13, /14, /36, /37, /38, /39, /40, /41, /42, /43, /48, /49, /65, /66, /67, /68, /69, /70, /71, /72, /73, /74, /75, /76, /77, /78, /82, /83, /84, /85, /86, /87, /91, /92, /95, /97, /98, (MS3155 CONTROLLED INTERFACE).
- (8) THESE DIMENSIONS APPLY IF A SELF-LOCKING COUPLING NUT IS USED.
- (9) V AND U BANDS ARE SUITABLE FOR ENTRY SIZES 03-24, W IS SUITABLE FOR ENTRY SIZES 03-12 ONLY. CONTACT FACTORY FOR BAND OPTIONS ON LARGER ENTRY SIZES.

DRAWN	K.WINCZURA	DATE 17/09/2015	 3RD ANGLE PROJECTION NOT TO SCALE	TITLE: BANDING BACKSHELL	 Polamco 	
CHECKED		17/09/2015				
APPROVED	K.SHEPPARD	17/09/2015				UNLESS OTHERWISE SPECIFIED ALL DIMENSIONS IN MILLIMETRES GENERAL TOL LINEAR +/-0.25MM ANGULAR +/- 1°
APPROVED	H.SMITH	17/09/2015				
REVISIONS				ASSY USED ON:		
LTR	DESCRIPTION	DATE	APPROVED	MIL-DTL-26482 SERIES II / MIL-DTL-83723 SERIES I & III		
E	REVISED PER ECO-15-03261	17/09/2015	H.SMITH			
F	REVISED PER ECO-15-016545	17/11/2015	H.SMITH			
TE CAGE CODE: 06090 POLAMCO/TE CAGE CODE: U5792				TE CONNECTIVITY - POLAMCO LTD RESERVES THE RIGHT TO AMEND THIS DRAWING AND THE INFORMATION SET FORTH HEREON AT ANY TIME. USERS SHOULD INDEPENDENTLY EVALUATE THE SUITABILITY OF THE PRODUCT FOR THEIR APPLICATION.	DRAWING NO: BND54A	
				DRAWING REV: F	SHT 1	



IF MAX ENTRY IS EXCEEDED BACKSHELL WILL BE SUPPLIED AS TYPE 2



DRAWN	K.WINCZURA	DATE	17/09/2015
CHECKED		DATE	17/09/2015
APPROVED	K.SHEPPARD	DATE	17/09/2015
APPROVED	H.SMITH	DATE	17/09/2015
REVISIONS			
LTR	DESCRIPTION	DATE	APPROVED
E	REVISED PER ECO-15-03261	17/09/2015	H.SMITH
F	REVISED PER ECO-15-016545	17/11/2015	H.SMITH

3RD ANGLE PROJECTION NOT TO SCALE

UNLESS OTHERWISE SPECIFIED ALL DIMENSIONS IN MILLIMETRES
GENERAL TOL
LINEAR +/-0.25MM
ANGULAR +/- 1°

TITLE:
BANDING BACKSHELL

ASSY USED ON:
MIL-DTL-26482 SERIES II / MIL-DTL-83723 SERIES I & III



TE CAGE CODE: 06090
POLAMCO/TE CAGE CODE: U5792

TE CONNECTIVITY - POLAMCO LTD RESERVES THE RIGHT TO AMEND THIS DRAWING AND THE INFORMATION SET FORTH HEREON AT ANY TIME. USERS SHOULD INDEPENDENTLY EVALUATE THE SUITABILITY OF THE PRODUCT FOR THEIR APPLICATION.

DRAWING NO: BND54A	DRAWING REV: F	SHT 2
------------------------------	--------------------------	-----------------

MODIFICATION S (SELF-LOCKING COUPLING NUT)

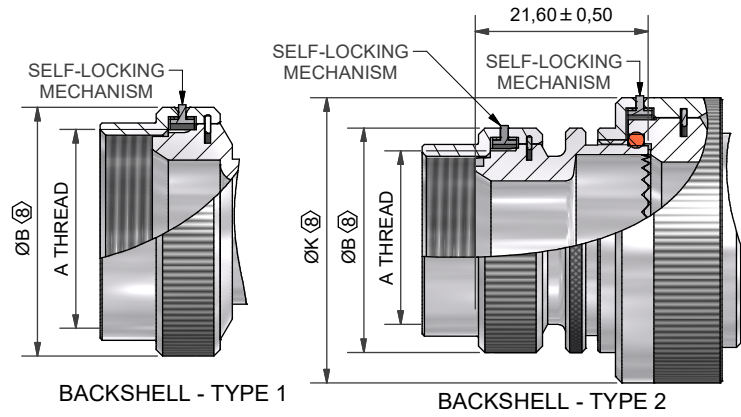


TABLE 1

ORDER NO.	SHELL SIZE		A THREAD	ØB MAX	ØB MAX (Ø)	MAX ENTRY	C ±0,5	D ±0,5	W ±0,5	T ±0,5	E ±0,5	THESE DIMENSIONS APPLY IF BACKSHELL IS STAINLESS STEEL OR NICKEL ALUMINIUM BRONZE		
	(6)	(7)										W ±0,5	T ±0,5	E ±0,5
08		8 & 8S	1/2-20 UNF	15,6	18,0	04	16,6	25,1	24,5	17,5	30,0	22,4	17,5	29,0
10		10, 10S, 10SL	5/8-24 UNEF	18,6	21,0	06	16,8	26,2	26,5	17,8	32,0	25,0	18,8	30,3
12	7	12 & 12S	3/4-20 UNEF	21,7	25,0	08	17,3	26,6	29,0	18,7	33,5	28,3	20,4	31,9
14	12	14 & 14S	7/8-20 UNEF	24,9	28,0	09	18,1	27,5	30,5	19,0	35,4	30,4	21,5	33,0
16	19	16 & 16S	1-20 UNEF	28,2	31,0	11	19,0	28,3	34,0	21,0	36,7	33,5	23,0	34,5
18	27	18	1 1/16-18 UNEF	30,9	34,0	12	19,2	28,8	37,0	23,5	36,7	35,5	24,0	35,5
20	37	20	1 3/16-18 UNEF	34,1	36,5	14	20,1	29,7	42,0	27,0	38,3	38,8	25,7	37,2
22		22	1 5/16-18 UNEF	37,3	39,8	16	20,3	30,0	44,0	27,0	40,0	41,9	27,2	38,7
24		24	1 7/16-18 UNEF	40,4	42,0	18	21,8	30,9	45,0	27,0	41,6	44,8	28,7	40,2
28		28	1 3/4-18UNS	50,0	49,8	22	23,3	31,6	54,2	31,4	45,3	50,7	31,6	43,2
32		32	2-18 UNS	56,3	57,2	26	25,0	33,2	60,9	36,4	48,1	60,0	33,5	46,0
36		36	2 1/4-16 UN	62,7	63,6	28	26,2	34,4	67,2	38,0	51,3	65,5	36,0	51,3
40		40	2 1/2-16 UN	69,0	70,0	32	28,6	35,7	73,2	41,0	54,3	72,0	39,3	54,3
44		44	2 3/4-16 UN	75,4	75,4	34	30,1	37,3	79,5	44,1	57,5	75,5	40,8	57,5
48		48	3-16UN	81,7	81,7	34	31,3	38,5	85,8	47,2	60,6	75,5	40,8	60,6
61	61		1 1/2-18 UNEF	42,0	43,6	18	22,1	30,9	47,8	28,0	43,0	48,3	27,0	43,1

TABLE 2

ENTRY SIZE	ØZ MIN	ØS MAX	ØY MAX	ØK MAX	ØK MAX (Ø)	F ±0,5	G ±0,5	H ±0,5	M ±0,5	J ±0,5	THESE DIMENSIONS APPLY IF BACKSHELL IS STAINLESS STEEL OR NICKEL ALUMINIUM BRONZE			
											H ±0,5	M ±0,5	J ±0,5	
03	4,7	7,8	14,0	NA	NA	NA	NA	NA	NA	NA	NA	NA	NA	NA
04	6,3	9,4	14,0	NA	NA	NA	NA	NA	NA	NA	NA	NA	NA	NA
05	7,9	11,0	15,5	21,0	24,6	12,5	26,2	24,0	15,5	32,0	24,3	17,2	31,2	31,2
06	9,5	12,5	17,2	21,0	24,6	12,5	26,2	24,0	15,5	32,0	24,3	17,2	31,2	31,2
07	11,1	14,1	18,7	21,0	24,6	12,5	26,2	24,0	15,5	32,0	24,3	17,2	31,2	31,2
08	12,7	15,7	20,3	24,5	28,3	13,1	26,6	27,0	17,0	33,5	28,3	19,4	33,0	33,0
09	14,2	17,3	21,9	24,5	28,3	13,1	26,6	27,0	17,0	33,5	28,3	19,4	33,0	33,0
10	15,8	18,8	23,5	29,0	32,4	13,5	27,5	31,0	19,5	35,4	31,1	21,0	34,9	34,9
11	17,4	20,5	25,1	32,5	35,6	14,5	28,3	34,0	21,0	36,7	34,2	22,8	35,5	35,5
12	19,0	22,0	26,7	32,5	35,6	14,5	28,3	34,0	21,0	36,7	34,2	22,8	35,5	35,5
13	20,6	23,6	28,3	35,5	38,5	15,5	28,8	35,0	20,0	38,3	38,5	25,3	37,2	37,2
14	22,2	25,2	29,9	35,5	38,5	15,5	28,8	35,0	20,0	38,3	38,5	25,3	37,2	37,2
15	23,8	26,8	31,5	37,0	41,7	16,1	29,7	38,0	21,5	40,0	40,7	26,1	38,7	38,7
16	25,4	28,4	33,1	37,0	41,7	16,1	29,7	38,0	21,5	40,0	40,7	26,1	38,7	38,7
18	28,6	30,0	36,3	40,0	43,9	16,5	30,0	42,0	24,0	41,6	43,7	27,6	40,2	40,2
20	31,8	34,8	39,5	43,5	47,0	17,0	30,9	45,0	25,5	43,0	46,4	29,1	44,9	44,9
22	35,0	38,0	42,7	48,5	50,0	18,5	31,3	54,5	31,0	45,1	50,0	31,0	45,1	45,1
24	38,1	41,1	45,9	52,1	56,0	21,9	32,8	58,0	33,0	51,1	53,5	33,0	51,1	51,1
26 (Ø)	41,3	44,3	49,1	56,6	61,3	25,7	32,8	62,5	35,0	51,1	58,0	35,0	51,1	51,1
28 (Ø)	44,5	47,5	52,3	63,0	64,5	26,9	33,8	65,5	34,5	54,1	61,0	34,5	54,1	54,1
30 (Ø)	47,6	50,7	55,6	75,5	80,2	29,2	34,4	69,0	36,0	57,4	64,5	36,0	57,4	57,4
32 (Ø)	50,8	53,8	58,5	75,5	80,2	29,2	34,4	72,0	37,5	57,4	67,5	37,5	57,4	57,4
34 (Ø)	54,0	57,0	61,8	75,5	80,2	29,2	34,4	75,5	39,0	57,4	71,0	39,0	57,4	57,4

DRAWN	K.WINCZURA	DATE	17/09/2015	<p>3RD ANGLE PROJECTION NOT TO SCALE</p> <p>UNLESS OTHERWISE SPECIFIED ALL DIMENSIONS IN MILLIMETRES</p> <p>GENERAL TOL LINEAR +/-0,25MM ANGULAR +/- 1°</p>
CHECKED		DATE	17/09/2015	
APPROVED	K.SHEPPARD	DATE	17/09/2015	
APPROVED	H.SMITH	DATE	17/09/2015	

TITLE:
BANDING BACKSHELL

ASSY USED ON:
MIL-DTL-26482 SERIES II / MIL-DTL-83723 SERIES I & III



REVISIONS			
LTR	DESCRIPTION	DATE	APPROVED
E	REVISED PER ECO-15-03261	17/09/2015	H.SMITH
F	REVISED PER ECO-15-016545	17/11/2015	H.SMITH

TE CONNECTIVITY - POLANCO LTD RESERVES THE RIGHT TO AMEND THIS DRAWING AND THE INFORMATION SET FORTH HEREON AT ANY TIME. USERS SHOULD INDEPENDENTLY EVALUATE THE SUITABILITY OF THE PRODUCT FOR THEIR APPLICATION.

TE CAGE CODE: 06090
POLANCO/TE CAGE CODE: U5792

DRAWING NO: **BND54A**

DRAWING REV: **F**

SHT **3**